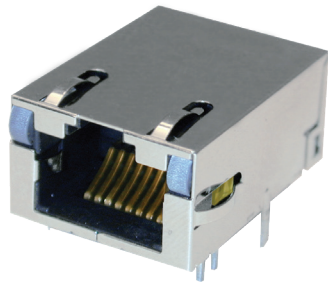
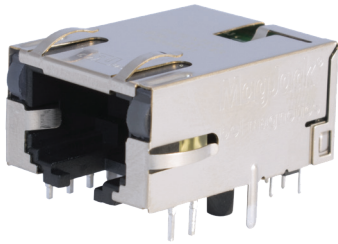


Automotive Ethernet ICMs

Single Port 10/100BaseT and 1GBaseT MagJack® ICMs

Bel Magnetic Solutions' Automotive Ethernet ICM's allow customers to upgrade existing CAN bus signaling with Ethernet signaling and cabling styles for features like driver-assist radar, infotainment, cameras and programmable lighting.

Ethernet is both faster in transmission speed and lighter in cable weight – driving the current trend of innovation and cost reductions in next generation vehicles. Bel's Automotive Ethernet ICM's are the first SAE/USCAR2-6 compatible products in production – offering an operating temperature range up to 100°, along with vibration withstand and sealing requirements.



Features & Benefits

- SAE/USCAR2-6 compatible
- Operating temperature range up to 100°C
- Approved by Marvell, Intel and Broadcom
- Can be used in Automotive-Ethernet applications
- Compatible with standard automotive-grade transceivers for worry-free use

Specifications

- Meets all IEEE 802.3 10/100Base-T electrical requirements including RL, IL, Hi-pot and Common Mode parameters
- Operating temperature range of -40°C to 100°C
- SAE/USCAR2-6 compatible temperature range, vibration withstand and sealing requirements
- 100% Hi-pot tested in production
- Low halogen design
- UL recognized
- 50 micro-inches of gold-plated contacts as required by the TIA 1096/ FCC 47, Part 68
- Lead-free wave-solder compatible
- RoHS 6/6 compliant



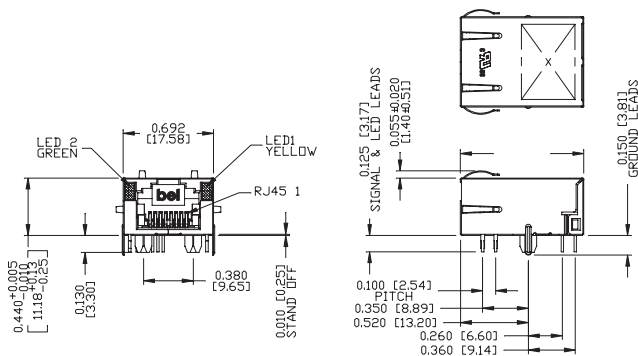
Applications

- Automotive Ethernet
- IEEE 802.3bp and related standards
- Automotive based media converters
- Automotive based Ethernet gateways
- Automotive based multiplexers
- RJ45 connectors compatible with the SAE/USCAR2-6 requirements
- High-temperature applications where the operating temperature can reach a maximum of 100°C

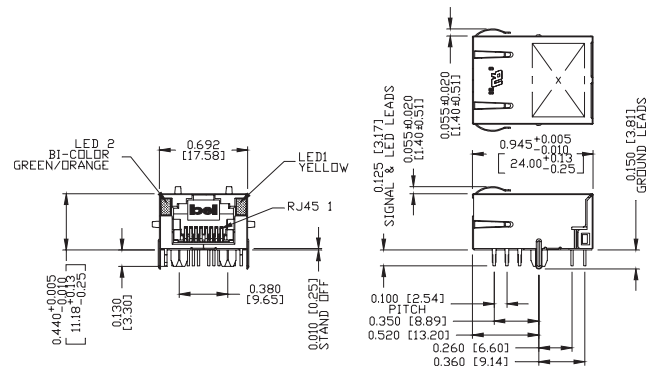
Part Numbers

| Bel Part Number | Speed | Plug Tab | Port Count | Operating Temperature | LED Type |
|-----------------|--------------|----------|------------|-----------------------|----------|
| A829-1A1T-91B | 10/100Base-T | Up | 1x1 | -40 to 100°C | Y/G |
| A836-1A1T-91B | 10/100Base-T | Down | 1x1 | -40 to 100°C | Y/G |
| A829-1J1T-KM | 1GBase-T | Up | 1x1 | -40 to 100°C | Y/GO |
| 2250548-1 | 1GBase-T | Up | 1x1 | -40 to 100°C | Y/GO |

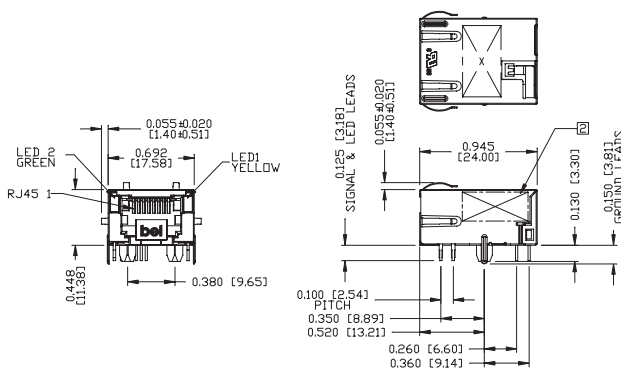
A829-1A1T-91B



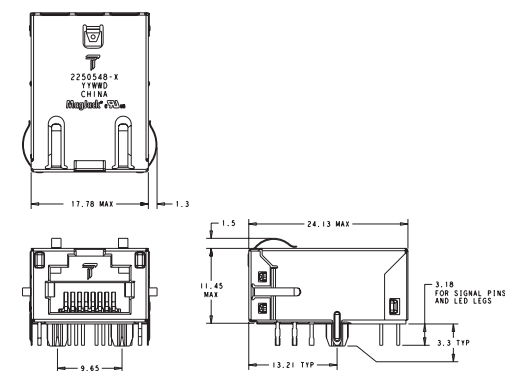
A829-1J1T-KM



A836-1A1T-91B



2250548-1



Bel Magnetic Solutions
12700 Stowe Drive, Suite 200
Poway, CA 92064 USA

+1 858.676.9650
techhelp@belf.com
belfuse.com/magnetic-solutions