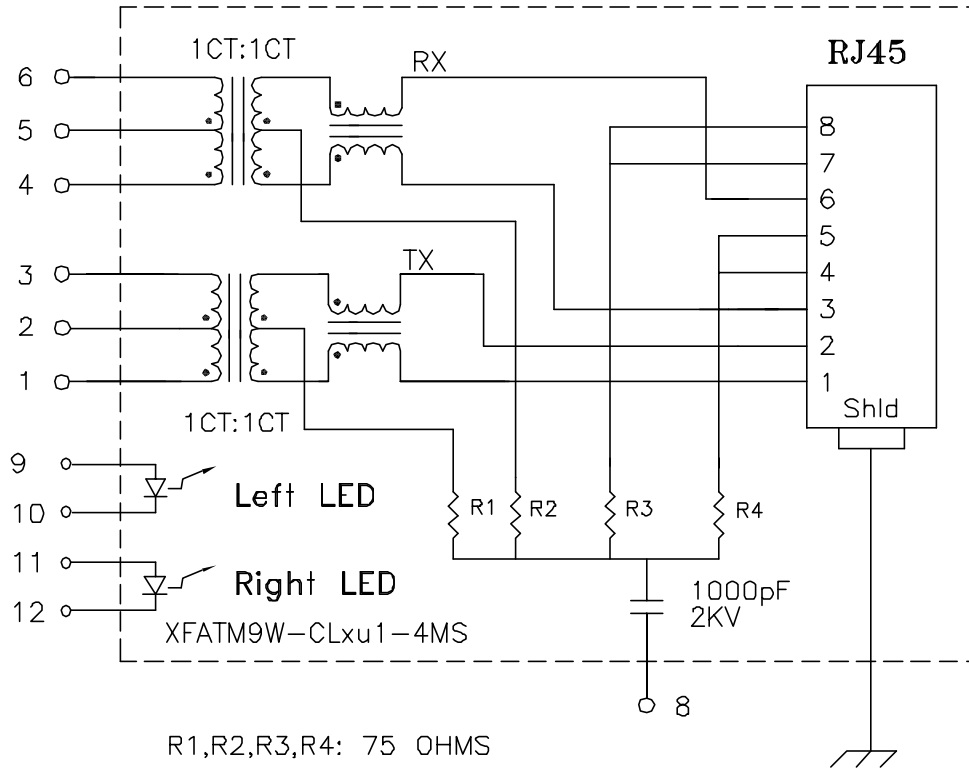


Schematic:



Electrical Specifications: @25°C

- Isolation Voltage: 1500 Vrms (Input to Output)
- Isolation Voltage: 500 Vrms (P1+2+3 to P4+5+6)
- Turns Ratio: TX 1CT:1CT ±3% RX 1CT:1CT ±3%
- CABLE SIDE OCL: 350uH Minimum @100KHz 100mV 8mADC
- Cw/w: 27pF Typical @100KHz 100mV
- Insertion Loss (300KHz-100MHz): -1.0dB Minimum
- Return Loss: @30MHz -18dB Minimum
- @80MHz -12dB Minimum

Notes:

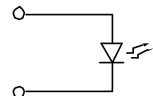
1. Solderability: Leads shall meet MIL-STD-202, Method 208D for solderability.
2. Flammability: UL94V-0
3. ASTM oxygen index: > 28%
4. Insulation System: Class F 155°C. UL file E151556
5. Operating Temperature Range: All listed parameters are to be within tolerance from 0°C to +70°C
6. Storage Temperature Range: -55°C to +125°C
7. Aqueous wash compatible
8. Terminal Plating: 30ul of Gold over 40ul of Nickel

Complete the Combo P/N as follows:

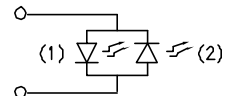
Replace 'x' & 'u' in the part number with one of the LED color letters:

- Y=Yellow
- G=Green
- A=Amber
- R=Red
- N=Yellow(1)/Green(2) Bicolor
- M=Green(1)/Yellow(2) Bicolor
- 'x' = Left LED Color
- 'u' = Right LED Color

Single Color LED:



Bi-Color LED:



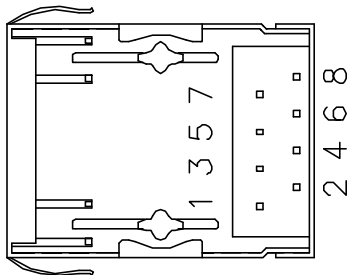
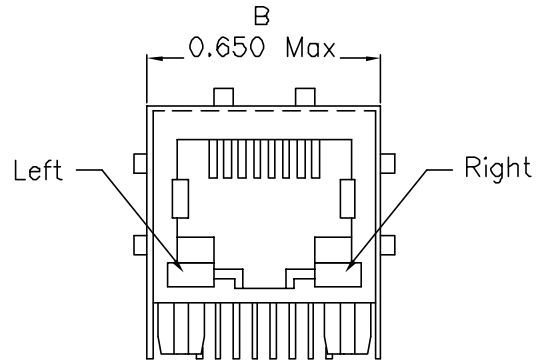
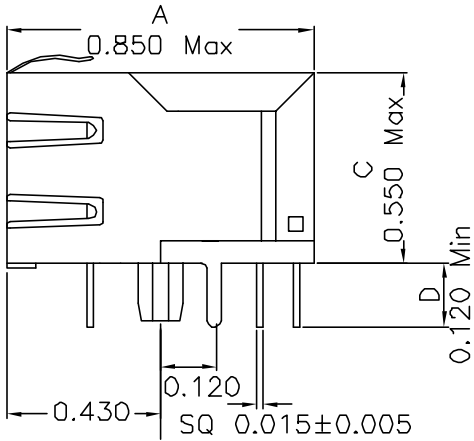
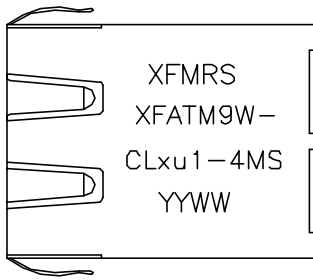
DOC. REV: A/1

PROPRIETARY:

Document is the property of XFMRs Group & is not allowed to be duplicated without authorization.

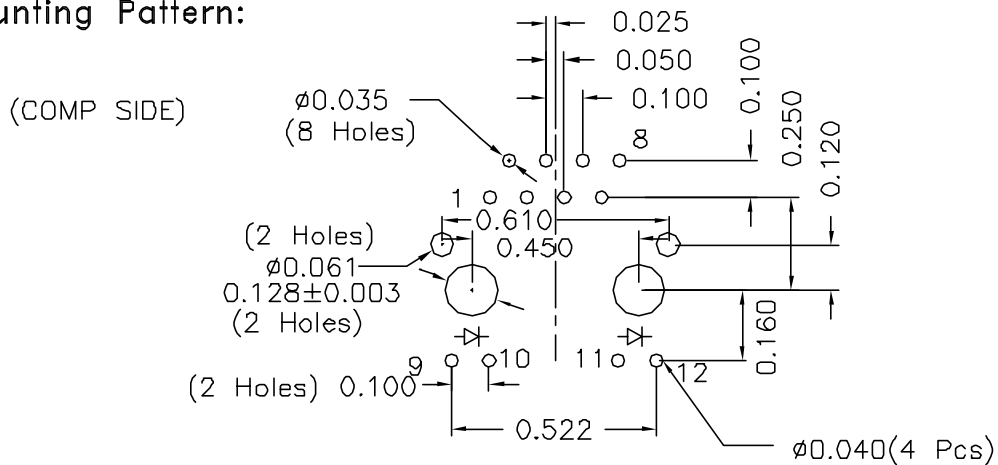
XFMRs Inc.		Title: SINGLE PORT COMBO		
		UNLESS OTHERWISE SPECIFIED TOLERANCES: .xxx ±0.010		REV. A
Dimensions in Inch		P/N: XFATM9W-CLxu1-4MS		
		DWN.	廖玉坤	Apr-21-04
		CHK.	李清儿	Apr-21-04
SHEET 1 OF 2		APP.	BW	Apr-21-04

Mechanical Dimensions:



(BOTTOM VIEW)

Mounting Pattern:



DOC REV: A/1

PROPRIETARY:

Document is the property of XFMRS Group & is not allowed to be duplicated without authorization.

XFMRS Inc.		Title: Mechanical Dimensions For CLxu1-4MS Series	
UNLESS OTHERWISE SPECIFIED	P/N: XFATM9W-CLxu1-4MS	REV. A	
TOLERANCES:	DWN.	Juan Mao	Apr-21-04
.xxx ±0.010	CHK.	YK Liao	Apr-21-04
Dimensions in Inch	APP.	BW	Apr-21-04
SHEET 2 OF 2			