



801-012

**Series 801 Mighty Mouse Hermetic Receptacle  
Double-Start ACME Threads How to Order Information**



**Series 801 Hermetic Receptacles** feature 304L stainless steel shells, fused vitreous glass insulators and Alloy 52 iron alloy contacts.

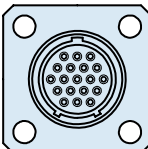
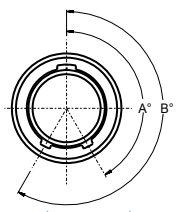
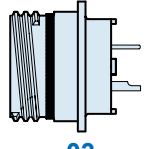
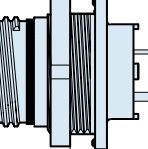
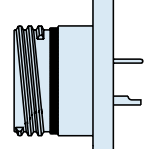
**1 X 10<sup>-7</sup> cc/second** maximum helium leak rate.

**Four Shell Styles:** solder mount, jam nut, square flange or weld Mount.

**Solder Cup Contacts** or **PC Tail Contacts** for attachment to flexible or rigid circuits or rigid boards.

C

**Series 801 Solder Mount Hermetic**

HOW TO ORDER																										
Sample Part Number																										
801-012	-03	Z1	7-10	P	A																					
Series	Shell Style	Shell Material / Finish	Shell Size/Insert Arrangement	Contact Type	Shell Key Position																					
<b>801-012</b> Hermetic Receptacles with Printed Circuit Board Contacts or Solder Cup Contacts	 <b>-02</b> Square Flange	<b>Z1</b> Stainless Steel / Passivated  <b>ZL</b> Stainless Steel / Nickel Plated  *Titanium and Inconel® shell materials are available. Consult factory for ordering information.	See Page C-4 for Contact Arrangements	<b>P</b> Pin, Solder Cup  <b>C</b> Pin, PC Tail  <b>S</b> Socket, Solder Cup  <b>D</b> Sockets, PC Tail	<b>A</b> Normal <b>B</b> Pos. B <b>C</b> Pos. C <b>D</b> Pos. D <b>E</b> Pos. E <b>F</b> Pos. F  																					
	 <b>-03</b> Solder Mount																									
	 <b>-07</b> Jam Nut																									
	 <b>-13</b> Weld Mount																									
					<table border="1"> <thead> <tr> <th></th> <th>A°</th> <th>B°</th> </tr> </thead> <tbody> <tr> <td>A</td> <td>150°</td> <td>210°</td> </tr> <tr> <td>B</td> <td>75°</td> <td>210°</td> </tr> <tr> <td>C</td> <td>95°</td> <td>230°</td> </tr> <tr> <td>D</td> <td>140°</td> <td>275°</td> </tr> <tr> <td>E</td> <td>75°</td> <td>275°</td> </tr> <tr> <td>F</td> <td>95°</td> <td>210°</td> </tr> </tbody> </table>		A°	B°	A	150°	210°	B	75°	210°	C	95°	230°	D	140°	275°	E	75°	275°	F	95°	210°
	A°	B°																								
A	150°	210°																								
B	75°	210°																								
C	95°	230°																								
D	140°	275°																								
E	75°	275°																								
F	95°	210°																								

Dimensions in Inches (millimeters) are subject to change without notice.

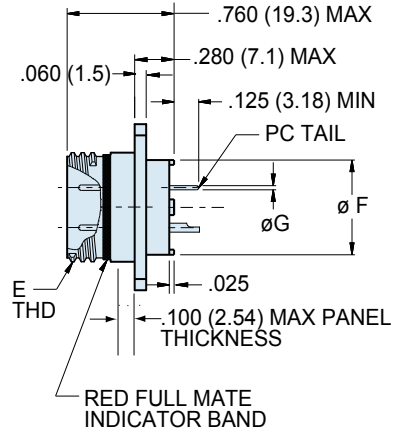
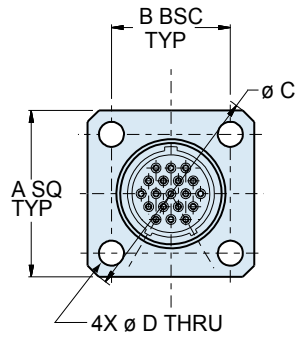
801-012-02

Series 801 Mighty Mouse Hermetic Receptacles  
 Double-Start ACME Threads • Square Flange  
 Connector Dimensions



Series 80  
 Mighty Mouse

HERMETIC LEAK RATE MOD CODES	
Designator	Required Leak Rate
-585A	1 x 10 <sup>-10</sup> cc Helium per second
-585B	1 x 10 <sup>-9</sup> cc Helium per second
-585C	1 x 10 <sup>-8</sup> cc Helium per second

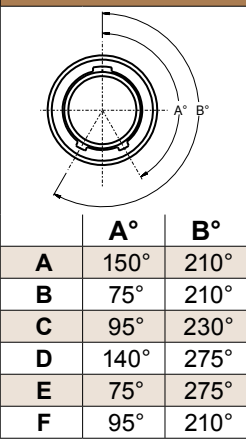


C

DIMENSIONS

Shell Size	A SQ		B BSC		Ø C		Ø D		E Thread	Ø F		Ø G Tail Dia
	In.	mm.	In.	mm.	In.	mm.	In. ±.003	mm. ± 0.08		In.	mm.	
5	.530	13.46	.363	9.22	.680	17.27	.093	2.36	.3125-.05P-1L-2A	.244	6.20	#23 .018/.022 (0.46/0.56)
6	.590	14.99	.423	10.74	.750	19.05	.093	2.36	.375-.05P-1L-2A	.330	8.38	
7	.650	16.51	.483	12.27	.850	21.59	.093	2.36	.4375-.05P-1L2A	.432	10.97	
8	.712	18.08	.545	13.84	.938	23.83	.093	2.36	.5000-.05P-1L2A	.493	12.52	
9	.850	21.59	.607	15.42	1.125	28.58	.128	3.25	.5625-.05P-1L-2A	.551	14.00	#16 .060/.064 (1.52/1.63)
10	.890	22.61	.670	17.02	1.188	30.18	.128	3.25	.6250-.05P-1L2A	.620	15.75	
11	.935	23.75	.715	18.16	1.250	31.75	.128	3.25	.6875-.05P-1L2A	.662	16.81	
13	1.030	26.16	.812	20.62	1.375	34.93	.128	3.25	.8125-.1P-.2L-2A	.703	17.86	#12 .092/.096 (2.34/2.44)
16	1.219	31.96	.981	24.92	1.625	41.28	.128	3.25	1.000-.1P-.2L-2A	.863	21.92	
17	1.280	32.51	1.060	26.92	1.700	43.18	.128	3.25	1.062-.1P-.2L-2A	.912	23.16	
19	1.432	36.37	1.191	30.25	1.900	48.26	.128	3.25	1.1875-.1P-.2L-2A	1.018	25.86	
21	1.565	39.75	1.322	33.58	2.100	53.34	.128	3.25	1.3125-.1P-.2L-2A	1.170	29.72	

KEY POSITIONS

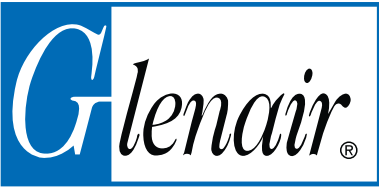


Dimensions in Inches (millimeters) are subject to change without notice.

© 2013 Glenair, Inc.

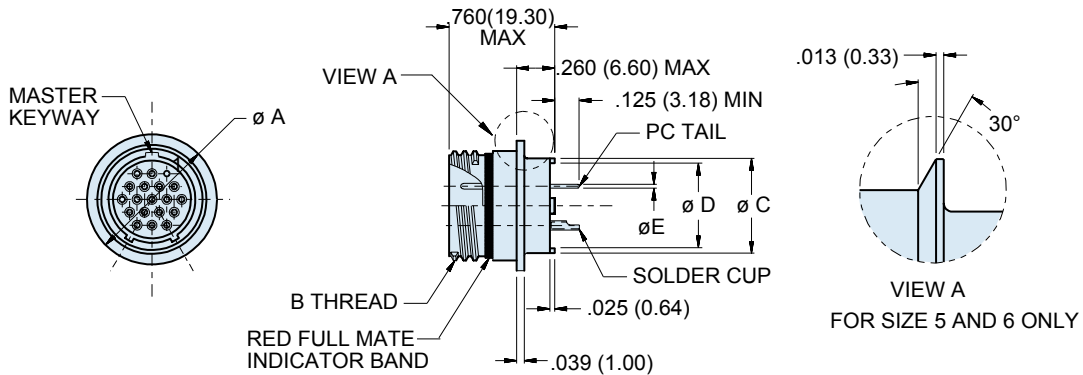
U.S. CAGE Code 06324

Printed in U.S.A.



801-012-03

Series 801 Mighty Mouse Hermetic Receptacles  
Double-Start ACME Threads • Solder Mount  
Connector Dimensions



**Solder Mount Hermetic**  
801-012-03

**DIMENSIONS**

Shell Size	Ø A		B Thread	Ø C		Ø D		Ø E Tail Dia.
	In.	mm.		In.	mm.	In.	mm.	
5	.395	10.03	.3125-.05P-.1L-2A	.244	6.20	.197	5.00	#23 .018/.022 (0.46/0.56)
6	.455	11.56	.375-.05P-.1L-2A	.330	8.38	.236	5.99	
7	.520	13.21	.4375-.05P-.1L-2A	.432	11.97	.324	8.23	#20 .024/.028 (0.61/0.71)
8	.580	14.73	.5000-.05P-.1L-2A	.493	12.52	.390	9.91	
9	.645	16.38	.5625-.05P-.1L-2A	.551	14.00	.444	11.28	#16 .060/.064 (1.52/1.63)
10	.705	18.01	.6250-.05P-.1L-2A	.620	15.75	.520	13.21	
11	.770	19.56	.6875-.05P-.1L-2A	.662	16.81	.557	14.15	#12 .092/.096 (2.34/2.44)
13	.895	22.73	.8125-.1P-.2L-2A	.703	17.86	.596	15.14	
16	1.080	27.43	1.000-.1P-.2L-2A	.863	21.92	.756	19.20	
17	1.145	29.08	1.062-.1P-.2L-2A	.912	23.16	.805	20.45	
19	1.270	32.26	1.1875-.1P-.2L-2A	1.018	25.86	.910	23.11	
21	1.395	35.43	1.3125-.1P-.2L-2A	1.170	29.72	1.061	26.95	

**KEY POSITIONS**

	A°	B°
A	150°	210°
B	75°	210°
C	95°	230°
D	140°	275°
E	75°	275°
F	95°	210°

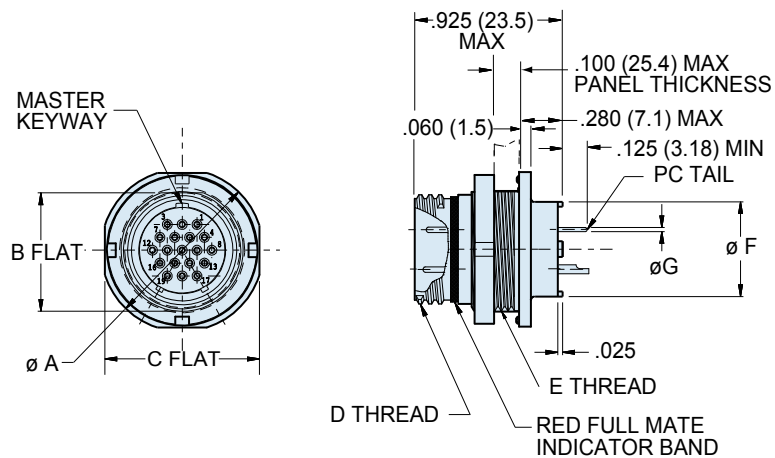
Dimensions in Inches (millimeters) are subject to change without notice.

801-012-07

Series 801 Mighty Mouse Hermetic Receptacle  
with Double-Start ACME Threads • Jam-Nut Mount  
Connector Dimensions



Series 80  
Mighty Mouse



C

DIMENSIONS											
Shell Size	$\varnothing A$		B Flat		C Flat		D Thread	E Thread UN-2A	$\varnothing F$		$\varnothing G$ Tail Dia.
	In.	mm.	In.	mm.	In.	mm.			In.	mm.	
5	.575	14.61	.350	8.89	.545	13.84	.3125-.05P-.1L-2A	.375-28	.244	6.20	#23 .018/.022 (0.46/0.56)
6	.635	16.13	.410	10.41	.595	15.11	.375-.05P-.1L-2A	.4375-28	.330	8.38	
7	.755	19.18	.536	13.61	.723	18.36	.4375-.05P-.1L2A	.5625-32	.432	10.97	
8	.755	19.18	.536	13.61	.723	18.36	.5000-.05P-.1L-2A	.5625-32	.493	12.52	
9	.830	21.08	.596	15.14	.790	20.07	.5625-.05P-.1L-2A	.625-28	.551	14.00	
10	.890	22.61	.658	16.71	.855	21.72	.6250-.05P-.1L-2A	.6875-28	.620	15.75	
11	.960	24.38	.718	18.24	.925	23.50	.6875-.05P-.1L-2A	.7500-28	.662	16.81	
13	1.078	27.38	.845	21.46	1.044	26.52	.8125-.1P-.2L-2A	.875-28	.703	17.86	
16	1.264	32.11	1.022	25.96	1.230	31.24	1.000-.1P-.2L-2A	1.0625-20	.863	21.92	
17	1.325	33.66	1.096	27.84	1.290	32.77	1.062-.1P-.2L-2A	1.1250-28	.912	23.16	
19	1.450	36.83	1.225	31.11	1.415	35.94	1.1875-.1P-.2L-2A	1.2500-28	1.018	25.86	
21	1.625	41.28	1.345	34.16	1.577	40.06	1.3125-.1P-.2L-2A	1.375-28	1.170	29.72	

KEY POSITIONS		
	A°	B°
A	150°	210°
B	75°	210°
C	95°	230°
D	140°	275°
E	75°	275°
F	95°	210°

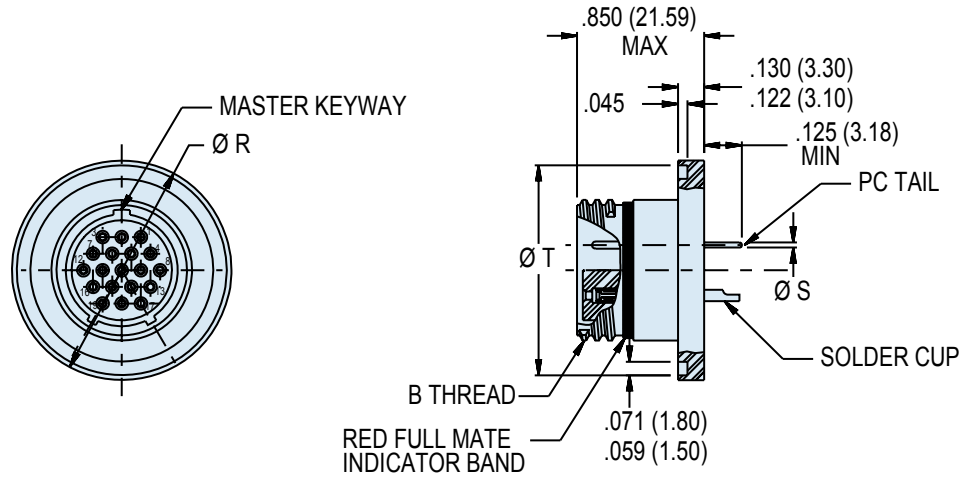
SERIES 801 JAM NUT PANEL CUTOUT				
Shell Size	A Flat		$\varnothing B$	
	In. $\pm .002$	mm. $\pm 0.05$	In.	mm.
5	.356	9.04	.385	9.78
6	.416	10.57	.448	11.37
7	.542	13.77	.573	14.55
8	.542	13.77	.573	14.55
9	.602	15.29	.635	16.13
10	.666	16.92	.698	17.73
11	.726	18.44	.760	19.30
13	.851	21.62	.885	22.48
16	1.028	26.11	1.075	27.31
17	1.102	27.99	1.135	28.83
19	1.233	31.32	1.260	32.00
21	1.351	34.32	1.385	35.18

Dimensions in Inches (millimeters) are subject to change without notice.



801-012-13

Series 801 Mighty Mouse Hermetic Receptacle  
with Double-Start ACME Threads • Weld Mount  
Connector Dimensions



DIMENSIONS

Shell Size	Ø R		Ø T		Ø S Tail Dia.
	In.	mm.	In.	mm.	
5	.600	15.24	.555	14.10	<b>#23</b> .018/.022 (0.46/0.56) <b>#20</b> .024/.028 (0.61/0.71) <b>#16</b> .060/.064 (1.52/1.63) <b>#12</b> .092/.096 (2.34/2.44)
6	.665	16.89	.620	15.75	
7	.730	18.54	.685	17.40	
8	.788	20.02	.745	18.92	
9	.912	23.16	.869	22.07	
10	.975	24.77	.933	23.70	
11	1.062	26.97	1.019	25.88	
13	1.162	29.51	1.119	28.42	
16	1.288	32.72	1.245	31.62	
17	1.360	34.54	1.315	33.40	
19	1.495	37.97	1.452	36.88	
21	1.625	41.28	1.580	40.13	

KEY POSITIONS

	A°	B°
A	150°	210°
B	75°	210°
C	95°	230°
D	140°	275°
E	75°	275°
F	95°	210°

SERIES 801 JAM NUT PANEL CUTOUT

Shell Size	Ø U		Ø V Min	
	In. ± .002	mm. ± 0.05	In.	mm.
5	.606	15.39	.180	4.57
6	.671	17.04	.240	6.10
7	.736	18.69	.330	8.38
8	.794	20.17	.390	9.91
9	.918	23.32	.455	11.56
10	.981	24.92	.520	13.21
11	1.068	27.13	.580	14.73
13	1.168	29.67	.610	15.49
16	1.294	32.87	.775	19.69
17	1.366	34.70	.825	20.96
19	1.501	38.13	.930	23.62
21	1.631	41.43	1.080	27.43

Dimensions in Inches (millimeters) are subject to change without notice.