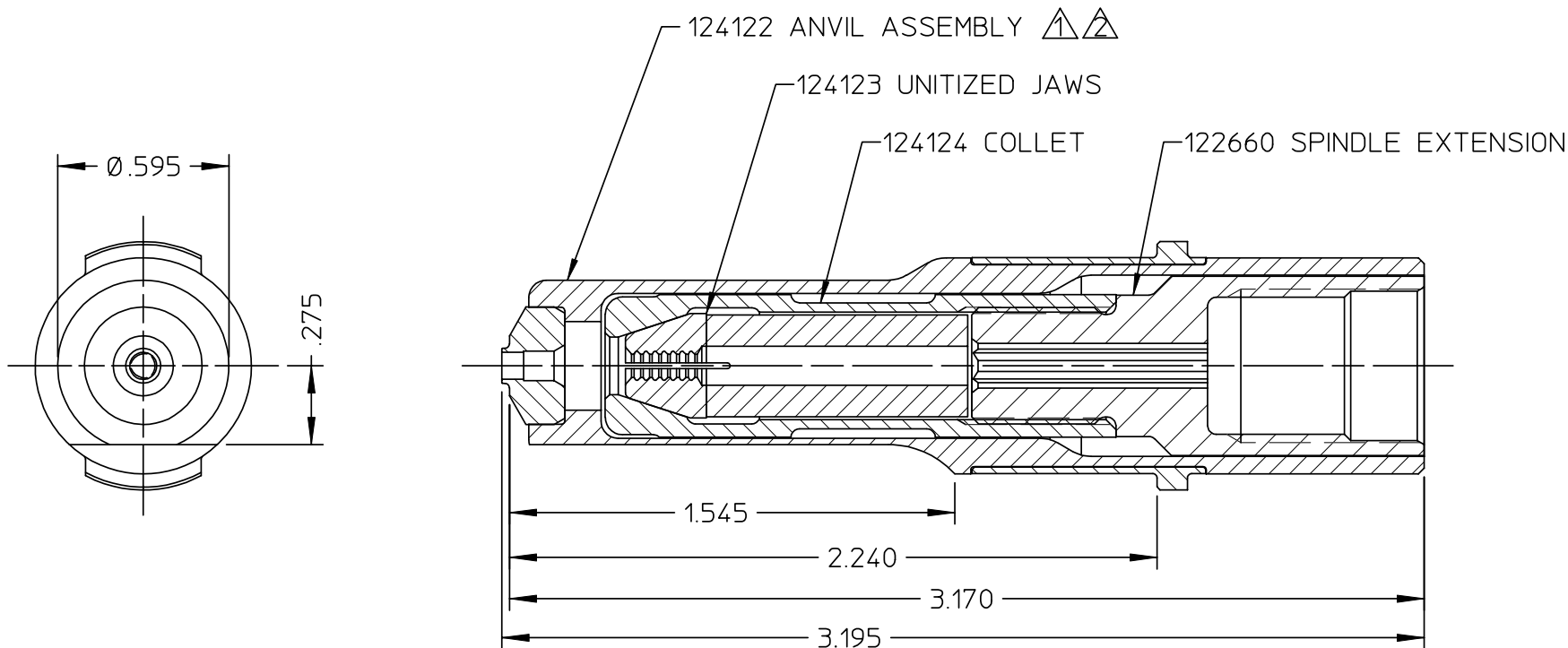


DATA SHEET



Alcoa Fastening Systems

Commercial Products
1 Corporate Drive, Kingston, NY 12401

NOSE TYPE:	NON-SELF-RELEASING
FASTENER TYPE:	-04 BR
TOOL(S):	202, 212, 230, 352, 2400

Notes:	Product Revision: A
--------	----------------------------

US Patent:	Date: 06/18/03
------------	----------------

NOTES:

△ ANVIL ASSEMBLY 124122 CONSISTS OF:
ANVIL HOLDER ASSEMBLY 124121 AND
ANVIL INSERT 123794.

△ ANVIL HOLDER ASSEMBLY 124121 CONSISTS OF:
ANVIL HOLDER 124120 AND
RETAINER 120738.

99-2725

Part Number