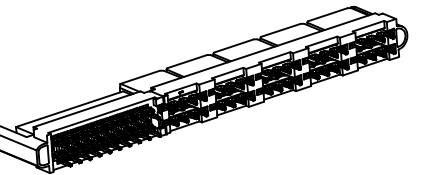
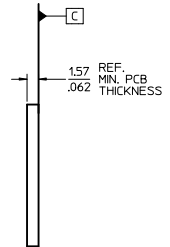
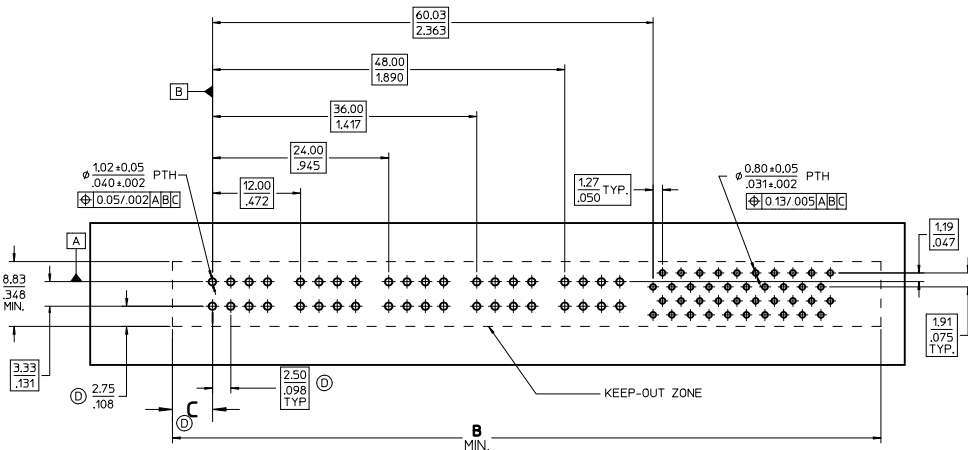
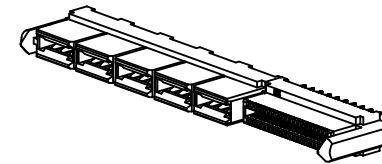


- NOTES:
1. MATERIAL: HOUSING: LCP, 94-V0, COLOR: BLACK.  
POWER CONTACTS: COPPER ALLOY.  
SIGNAL CONTACTS: MODIFIED TIN BRASS.
  2. FINISH: SELECT GOLD - 0.75  $\mu$ M/30  $\mu$  INCHES  
SELECTED TIN - 2.50  $\mu$ M/100  $\mu$  INCHES  
OR SELECTED TIN-LEAD - 1.91  $\mu$ M/75  $\mu$  INCHES  
BOTH OVER NICKEL - 1.25  $\mu$ M/50  $\mu$  INCHES
  3. POWER TERMINALS ARE LUBRICATED IN CONTACT AREA.
  4. PARTS ARE RoHS COMPLIANT.
  5. MATES TO MOLEX P/N 45985-SERIES OR EDGE CARD 157/062.
  6. PRODUCT SPECIFICATION PS-46114-001.
  7. PACKAGING: PER PK-46114-003.



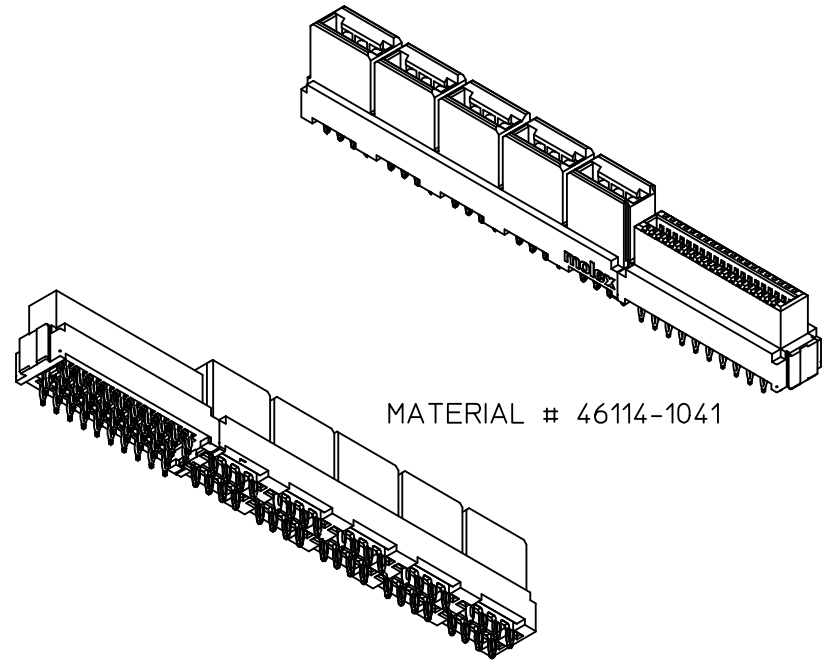
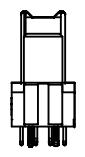
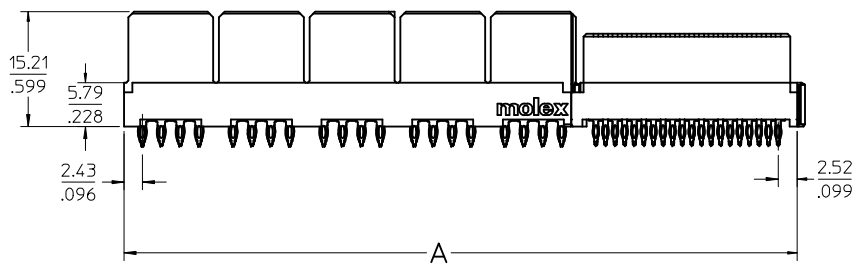
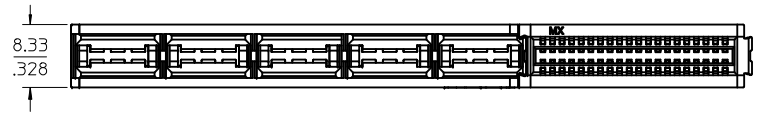
MATERIAL # 46114-1040 SHOWN  
SCALE 2:1



PCB COMPONENT SIDE

ADDED VIEW DEC NO: LCP2012-0319 DRAWN: MKARADIMAS 2011/08/04 CHKD: APPR: APATEL 2011/08/15 REV:	QUALITY SYMBOLS	GENERAL TOLERANCES (UNLESS SPECIFIED)	DIMENSION STYLE	SCALE	DESIGN UNITS	THIRD ANGLE PROJECTION	
		mm INCH	MM ONLY	2:1	METRIC	☉	
		4 PLACES ± --- ± --- 3 PLACES ± --- ± --- 2 PLACES ± 0.13 ± --- 1 PLACE ± 0.25 ± --- ANGULAR ± 1/2°	DRAWN BY DATE MKARADIMAS 2011/08/04 CHECKED BY DATE	TITLE LPH VERTICAL RECEPTACLE			
		DRAFT WHERE APPLICABLE MUST REMAIN WITHIN DIMENSIONS	APPROVED BY DATE	MATERIAL NO. SEE CHART	DOCUMENT NO. SD-46114-100	MOLEX INCORPORATED	
			SHEET NO. 1 OF 3		THIS DRAWING CONTAINS INFORMATION THAT IS PROPRIETARY TO MOLEX INCORPORATED AND SHOULD NOT BE USED WITHOUT WRITTEN PERMISSION		

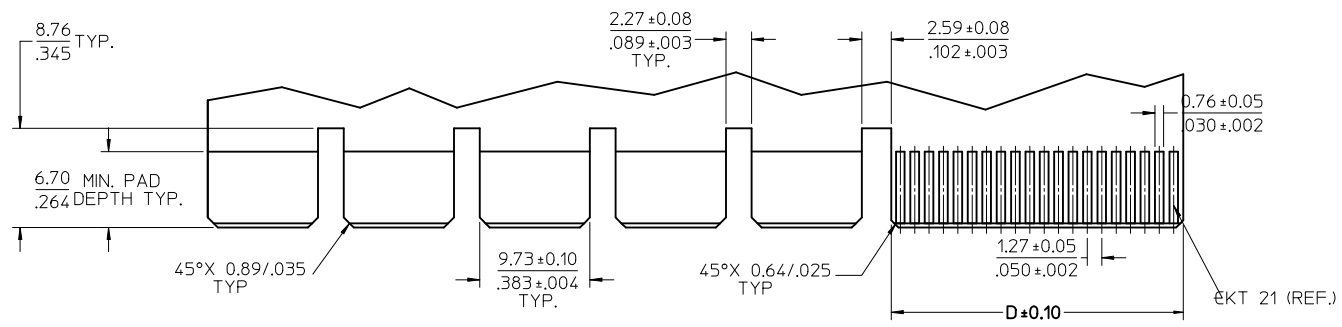
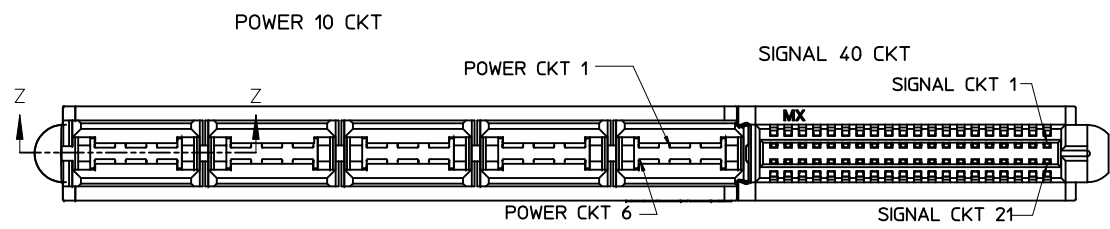
NO OF SIGNALS	MATERIAL NUMBER	COMPLIANT PIN PLATING	DIM A	DIM B	DIM C
12	46114-1013	TIN	71.34/2.809	71.84/2.828	2.69/106
	46114-1113	TIN-LEAD			
16	46114-1017	TIN	73.88/2.909	74.38/2.928	
	46114-1117	TIN-LEAD			
20	46114-1021	TIN	76.42/3.009	76.92/3.028	
	46114-1121	TIN-LEAD			
24	46114-1025	TIN	78.96/3.109	79.46/3.128	
	46114-1125	TIN-LEAD			
28	46114-1029	TIN	81.50/3.209	82.00/3.228	
	46114-1129	TIN-LEAD			
32	46114-1033	TIN	84.04/3.309	84.54/3.328	
	46114-1133	TIN-LEAD			
36	46114-1037	TIN	86.58/3.409	87.08/3.428	
	46114-1137	TIN-LEAD			
40	46114-1041	TIN	89.12/3.509	89.62/3.528	
	46114-1141	TIN-LEAD			



MATERIAL # 46114-1041

SEE SHT 1 EC NO: UCP2012-0319 DRW:MKARADIMAS 2011/08/04 CHKD: APPR:APATEL 2011/08/15	QUALITY SYMBOLS	GENERAL TOLERANCES (UNLESS SPECIFIED)		DIMENSION STYLE <b>MM ONLY</b>	SCALE <b>1:1</b>	DESIGN UNITS <b>METRIC</b>	THIRD ANGLE PROJECTION
	REV D2		mm	INCH	DRAWN BY MKARADIMAS	DATE 2011/08/04	TITLE <b>LPH VERTICAL RECEPTACLE</b>
		4 PLACES	± ---	± ---	CHECKED BY	DATE	MOLEX INCORPORATED MATERIAL NO. <b>SD-46114-100</b> DOCUMENT NO.
		3 PLACES	± ---	± ---	APPROVED BY	DATE	
2 PLACES	± 0.13	± ---	DRAFT WHERE APPLICABLE MUST REMAIN WITHIN DIMENSIONS SEE CHART		THIS DRAWING CONTAINS INFORMATION THAT IS PROPRIETARY TO MOLEX INCORPORATED AND SHOULD NOT BE USED WITHOUT WRITTEN PERMISSION		
		1 PLACE	± 0.25	± ---			

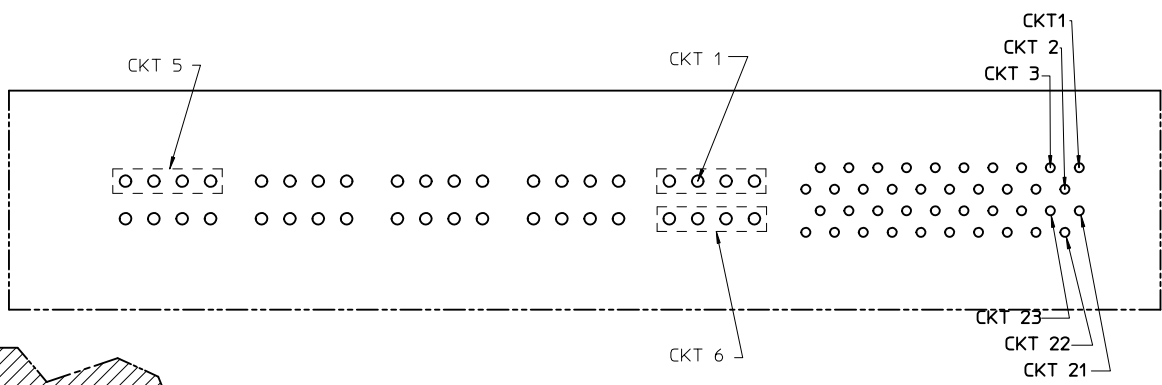
NO OF SIGNAL	DIM. D
12	8.00/.315
16	10.54/.415
20	13.08/.515
24	15.62/.615
28	18.16/.715
32	20.70/.817
36	23.24/.915
40	25.78/1.015



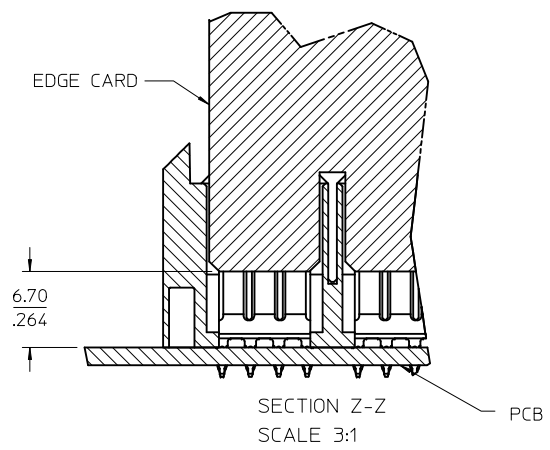
RECOMMENDED EDGE CARD LAYOUT

EDGE CARD THICKNESS:  
1.57/.062

PLATING:  
GOLD 30 μ INCHES MIN.  
OVER 150 μ INCHES NICKEL.



PCB LAYOUT  
COMPONENT SIDE  
SEE SHT 1 FOR  
DIMENSIONS



SEE SHT 1 EC NO: UCP2012-0319 DRWN:MKARADIMAS 2011/08/04 CHKD: APPR:APATEL 2011/08/15 D2	QUALITY SYMBOLS	GENERAL TOLERANCES (UNLESS SPECIFIED)	DIMENSION STYLE <b>MM ONLY</b>	SCALE 3:1	DESIGN UNITS METRIC	THIRD ANGLE PROJECTION
		4 PLACES ± --- ± --- 3 PLACES ± --- ± --- 2 PLACES ± 0.13 ± --- 1 PLACE ± 0.25 ± --- ANGULAR ± 1/2°	DRAWN BY DATE MKARADIMAS 2011/08/04 CHECKED BY DATE APPROVED BY DATE	TITLE LPH VERTICAL RECEPTACLE		
		DRAFT WHERE APPLICABLE MUST REMAIN WITHIN DIMENSIONS	MATERIAL NO. SEE CHART	DOCUMENT NO. SD-46114-100	MOLEX INCORPORATED	
			SIZE THIS DRAWING CONTAINS INFORMATION THAT IS PROPRIETARY TO MOLEX INCORPORATED AND SHOULD NOT BE USED WITHOUT WRITTEN PERMISSION	SHEET NO. 3 OF 3		