

Core sets for general purpose transformers and power applicationsClamping force for A_L measurements, 200 ± 50 N.

GRADE	A_L (nH)	μ_e	AIR GAP (μm)	TYPE NUMBER
3C81	$160 \pm 3\%$	≈ 51	≈ 950	P26/16-3C81-E160
	$250 \pm 3\%$	≈ 80	≈ 560	P26/16-3C81-A250
	$315 \pm 3\%$	≈ 100	≈ 420	P26/16-3C81-A315
	$400 \pm 3\%$	≈ 127	≈ 320	P26/16-3C81-A400
	$630 \pm 3\%$	≈ 200	≈ 190	P26/16-3C81-A630
	$6700 \pm 25\%$	≈ 2130	≈ 0	P26/16-3C81
3C91 <small>des</small>	$6700 \pm 25\%$	≈ 2130	≈ 0	P26/16-3C91
3F3	$160 \pm 3\%$	≈ 51	≈ 950	P26/16-3F3-E160
	$250 \pm 3\%$	≈ 80	≈ 560	P26/16-3F3-A250
	$315 \pm 3\%$	≈ 100	≈ 420	P26/16-3F3-A315
	$400 \pm 3\%$	≈ 127	≈ 320	P26/16-3F3-A400
	$630 \pm 3\%$	≈ 200	≈ 190	P26/16-3F3-A630
	$4600 \pm 25\%$	≈ 1470	≈ 0	P26/16-3F3

Core sets of high permeability gradesClamping force for A_L measurements, 200 ± 50 N.

GRADE	A_L (nH)	μ_e	AIR GAP (μm)	TYPE NUMBER
3E27	$12000 \pm 25\%$	≈ 3820	≈ 0	P26/16-3E27

Properties of core sets under power conditions

GRADE	B (mT) at	CORE LOSS (W) at			
	H = 250 A/m; f = 25 kHz; T = 100 °C	f = 25 kHz; B = 200 mT; T = 100 °C	f = 100 kHz; B = 100 mT; T = 100 °C	f = 100 kHz; B = 200 mT; T = 100 °C	f = 400 kHz; B = 50 mT; T = 100 °C
3C81	≥ 320	≤ 0.82	–	–	–
3C91	≥ 315	–	$\leq 0.21^{(1)}$	$\leq 1.6^{(1)}$	–
3F3	≥ 315	–	≤ 0.4	–	≤ 0.65

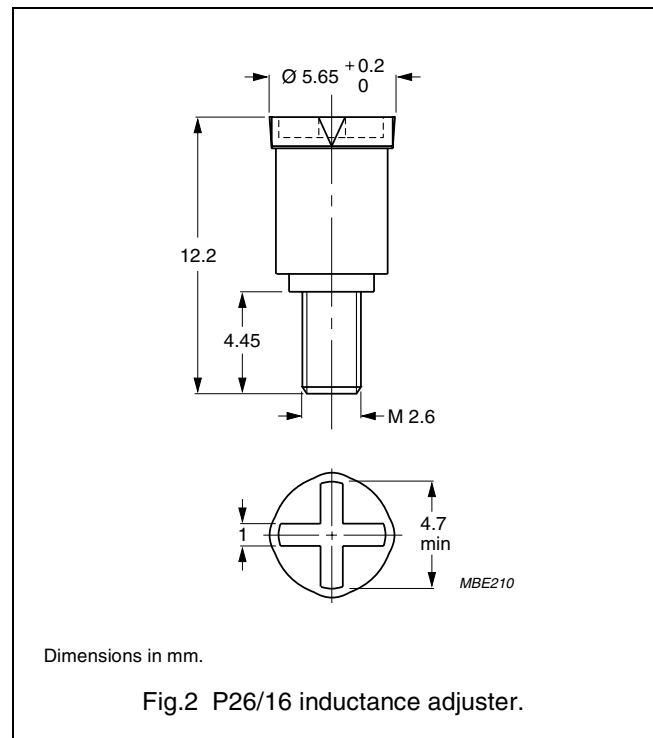
Note

1. Measured at 60 °C.

INDUCTANCE ADJUSTERS

General data

PARAMETER	SPECIFICATION
Material of head and thread	polypropylene (PP), glass fibre reinforced
Maximum operating temperature	125 °C



Inductance adjuster selection chart ^{sup} (applies to all types)

GRADE	A _L (nH)	TYPES FOR LOW ADJUSTMENT	ΔL/L ⁽¹⁾	TYPES FOR MEDIUM ADJUSTMENT	ΔL/L ⁽¹⁾	TYPES FOR HIGH ADJUSTMENT	ΔL/L ⁽¹⁾
3H3	63	–	–	–	–	ADJ-P26-RED	25
	100	–	–	–	–	ADJ-P26-RED	22
	160	–	–	ADJ-P26-RED	15	–	–
	250	ADJ-P26-RED	10	–	–	ADJ-P26-BROWN	23
	315	ADJ-P26-RED	8	–	–	ADJ-P26-BROWN	18
	400	ADJ-P26-RED	6	ADJ-P26-BROWN	13	ADJ-P26-GREY	25
	630	ADJ-P26-BROWN	8	ADJ-P26-GREY	16	–	–
	1000	ADJ-P26-BROWN	5	ADJ-P26-GREY	9	–	–
	1600	–	–	ADJ-P26-GREY	5	–	–
3D3	100	–	–	–	–	ADJ-P26-RED	21
	160	–	–	ADJ-P26-RED	14	–	–
	250	ADJ-P26-RED	9	–	–	ADJ-P26-GREY	35
	400	–	8	ADJ-P26-GREY	17	–	–

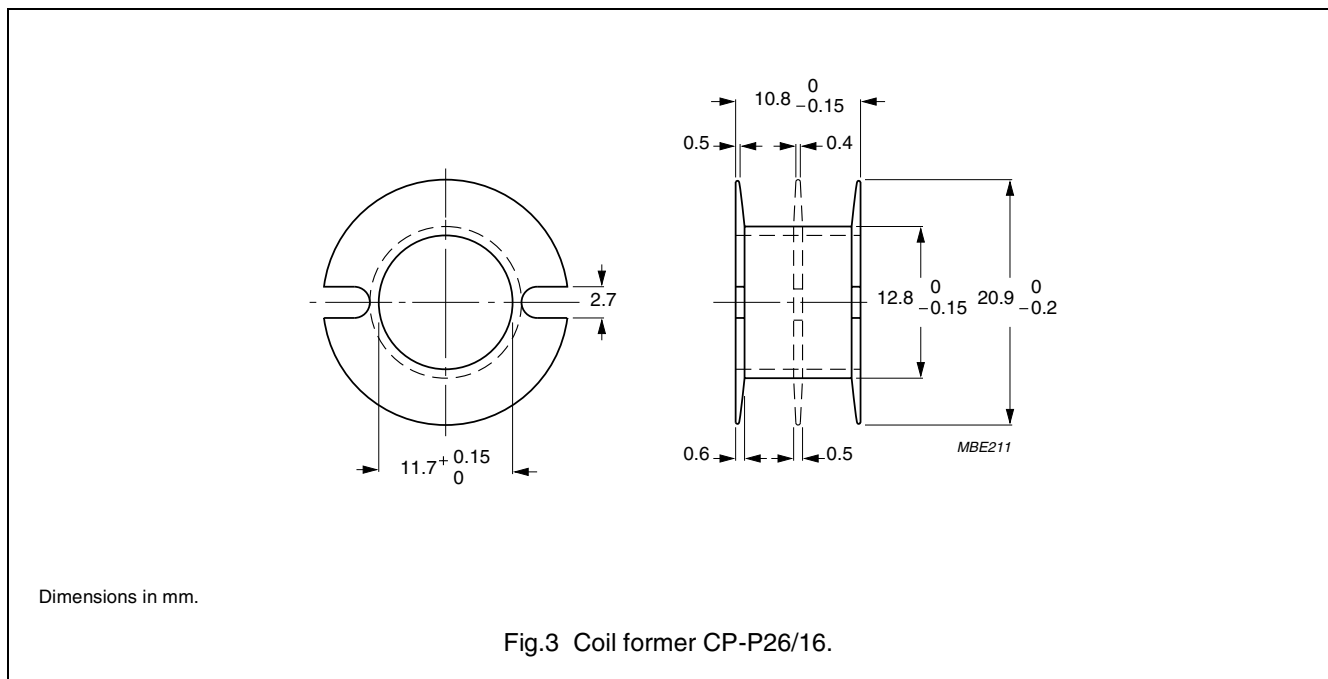
Note

1. Maximum adjustment range.

COIL FORMERS

General data for CP-P26/16 coil former

PARAMETER	SPECIFICATION
Coil former material	polybutyleneterephthalate (PBT), glass reinforced, flame retardant in accordance with "UL 94V-0"; UL file number E45329 (R)
Maximum operating temperature	155 °C, "IEC 60085", class F

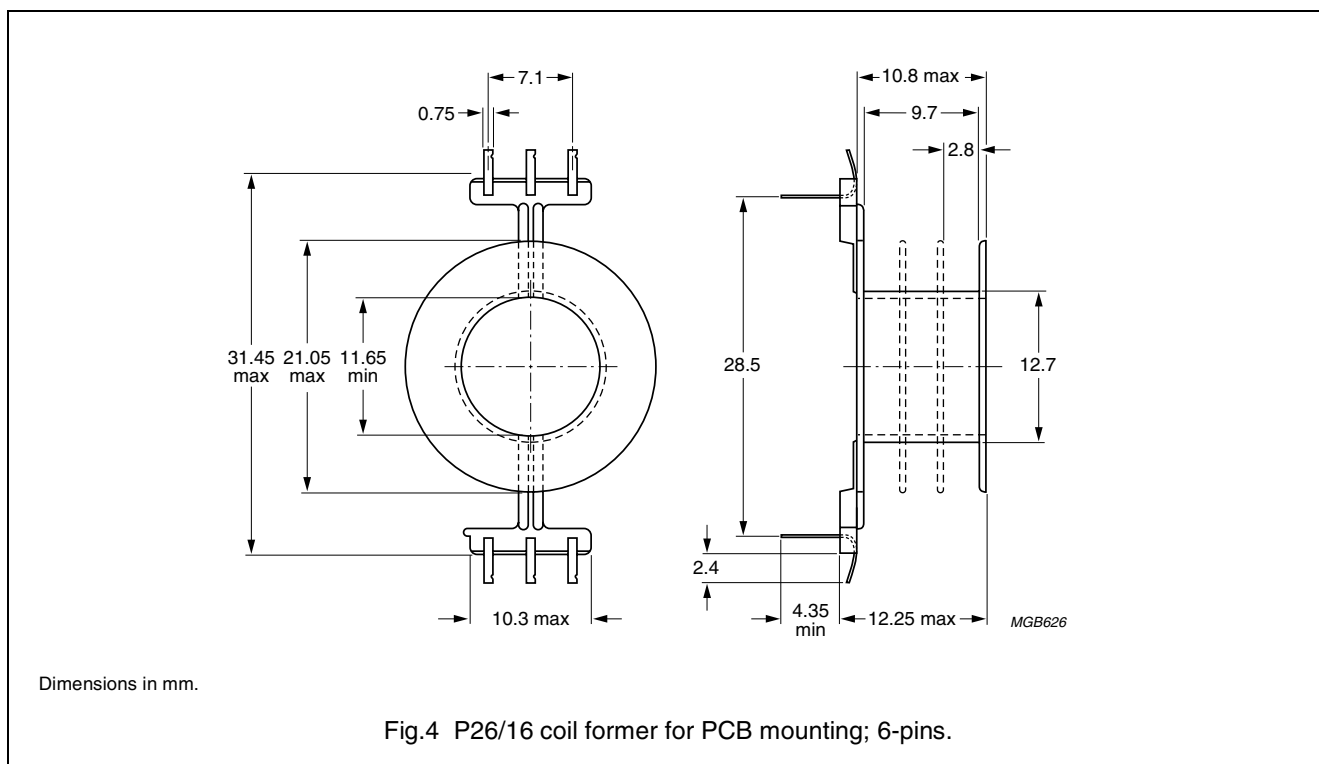


Winding data and area product for CP-P26/16 coil former

NUMBER OF SECTIONS	WINDING AREA (mm ²)	MINIMUM WINDING WIDTH (mm)	AVERAGE LENGTH OF TURN (mm)	AREA PRODUCT Ae x Aw (mm ⁴)	TYPE NUMBER
1	37.1	9.3	52.6	3480	CP-P26/16-1S
2	2 × 17.5	2 × 4.35	52.6	2 x 1640	CP-P26/16-2S
3	3 × 11	3 × 2.7	52.6	3 x 1030	CP-P26/16-3S

General data 6-pins P26/16 coil former for PCB mounting

PARAMETER	SPECIFICATION
Coil former material	polyamide (PA6.6), glass reinforced, flame retardant in accordance with "UL 94V-0"; UL file number E41938(M)
Maximum operating temperature	130 °C, "IEC 60085", class B
Pin material	copper-zinc alloy (CuZn), tin (Sn) plated
Resistance to soldering heat	"IEC 60068-2-20", Part 2, Test Tb, method 1B, 350 °C, 3.5 s
Solderability	"IEC 60068-2-20", Part 2, Test Ta, method 1, 235 °C, 2 s



Winding data and area product for 6-pins P26/16 coil former for PCB mounting

NUMBER OF SECTIONS	MINIMUM WINDING AREA (mm ²)	NOMINAL WINDING WIDTH (mm)	AVERAGE LENGTH OF TURN (mm)	MINIMUM LENGTH OF PINS (mm)	AREA PRODUCT Ae x Aw (mm ⁴)	TYPE NUMBER
1	36.7	9.7	52.7	4.4	3450	CPV-P26/16-1S-6PD
1	36.7	9.7	52.7	6.8	3450	CPV-P26/16-1S-6PDL
2	2 × 16.6	2 × 4.5	52.7	4.4	2 x 1560	CPV-P26/16-2S-6PD
2	2 × 16.6	2 × 4.5	52.7	6.8	2 x 1560	CPV-P26/16-2S-6PDL
3	3 × 10.3	3 × 2.8	52.7	4.4	3 x 967	CPV-P26/16-3S-6PD ⁽¹⁾
3	3 × 10.3	3 × 2.8	52.7	6.8	3 x 967	CPV-P26/16-3S-6PDL ⁽¹⁾

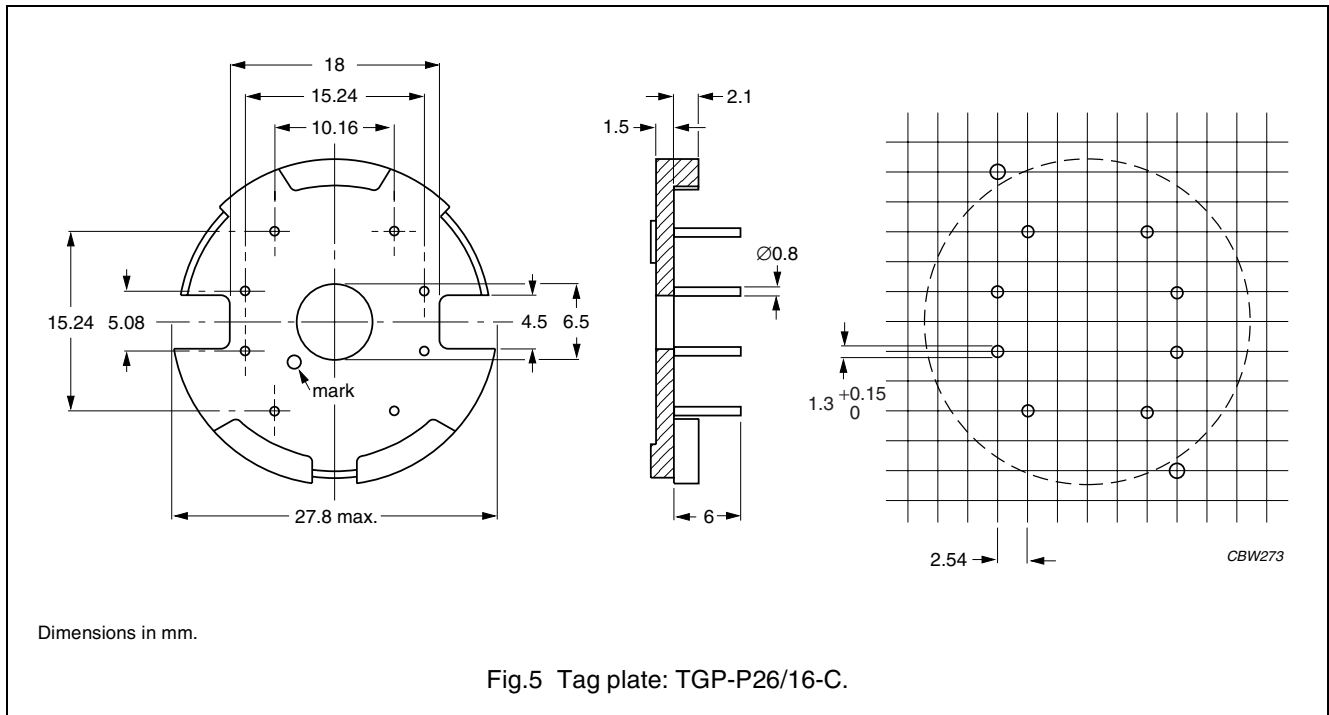
Note

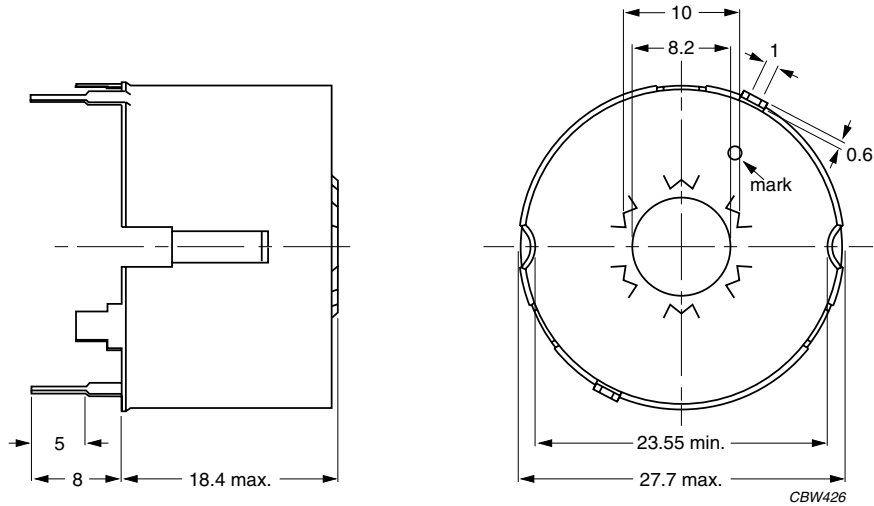
1. In accordance with "UL 94-HB".

MOUNTING PARTS

General data

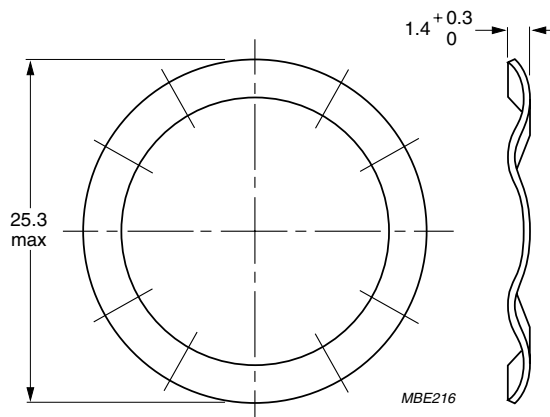
ITEM	REMARKS	FIGURE	TYPE NUMBER
Tag plate	material: phenolformaldehyde (PF), glass reinforced	5	TGP-P26/16-C
	flame retardant: in accordance with "UL 94V-0"; UL file number E41429		
	maximum operating temperature: 180 °C, "IEC 60085", class H		
	pins: copper-tin alloy (CuSn), tin (Sn) plated		
	resistance to soldering heat in accordance with "IEC 60068-2-20", Part 2, Test Tb, method 1B: 350 °C, 3.5 s		
	solderability in accordance with "IEC 60068-2-20", Part 2, Test Ta, method 1: 235 °C, 2 s		
Container	copper-zinc alloy, tin (Sn) plated	6	CON-P26/16
	earth pins: presoldered		
Spring	CrNi-steel	7	SPR-P26/16
	spring force: ≈200 N when mounted		
Clamp	spring steel, tin-plated	8	CLM/TP-P26/16





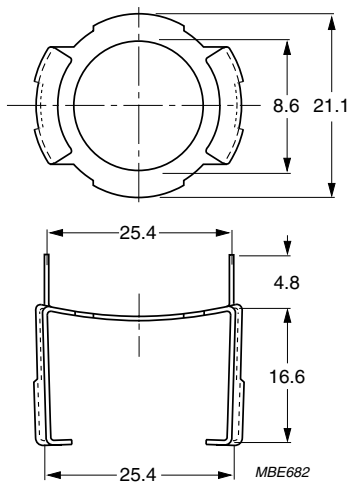
Dimensions in mm.

Fig.6 P26/16 container.



Dimensions in mm.

Fig.7 P26/16 spring.



Dimensions in mm.

Fig.8 Clamp: CLM/TP-P26/16.