

Impedance Matching Transformers

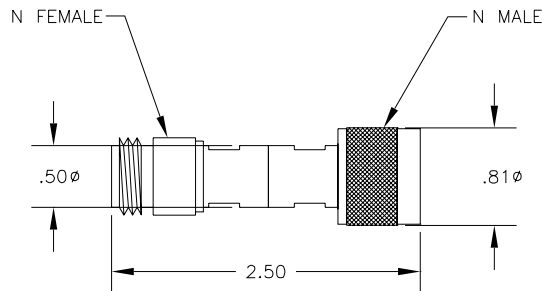
Model	Frequency Range	Impedance*	Attenuation Loss (maximum)	VSWR (maximum)	Input Power
57ZT	0.5-600 MHz	50 Ohms male 75 Ohms female	0.75 dB 0.5-300 MHz 1 dB 300-600 MHz	1.3:1 0.5-3 MHz 1.2:1 3-300 MHz 1.3:1 300-600 MHz	1 Watt average 1000 Watts peak
75ZT	0.5-600 MHz	75 Ohms male 50 Ohms female	0.75 dB 0.5-300 MHz 1 dB 300-600 MHz	1.3:1 0.5-3 MHz 1.2:1 3-300 MHz 1.3:1 300-600 MHz	1 Watt average 1000 Watts peak
57ZT-1G	0.5-1000 MHz	50 Ohms male 75 Ohms female	0.75 dB 0.5-300 MHz 1.2 dB 300-1000 MHz	1.3:1 0.5-3 MHz 1.2:1 3-300 MHz 1.3:1 300-1000 MHz	1 Watt average 1000 Watts peak
75ZT-1G	0.5-1000 MHz	75 Ohms male 50 Ohms female	0.75 dB 0.5-300 MHz 1.2 dB 300-1000 MHz	1.3:1 0.5-3 MHz 1.2:1 3-300 MHz 1.3:1 300-1000 MHz	1 Watt average 1000 Watts peak
57ZTT-AA	800-2200 MHz	50 Ohms male 75 Ohms female	0.5 dB	1.3:1	20 Watts average
75ZTT-AA	800-2200 MHz	75 Ohms male 50 Ohms female	0.5 dB	1.3:1	20 Watts average

*** OTHER IMPEDANCES AVAILABLE - PLEASE CONTACT THE FACTORY**

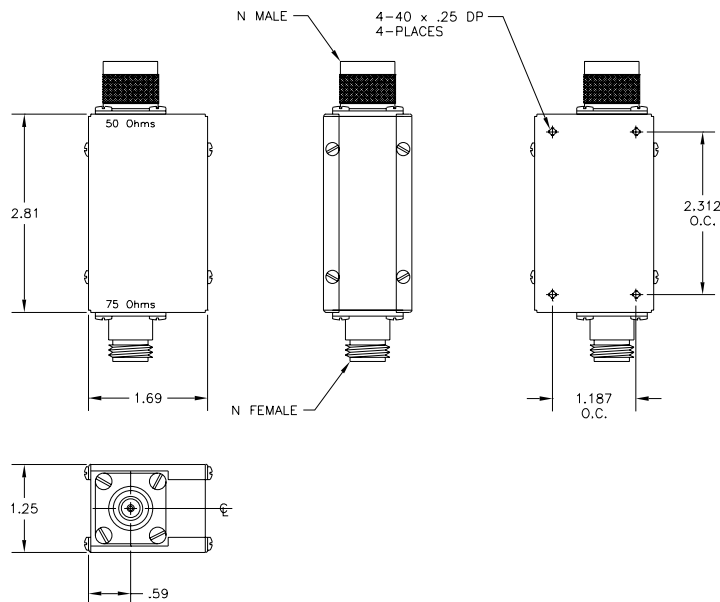
Common Specifications

Operating Temperature	RF Connectors - 50 Ohm Side	RF Connectors - 75 Ohm Side
-20° C to +85° C	BNC, TNC, N or SMA	BNC, TNC, N or F

57ZT / 75ZT / 57ZT-1G / 75ZT-1G



57ZTT-AA / 75ZTT-AA



This represents only 10% of our products. For YOUR application, contact JFW at 1-877-887-4JFW or sales@jfwindustries.com