

**PLEASE CHECK WWW.MOLEX.COM FOR LATEST PART INFORMATION**

**Part Number:** [0513470600](#)  
**Status:** **Active**  
**Description:** 3.30mm (.130") Pitch Wire-to-Wire Receptacle Housing, Positive Lock, Dual Row, 6 Circuits

**Documents:**

[Drawing \(PDF\)](#) [RoHS Certificate of Compliance \(PDF\)](#)  
[Product Specification PS-51347-001 \(PDF\)](#)

**General**

Product Family Crimp Housings  
 Series [51347](#)  
 Product Name N/A

**Physical**

Circuits (maximum) 6  
 Color - Resin Natural  
 Gender Female  
 Glow-Wire Compliant No  
 Lock to Mating Part Yes  
 Material - Resin Nylon  
 Number of Rows 2  
 Packaging Type Bag  
 Panel Mount No  
 Pitch - Mating Interface (in) 0.130 In  
 Pitch - Mating Interface (mm) 3.30 mm  
 Polarized to Mating Part Yes  
 Stackable No  
 Temperature Range - Operating -25°C to +85°C

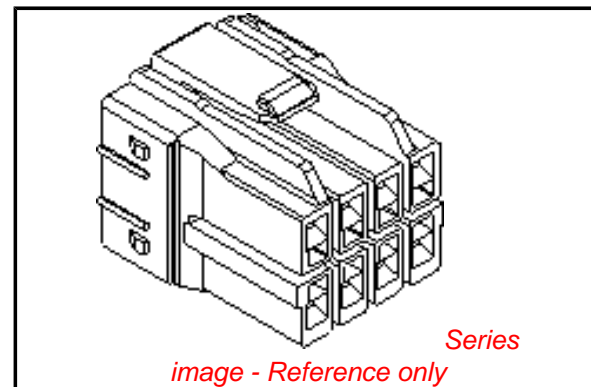
**Electrical**

Current - Maximum per Contact 4A

**Material Info**

**Reference - Drawing Numbers**

Product Specification PS-51347-001, RPS-51284-006, RPS-51347-004, RPS-51347-005, RPS-51347-006, RPS-51347-007  
 Sales Drawing SD-51347-002



**EU RoHS**

**ELV and RoHS Compliant**  
**REACH SVHC**  
**Contains SVHC: No**  
**Halogen-Free Status**

**China RoHS**



**Need more information on product environmental compliance?**

Email [productcompliance@molex.com](mailto:productcompliance@molex.com)  
 For a multiple part number RoHS Certificate of Compliance, [click here](#)

Please visit the [Contact Us](#) section for any non-product compliance questions.

**Search Parts in this Series**

[51347Series](#)

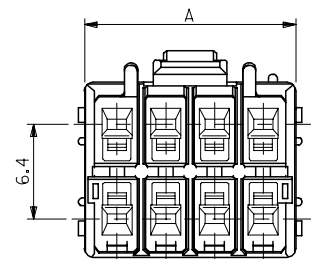
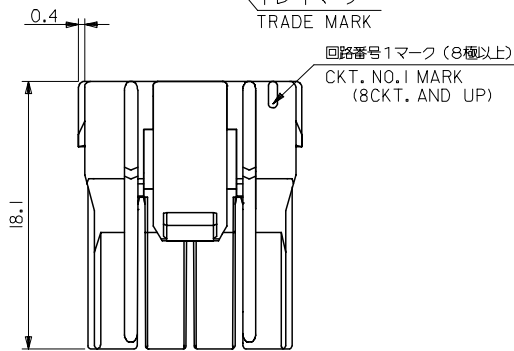
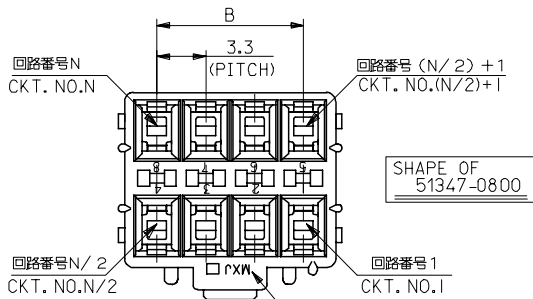
**Mates With**

[51346-0600](#)

**Use With**

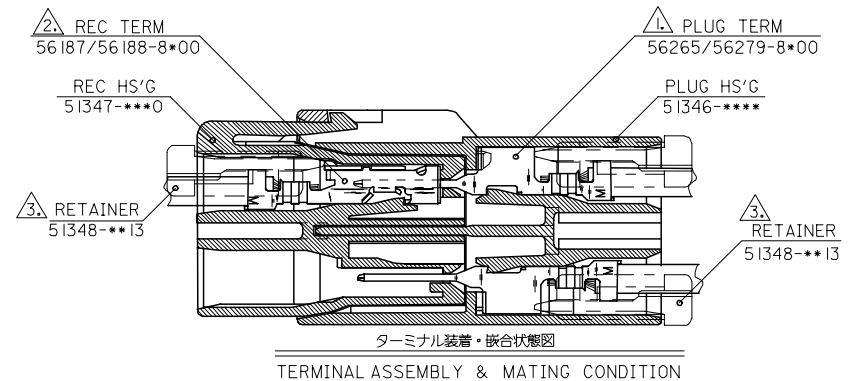
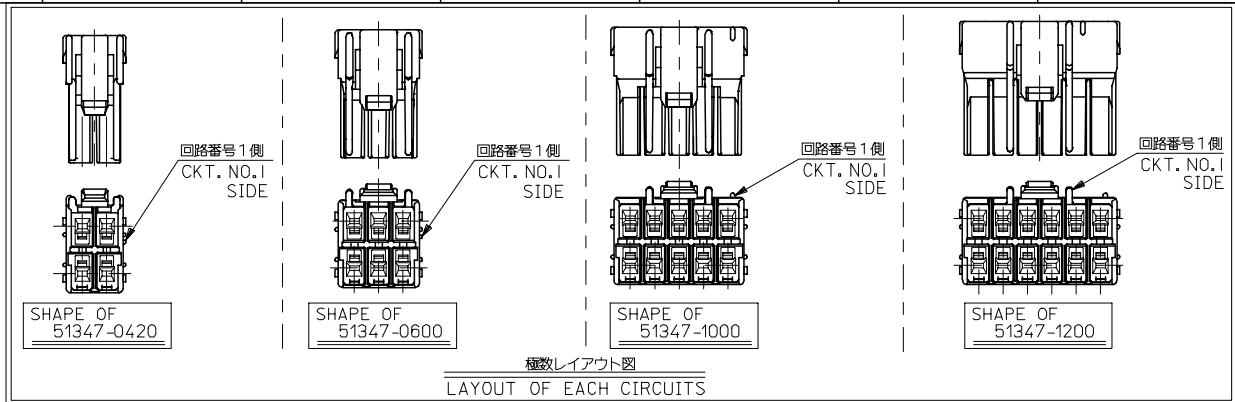
[51348](#) , [56187](#)

本図は2列品を示す  
DUAL ROW ASS'Y



注記  
NOTES

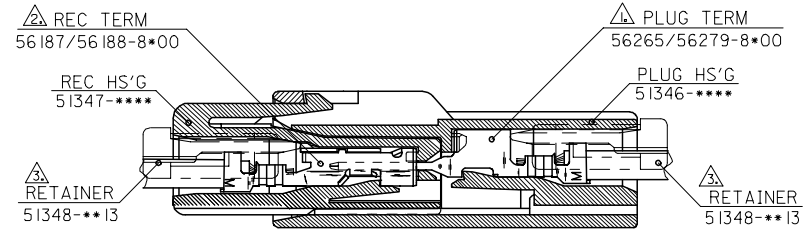
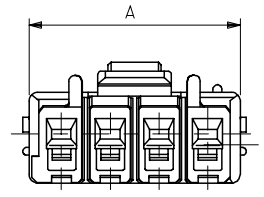
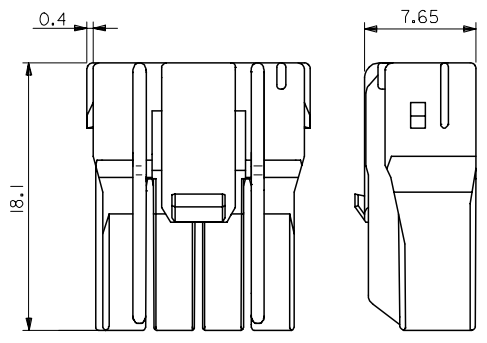
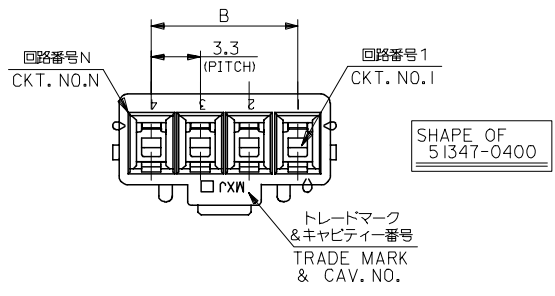
- △ 適合ターミナル: 56187/56188シリーズ  
APPLICABLE TERMINAL : 56187/56188 SERIES
- 2, 嵌合相手 : 51346シリーズ  
MATE WITH : 51346 SERIES
- △ 適合リテーナー : 51348-\*\*\*1\* シリーズ  
APPLICABLE RETAINER : 51348-\*\*\*1\* SERIES
- 4, 材質 : NYLON66, UL94V-0



51346-1200	51348-0613	NATURAL	16.5	20.9	12	51347-1200	
-1000	-0513	△	13.2	17.6	10	-1000	51347-****
-0800	-0413	△	9.9	14.3	8	-0800	
-0600	-0313	△	6.6	11	6	-0600	
51346-0420	51348-0213	NATURAL	3.3	7.7	4	51347-0420	
MATE WITH	CONFORMABLE-RETAINER	COLOR	B	A	CKT.	MATERIAL NO.	MODEL NO.

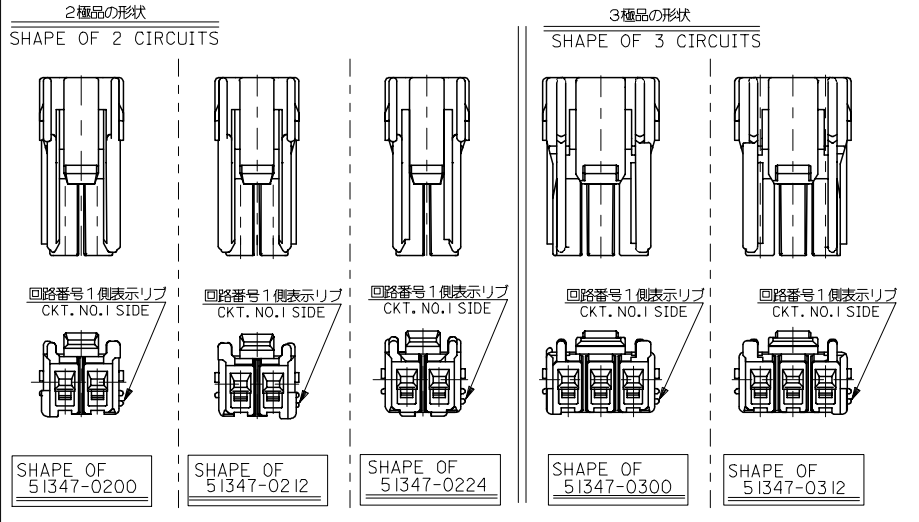
REVISED EC NO: J2008-1833 DRWN: NABEI 2007/11/16 CHKD: THARUYAMA 2007/11/19 APPR: NUKITA 2007/11/20 A	DESCRIPTION GENERAL TOLERANCES (UNLESS SPECIFIED) 10 UNDER ±0.2 10 OVER 30 UNDER ±0.25 30 OVER ±0.3 ANGULAR ±3 ° DRAFT WHERE APPLICABLE MUST REMAIN WITHIN DIMENSIONS	DIMENSION STYLE		SCALE	DESIGN UNIT'S	THIRD ANGLE PROJECTION			
		MM ONLY		---	METRIC				
		DRAWN BY	DATE	TITLE					
		T. ODA	'04/01/15	3.3 W/W CONN REC HS'G					
		CHECKED BY	DATE						
S. ICHIKAWA									
APPROVED BY	DATE	MOLEX MOLEX INCORPORATED		DOCUMENT NO.		SHEET NO.			
Y. ITO				SD-51347-002		1 OF 2			
MATERIAL NO.	SEE TABLE								
SIZE A3 THIS DRAWING CONTAINS INFORMATION THAT IS PROPRIETARY TO MOLEX INCORPORATED AND SHOULD NOT BE USED WITHOUT WRITTEN PERMISSION									

本図は1列品を示す  
SINGLE ROW ASS'Y



ターミナル装着・嵌合状態図  
TERMINAL ASSEMBLY & MATING CONDITION

各種形状を下記に参考として示す。  
尚、2極及び3極については嵌合間口にて誤嵌合パリエーションを持たせている為組み合わせには注意して下さい。



- 注記 NOTES
- △ 適合ターミナル : 56265/56279-8\*00  
APPLICABLE TERMINAL  
詳細はSD-56265-001/SD-56279-001参照のこと。  
REFERENCE:SD-56265-001/SD-56279-001
  - △ 適合ターミナル : 56187/56188-8\*00  
APPLICABLE TERMINAL  
詳細はSD-56187-002/SD-56188-002参照のこと。  
REFERENCE:SD-56187-002/SD-56188-002
  - △ 適合リテーナー : 51348-\*\*\*13  
APPLICABLE RETAINER  
詳細はSD-51348-\*\*\*参照のこと。  
REFERENCE:SD-51348-\*\*\*
  - 4, 材料 : NYLON66, UL94V-0  
MATERIAL

51346-0400	51348-0413	NATURAL	9.9	14.3	4	51347-0400	
-0312	-0313	RED	6.6	11	3	-0312	51347-****
-0300	-0313	NATURAL	6.6	11		-0300	
-0224	-0213	BLUE	3.3	7.7		-0224	
-0212	-0213	RED	3.3	7.7	2	-0212	
51346-0200	51348-0213	NATURAL	3.3	7.7		51347-0200	
MATE WITH	CONFORMABLE-RETAINER	COLOR	B	A	CKT.	MATERIAL NO.	MODEL NO.

REVISED EC NO: J2008-1833 DRWN: NABE CHKD: THARUYAMA APPR: NUKITA	DESCRIPTION 2007/11/16 2007/11/19 2007/11/20	GENERAL TOLERANCES (UNLESS SPECIFIED)		DIMENSION STYLE		SCALE		DESIGN UNIT'S		THIRD ANGLE PROJECTION
				MM ONLY		---		METRIC		
		10 UNDER	±0.2	DRAWN BY	DATE	TITLE				
		10 OVER 30 UNDER	±0.25	T.ODA	'04/01/15	3.3W/W CONN REC HS'G				
		30 OVER	±0.3	CHECKED BY	DATE					
		ANGULAR	±3 °	S. ICHIKAWA		MOLEX INCORPORATED				
		DRAFT WHERE APPLICABLE MUST REMAIN WITHIN DIMENSIONS		APPROVED BY	DATE	SD-51347-002		SHEET NO.		
				Y. ITO		2 OF 2				
				MATERIAL NO.	DOCUMENT NO.					
				SEE TABLE						
				THIS DRAWING CONTAINS INFORMATION THAT IS PROPRIETARY TO MOLEX INCORPORATED AND SHOULD NOT BE USED WITHOUT WRITTEN PERMISSION						