



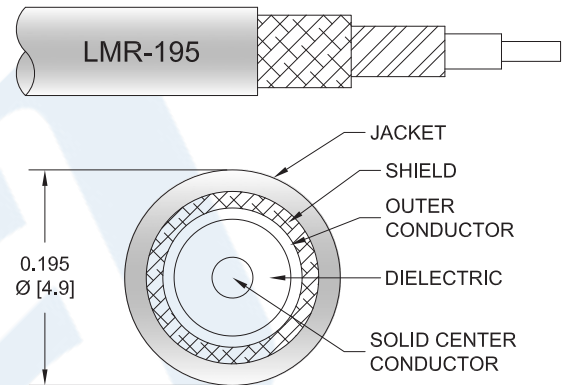
N Male to N Male Right Angle with Times Connectors Cable Using LMR-195 Coax

RF Cable Assemblies Technical Data Sheet

PE3C0120

Configuration

- Connector 1: N Male
- Connector 2: N Male Right Angle
- Cable Type: LMR-195



Electrical Specifications

| Description | Minimum | Typical | Maximum | Units |
|-------------------------------|---------|--------------|---------|-----------------|
| Frequency Range | DC | | 5.8 | GHz |
| VSWR | | | 1.5:1 | |
| Velocity of Propagation | | 80 | | % |
| RF Shielding | 90 | | | dB |
| Group Delay | | 1.27 [4.17] | | ns/ft [ns/m] |
| Capacitance | | 25.4 [83.33] | | pF/ft [pF/m] |
| Inductance | | 0.064 [0.21] | | uH/ft [uH/m] |
| DC Resistance Inner Conductor | | 7.6 [24.93] | | Ω/1000ft [Ω/Km] |
| DC Resistance Outer Conductor | | 4.9 [16.08] | | Ω/1000ft [Ω/Km] |
| Jacket Spark | | | 3,000 | Vrms |

Specifications by Frequency

| Description | F1 | F2 | F3 | F4 | F5 | Units |
|-----------------------|----------------|----------------|----------------|----------------|---------------|-----------------|
| Frequency | 0.25 | 0.5 | 1 | 2.5 | 5.8 | GHz |
| Insertion Loss (Max.) | 0.06 [0.20] | 0.07 [0.23] | 0.12 [0.39] | 0.19 [0.62] | 0.3 [0.98] | dB/ft [dB/m] |

Electrical Specification Notes:

Insertion Loss does not include the loss of the connectors. Insertion Loss is estimated as .05dB x SQRT Frequency (GHz) per connector.

Click the following link (or enter part number in "SEARCH" on website) to obtain additional part information including price, inventory and certifications: [N Male to N Male Right Angle with Times Connectors Cable Using LMR-195 Coax PE3C0120](#)





N Male to N Male Right Angle with Times Connectors Cable Using LMR-195 Coax

RF Cable Assemblies Technical Data Sheet

PE3C0120

Mechanical Specifications

Cable Assembly

| | |
|----------|---------------------|
| Diameter | 0.8 in [20.32 mm] |
| Weight | 0.201 lbs [91.17 g] |

Cable

| | |
|--------------------------------------|------------------------|
| Cable Type | LMR-195 |
| Impedance | 50 Ohms |
| Inner Conductor Type | Solid |
| Inner Conductor Material and Plating | Copper |
| Dielectric Type | PE (F) |
| Number of Shields | 2 |
| Shield Layer 1 | Aluminum Tape |
| Shield Layer 2 | Tinned Copper Braid |
| Jacket Material | PE, Black |
| Jacket Diameter | 0.195 in [4.95 mm] |
| One Time Minimum Bend Radius | 0.5 in [12.7 mm] |
| Repeated Minimum Bend Radius | 2 in [50.8 mm] |
| Bending Moment | 0.2 lbs-ft [0.27 N-m] |
| Flat Plate Crush | 15 lbs/in [0.27 Kg/mm] |
| Tensile Strength | 40 lbs [18.14 Kg] |

Connectors

| Description | Connector 1 | Connector 2 |
|------------------------------------|---------------|--------------------|
| Type | N Male | N Male Right Angle |
| Impedance | 50 Ohms | 50 Ohms |
| Mating Cycles | | 500 |
| Contact Material and Plating | Brass, Gold | Brass, Gold |
| Contact Plating Specification | | 50µ in. minimum |
| Dielectric Type | Teflon | Teflon |
| Coupling Nut Material and Plating | Brass, Silver | Brass, Tri-Metal |
| Coupling Nut Plating Specification | | 80µ in. minimum |
| Body Material and Plating | Brass, Silver | Brass, Tri-Metal |
| Body Plating Specification | | 80µ in. minimum |

Compliance Certifications (visit www.Pasternack.com for current document)

For RoHS Compliant version, use PE3c0120LF. Contact Pasternack if product cannot be found.

Click the following link (or enter part number in "SEARCH" on website) to obtain additional part information including price, inventory and certifications: [N Male to N Male Right Angle with Times Connectors Cable Using LMR-195 Coax PE3C0120](#)



N Male to N Male Right Angle with Times Connectors Cable Using LMR-195 Coax

RF Cable Assemblies Technical Data Sheet

PE3C0120

Plotted and Other Data

Notes:

- Values at 25°C, sea level.

How to Order

Part Number Configuration:

PE3C0120 - xx uu

Unit of Measure:
 cm = Centimeters
 <blank> = Inches
 Length
 Base Number

Example: PE3C0120-12 = 12 inches long cable
 PE3C0120-100cm = 100 cm long cable

N Male to N Male Right Angle with Times Connectors Cable Using LMR-195 Coax from Pasternack Enterprises has same day shipment for domestic and International orders. Our RF, microwave and millimeter wave products maintain a 99% availability and are part of the broadest selection in the industry.

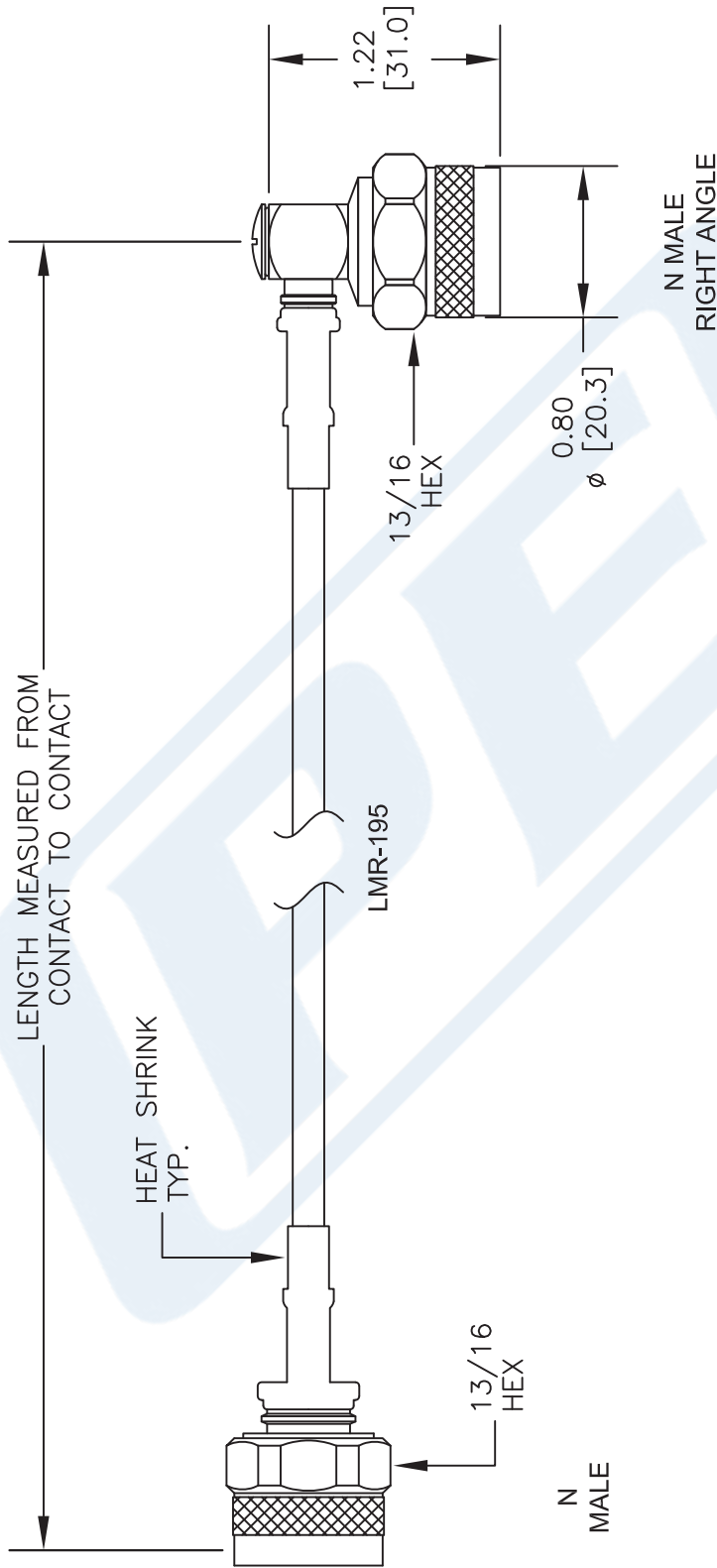
Click the following link (or enter part number in "SEARCH" on website) to obtain additional part information including price, inventory and certifications: [N Male to N Male Right Angle with Times Connectors Cable Using LMR-195 Coax PE3C0120](#)

URL: <http://www.pasternack.com/n-male-n-male-lmr195-cable-assembly-pe3c0120-p.aspx>

The information contained in this document is accurate to the best of our knowledge and representative of the part described herein. It may be necessary to make modifications to the part and/or the documentation of the part, in order to implement improvements. Pasternack reserves the right to make such changes as required. Unless otherwise stated, all specifications are nominal. Pasternack does not make any representation or warranty regarding the suitability of the part described herein for any particular purpose, and Pasternack does not assume any liability arising out of the use of any part or documentation.

PE3C0120 CAD Drawing

N Male to N Male Right Angle with Times Connectors Cable Using LMR-195 Coax



NOTES:

1. UNLESS OTHERWISE SPECIFIED ALL DIMENSIONS ARE NOMINAL.
2. ALL SPECIFICATIONS ARE SUBJECT TO CHANGE WITHOUT NOTICE AT ANY TIME.
3. DIMENSIONS ARE IN INCHES (mm).
4. LENGTH TOLERANCE IS $\pm 1.5\%$ OR $3/8"$, WHICHEVER IS GREATER.

DWG TITLE

PE3C0120

FSCM NO. 53919

CAD FILE 050216

SCALE N/A

SIZE A

2233



THE ENGINEER'S RF SOURCE
 Pasternack Enterprises, Inc.
 P.O. Box 16759 | Irvine | CA | 92623
 Phone: (949) 261-1920 | Fax: (949) 261-7451
 Website: www.pasternack.com | E-Mail: sales@pasternack.com