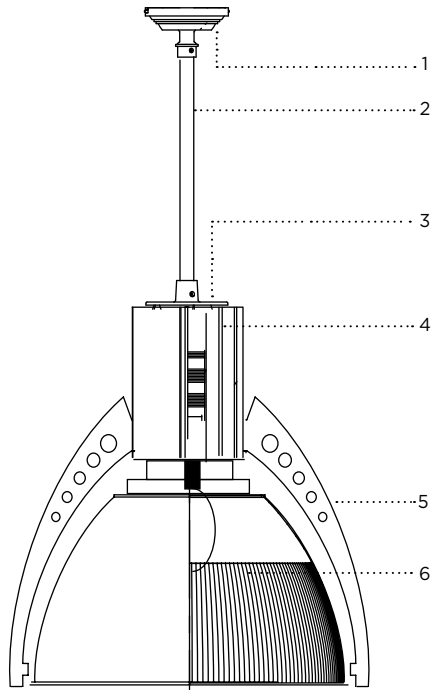


TYPE: \_\_\_\_\_ QUANTITY: \_\_\_\_\_ PROJECT: \_\_\_\_\_

CATALOG NUMBER:

FIXTURE    WATTAGE    VOLTAGE    FINISH    OPTION    OPTION    OPTION    OPTION



Ceiling pendant luminaire with a choice of clear acrylic refractor or an anodized aluminum reflector with two part inner surface treatment. Upper etched surface combined with multi-faceted specular lower part. Optional attachments and accessories are available to customize and adapt each luminaire to particular design requirements.

- 1- Standard heavy duty 45° hang straight swivel, with 5" diameter (127) canopy and universal mounting plate.
- 2- 7/8" Diameter (22) X 36" Lg. (914) suspension stem. Precut factory stems are available on request. (Specify STM with desired length)
- 3- Cast aluminum removable top cover for quick maintenance.
- 4- Extruded aluminum ballast housing module with a fine linear stria pattern.
- 5- Set of four cast aluminum decorative arms.
- 6- **TR2401:** Clear acrylic refractor.  
**TR2402:** Aluminum reflector.  
Inner surface: High performance multi-faceted specular anodized.  
Exterior surface: Satin anodized natural aluminum.  
Alternate exterior finish (Option RP8)

TR2401



TR2402



## MATERIALS

Torx is made of an extruded aluminum ballast housing designed to optimize functionality of electrical components.  
Torx is available with a choice of two interchangeable reflectors.

- A clear acrylic refractor with a linear peripheral pattern providing general upward illumination with efficient down lighting.
- An aluminum reflector designed to optimize light source performance and uniformity.

## ELECTRICAL

### METAL HALIDE

**BALLAST** Electronic 120/277V multi volt or 347V (50-60HZ) up to 150W. Pulse start magnetic ballast for 175W and higher, with a minimum starting temperature of -22°F/-30°C including end of life protection.

**SOCKET** Medium or mogul base pulse rated 4kV porcelain body with a nickel plated screw shell and center contact rated 600V. Supplied with 200°C leads.

### COMPACT FLUORESCENT (CFL)

**BALLAST** Electronic 120/277V multi volt, or 347V (50-60HZ) with end of life protection. Minimum starting temperature of 0°F/-18°C.

**SOCKET** Thermoplastic body rated for 75W-600V. Supplied with 105°C leads.

## FINISH

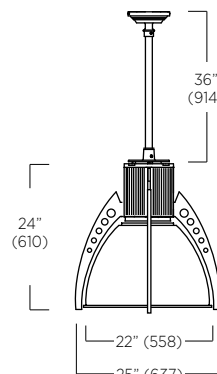
Polyester powder coating is applied through an electrostatic process and oven cured for long term finish.

## MOUNTING

Maximum weight: 18.5lbs (8.4kg)  
Mounts on a standard 4" (102) octagonal electrical box with 3 1/2" (89) C/C mounting holes.

## CERTIFICATION

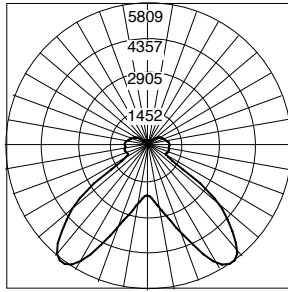
Tested to UL1598 and CSA 22.2 #250. ETL listed damp location.  
CE certification on request.  
Rated IP41.



# TR2401/TR2402

TORX 22 - HID/CFL

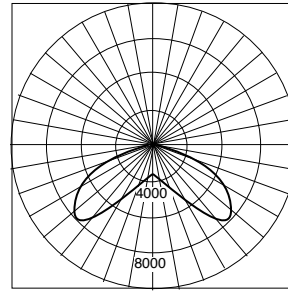
## TYPICAL PHOTOMETRY SUMMARY



**Descriptive Information**  
 Total initial Lms: 25600 Lumens (8 lamps)  
 Total watts.: 336 W  
 Lamps: Comp. Fluorescent  
 Total efficiency: 75%  
 Max Spacing ratio: 2.4  
 CIE Type: Semi-Direct

**TR2401-F842**

Outdoor report Polar graph  
 Maximum Candela = 5809 Located at 35°




**Descriptive Information**  
 Total initial Lms: 25600 Lumens (8 lamps)  
 Total watts.: 336 W  
 Lamps: Comp. Fluorescent  
 Total efficiency: 74%  
 Max Spacing ratio: 2.8  
 CIE Type: Direct

**TR2402-F842**

Outdoor report Polar graph  
 Maximum Candela = 7041 Located at 35°

Please visit our web site [www.luminis.com](http://www.luminis.com) for complete I.E.S. formatted download data.

## LUMINAIRE SELECTION

MODEL#	LAMP SELECTION <sup>1</sup>	VOLTAGE <sup>2</sup>	FINISH																																
 <input type="checkbox"/> TR2401	<b>METAL HALIDE</b> <table border="1"> <thead> <tr> <th>SUFFIX</th> <th>WATTS</th> <th>LAMP</th> <th>ANSI</th> </tr> </thead> <tbody> <tr> <td><input type="checkbox"/> M150E</td> <td>150W</td> <td rowspan="2">ED17</td> <td>M102</td> </tr> <tr> <td><input type="checkbox"/> M175PS</td> <td>175W</td> <td>M152</td> </tr> <tr> <td><input type="checkbox"/> M200PS</td> <td>200W</td> <td rowspan="2">ED28-PS</td> <td>M136</td> </tr> <tr> <td><input type="checkbox"/> M250PS</td> <td>250W</td> <td>M153</td> </tr> <tr> <td><input type="checkbox"/> M320PS</td> <td>320W</td> <td rowspan="2">ED37-PS</td> <td>M154</td> </tr> <tr> <td><input type="checkbox"/> M400PS</td> <td>400W</td> <td></td> </tr> <tr> <td><input type="checkbox"/> M210T</td> <td>210W</td> <td rowspan="2">T12/PGZX18</td> <td></td> </tr> <tr> <td><input type="checkbox"/> M315T</td> <td>315W</td> <td></td> </tr> </tbody> </table>	SUFFIX	WATTS	LAMP	ANSI	<input type="checkbox"/> M150E	150W	ED17	M102	<input type="checkbox"/> M175PS	175W	M152	<input type="checkbox"/> M200PS	200W	ED28-PS	M136	<input type="checkbox"/> M250PS	250W	M153	<input type="checkbox"/> M320PS	320W	ED37-PS	M154	<input type="checkbox"/> M400PS	400W		<input type="checkbox"/> M210T	210W	T12/PGZX18		<input type="checkbox"/> M315T	315W		<input type="checkbox"/> 120V <input type="checkbox"/> 277V <input type="checkbox"/> 347V <sup>3</sup>	<b>STANDARD COLORS</b> <input type="checkbox"/> WHT Snow white <input type="checkbox"/> BKT Jet black <input type="checkbox"/> BZT Bronze <input type="checkbox"/> MST Matte silver <input type="checkbox"/> GRT Titanium gray <input type="checkbox"/> DGT Gun metal <input type="checkbox"/> CHT Champagne  <b>OPTIONAL COLORS</b> <input type="checkbox"/> CS Custom color <input type="checkbox"/> RAL RAL# color  (Refer to color chart)
	SUFFIX	WATTS	LAMP	ANSI																															
<input type="checkbox"/> M150E	150W	ED17	M102																																
<input type="checkbox"/> M175PS	175W		M152																																
<input type="checkbox"/> M200PS	200W	ED28-PS	M136																																
<input type="checkbox"/> M250PS	250W		M153																																
<input type="checkbox"/> M320PS	320W	ED37-PS	M154																																
<input type="checkbox"/> M400PS	400W																																		
<input type="checkbox"/> M210T	210W	T12/PGZX18																																	
<input type="checkbox"/> M315T	315W																																		
<input type="checkbox"/> TR2402	<b>COMPACT FLUORESCENT</b> <table border="1"> <tbody> <tr> <td><input type="checkbox"/> F432</td> <td>4X32W</td> <td rowspan="5">Gx24q Lamp base</td> </tr> <tr> <td><input type="checkbox"/> F442</td> <td>4X42W</td> </tr> <tr> <td><input type="checkbox"/> F457</td> <td>4X57W</td> </tr> <tr> <td><input type="checkbox"/> F470</td> <td>4X70W</td> </tr> <tr> <td><input type="checkbox"/> F632</td> <td>6X32W</td> </tr> <tr> <td><input type="checkbox"/> F642</td> <td>6X42W</td> <td></td> </tr> <tr> <td><input type="checkbox"/> F657</td> <td>6X57W</td> <td></td> </tr> <tr> <td><input type="checkbox"/> F842</td> <td>8X42W</td> <td></td> </tr> </tbody> </table>	<input type="checkbox"/> F432	4X32W	Gx24q Lamp base	<input type="checkbox"/> F442	4X42W	<input type="checkbox"/> F457	4X57W	<input type="checkbox"/> F470	4X70W	<input type="checkbox"/> F632	6X32W	<input type="checkbox"/> F642	6X42W		<input type="checkbox"/> F657	6X57W		<input type="checkbox"/> F842	8X42W															
<input type="checkbox"/> F432	4X32W	Gx24q Lamp base																																	
<input type="checkbox"/> F442	4X42W																																		
<input type="checkbox"/> F457	4X57W																																		
<input type="checkbox"/> F470	4X70W																																		
<input type="checkbox"/> F632	6X32W																																		
<input type="checkbox"/> F642	6X42W																																		
<input type="checkbox"/> F657	6X57W																																		
<input type="checkbox"/> F842	8X42W																																		

## OPTIONS (Refer to page 3 for details)

### ELECTRICAL

- BLV** Bi-level controller including H.I.D. Bi-level capacitor
- DM2** Two lamp dimming 26/32/42W 120/277V (Philips Mark X)
- DM4** Two lamp dimming 57W 120/277V (Philips Mark X)
- DMY** Other types of dimming ballasts (See page 3)
- EM** Integral emergency battery back-up - 1 lamp (32/42W) 90 min.
- EM2** Integral emergency battery back-up - 2 lamps (32W) 90 min.
- FS** Fuse
- DS1** Separate lamp switching (2 lamp models)
- DS2** Separate lamp switching in pairs (4/6/8 lamp models)
- QRS** Quartz lamp standby restrrike. Max. 100W bayonet lamp. 120-277V
- QS** 120V Max. 100W bayonet lamp base for emergency external power

### NOTES

- 1- Unless specified, lamps are not included with luminaires.
- 2- Luminaires are factory prewired for 120V unless otherwise specified.
- 3- 347V on request.

### MOUNTING

- STC** Safety cable
- STM** Longer hang straight stem. Please add length with option suffix.
- SPG** Silver braided power cord with adjustable suspension cable. 36" in length (other lengths on request)
- TA** 3/4" NPT conduit adaptor
- HK** 1" Diameter male hook supplied with 4/18 black power cord 36" in length

### ACCESSORIES

- D22** Clear prismatic bottom conical lens
- BC22** Aluminum lower diffuser band (same color as luminaire)
- L22T** Frosted flat bottom lens (with center opening)
- LB22** Cross blade louver (same color as luminaire)
- GL22** Zinc plated concentric ring guard
- RP8** Inner reflector specular aluminum. Exterior same color as luminaire (available only on TR2402).
- W22** Frosted acrylic refractor (available only on TR2401)

# LUMINIS®

LUMINIS | Toll free: 866.586.4647 Fax: 514.683.8872  
 260 Labrosse, Pointe-Claire (QC) Canada H9R 5L5

LUMINIS.COM


Luminaires may be altered for design improvement or discontinued without prior notice.  
 Unless specified, lamps are not included with luminaires.

## OPTIONS


### MOUNTING



**STM**  
Factory cut to size stems up to 144" lg. (Specify length with STM option suffix. Longer stems are available with coupling. Please consult factory.) 36" lg. Standard stems can be shortened on site.



**SPG**  
4/18 X 36" lg. Silver braided power cable C/W on site adjustable suspension cables. Longer suspension available on request.



**TA**  
3/4" NPT Suspension conduit adaptor. (Conduit by others) Supplied with 3X18 ga.X36" lg. wiring. (Longer wires to be specified.)




**HK**  
3/4" open hook with safety latch. 4" Lg. X 7/16" dia.

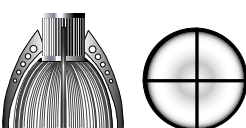
### ACCESSORIES




**D22**  
Clear prismatic bottom conical lens with nickel plated clamp ring



**L22T**  
Frosted acrylic flat bottom lens with 3" dia. center opening.



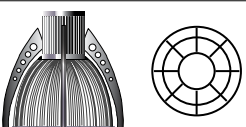
**LB22**  
Cross blade louver (Same color as luminaire)



TR2401 Only  
**BC22**  
Aluminum lower diffuser band (Same color as luminaire)




PR2402 Only  
**RP8**  
Inner reflector specular aluminum  
Exterior same color as luminaire



**GL22**  
Zinc plated flat concentric ring guard

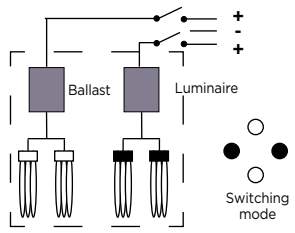
### ELECTRICAL



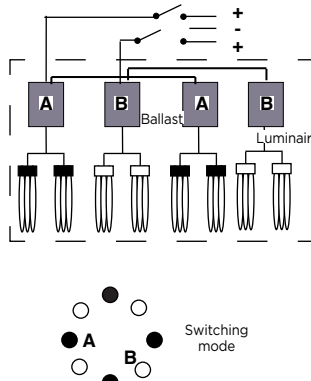
**EM**  
1 lamp (26/32/42W) 90 mnts. Integral emergency battery back-up

1X32W	575 Lumens
1X42W	750 Lumens

**EM2**  
2 lamps (32W) 90 mnts. 2X32W 750 Lumens 120/277V only. Standard connection; Test switch and indicator light are installed with luminaire. Factory pre wired for unswitched luminaire 57W and 70W available with remote EM ballast on request

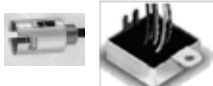


**DS2**  
4X32/42/57/70w Luminaire with 4 lamps. Each set of 2 lamps is separately controlled externally.



**DS4**  
8X32w Luminaire with 8 lamps. Each set of 4 lamps is separately controlled externally.

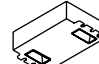
### ELECTRICAL



**QRS**  
Quartz restrike standby lamp kit. Power failure: The quartz lamp is energized. Power is restored: Quartz lamp will shut off as H.I.D. Light resumes to full light emission. Max. 100W DC Bayonet base. (Lamp is not included.) (Not applicable with CFL lamps.)



**QS**  
DC bayonet socket (Quartz lamp not included.) 120V Emergency input power. Separate dedicated wiring for external control. May be used for H.I.D or CFL lamps. Max. 100W.



**DMY**  
Other types of ballasts or dimming ballasts such as 0-10V Mark VII or Lutron or other brands are available. Please specify ballast type with DMY option suffix. (Some restrictions may apply)

