

PRODUCT NUMBER

77311-YXX-XXLF

PLATING SEE SHEET 2
PIN STYLE SEE SHEET 2

RoHS COMPATIBLE
SEE NOTE 6
TOTAL NB OF POSITIONS 01 TO 36
OPTION LETTER SEE NOTE 7

PRODUCT NUMBER (BERGSTRIK PACKAGING)

77311-YXX-OOLF

PLATING
1= 0.76µm GOLD/GXT ON CONTACT
AREA, 2µm TIN MIN ON TAILS
8= 0.38µm GOLD/GXT ON CONTACT
AREA, 2µm TIN MIN ON TAILS
4= 2.0µm TIN MIN FULL PLATED

INDICATES THE PRODUCT IS RoHS
COMPATIBLE, SEE NOTE 6
POSITIONS PER REEL : 00=36,000 (BERGSTRIK)

PIN STYLE	MATING	SOLDER	OAL
01	5.84	2.41	10.8
02	5.84	3.42	11.8
18	5.84	3.05	11.43
22	7.75	3.05	13.35
24	6.75	2.9	12.2
27	6.6	2.66	11.8

1.27µm NICKEL MIN UNDERLAYER FOR
ALL PLATING VERSIONS

NOTES:

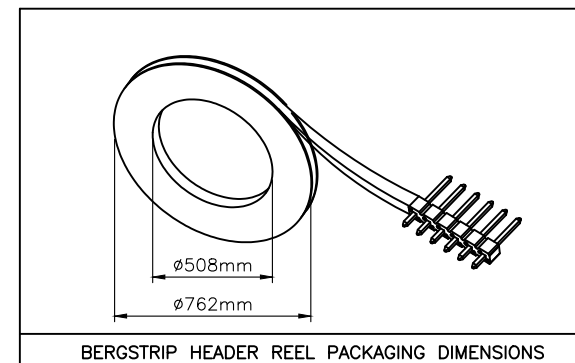
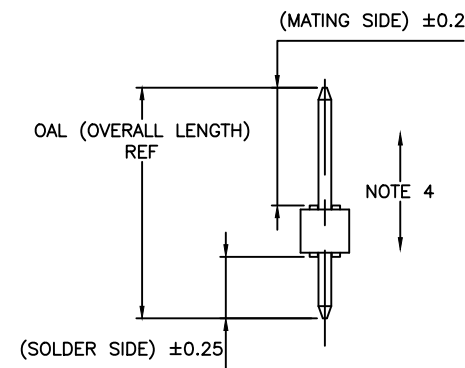
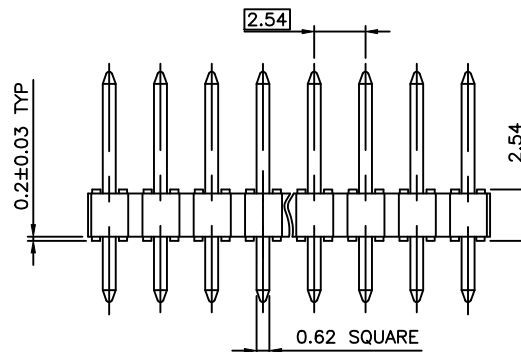
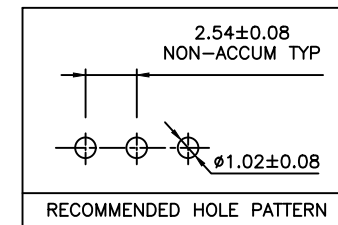
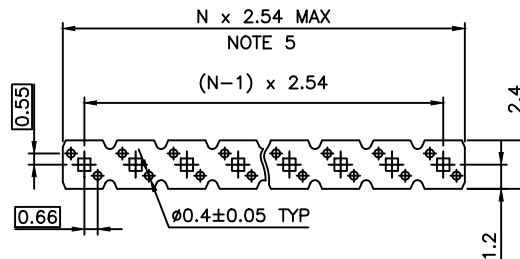
- HOUSING MAT'L : HIGH TEMPERATURE THERMOPLASTIC. UL94V-0 COLOR: BLACK
- PIN MATERIAL : PHOSPHOR BRONZE
- BERGSTIK PRODUCT PACKAGED IN POLYBAGS. BERGSTRIK PRODUCT PACKAGED PER REELS.
- 9N MIN RETENTION IN EITHER DIRECTION
- TO DETERMINE DIMENSIONS :
N = NUMBER OF POSITIONS PER ROW
EXAMPLE : 8 POS N x 2.54 = 20.32mm

6. RoHS COMPATIBLE PRODUCT SPECIFICATIONS

- a - PLATING:
- "LF" MEANS THE PRODUCT IS LEAD-FREE, 2µm MINIMUM MATTE TIN OVER 1.27µm MINIMUM NICKEL UNDERPLATE.
- b - MANUFACTURING PROCESS COMPATIBILITY
- THE HOUSING WILL WITHSTAND EXPOSURE TO 260°C ±5°C SOLDER BATH TEMPERATURE FOR 5 SECONDS IN A WAVE SOLDER APPLICATION WITH A 1.6mm MIN THICK CIRCUIT BOARD.
- REFLOW COMPATIBLE
- c - LABELING:
- MEETS PACKAGING SPECS AS PER GS-14-920
- d - LEGAL STATEMENT: SEE GS-47-0004

7. OPTIONS : - = POLYBAG PACKAGING

- T = TUBE PACKAGING WITHOUT PICK UP CAP
- K = TAPE & REEL PACKAGING, WITHOUT PICK UP CAP ONLY FOR P/N 77311-462K04(LF) AND 77311-462K05(LF)
- KC = TAPE & REEL PACKAGING WITHOUT PICK UP CAP AND WITH HIGH RETENTION FEATURES
- KV = TAPE & REEL PACKAGING WITHOUT PICK UP CAP FOR CUSTOMER DEDICATED PART ONLY FOR P/N 77311-462K04LF
- C = HIGH RETENTION FEATURES, SEE SHEET 2
- R = RETENTION FEATURES, SEE SHEET 2
IF RETENTION FEATURE "R" AND TUBE PACKAGING "T" ARE BOTH REQUIRED
OPTIONAL LETTER "R" WILL APPEAR INSTEAD OF THE FIRST DASH
EXAMPLE : 77311R424T03LF
- V = BLIBOX PACKAGING FOR CUSTOMER DEDICATED PART. ONLY FOR 77311-4BNV01LF



mat'l. code		surface		tolerance		projection		product family	
SEE NOTES		ISO 1302 ✓		ISO 406 ISO 1101		mm		BERGSTIK	
ltr	ecn no	dr	date	tolerances unless otherwise specified		mm		title	
				angles	linear	mm		UNSHR.HEADER STR SR TMT	
					.X ±0.3	scale 5:1		dwg no	
CR	F-28445	DDE	17.11.10		.XX ±0.15			sheet 1 of 3 size	
CS	F-29484	DDE	18.03.08	dr	.XXX ±0.05			77311 A3	
CT	F-31328	LMU	18.09.20	enr				type CUSTOMER Drawing	
CU	F-33636	LMU	19.05.22	chr					
CV	F-35304	LMU	19.11.04	appd					
sheet index	revision	CV	BX	L					
	1	2	3						

1

2 3

4

5

6

PLATING

1 = 0.76 μ m GOLD/GXT ON CONTACT AREA, 2 μ m TIN MIN ON TAIL
 4 = 2 μ m TIN MIN FULL PLATED
 5 = 0.25 μ m GOLD/GXT ON CONTACT AREA, 2 μ m TIN MIN ON TAIL
 8 = 0.38 μ m GOLD/GXT ON CONTACT AREA, 2 μ m TIN MIN ON TAIL
 G = 0.76 μ m FULL GXT
 S = 0.38 μ m FULL GXT
 T = 2 μ m TIN MIN FULL PLATED INCLUDED PIN TYP
 - 1.27 μ m NICKEL MIN UNDERLAYER FOR ALL PLATING VERSIONS

RETENTION FEATURES :

1 - PART NUMBER 77311-XXXXRXXLF: DIM "Z"=(0.99)
 PART NUMBER 77311-XXXXCXXLF: DIM "Z"= 1.05MIN -1.15MAX
 2 - PINS "A" AND "B" USED FOR RETENTION.
 3 - DIRECTION OF RETENTION SHOWN BY ARROWS.
 4 - ON 4 TO 36 POSITIONS HEADER; RETENTION IS IN MID POSITION OF HEADER (4 CENTRAL PINS)
 5 - FOR RETENTION OPTION , SOLDER TAIL LENGTH TO BE 2.9 MIN UP TO 3.5 MAX.
 6 - HOUSING MATERIAL FOR P/N 77311-4AJC03LF & 77311-TAJC03LF HIGH TEMPERATURE THERMOPLASTIC UL94V-0 COLOR : NATURAL

PLATING SPECIFICATIONS :

7 - ONLY FOR PLATING 1XX, 8.0MM GOLD / GXT PLATING AREA FROM PIN TYPE ON MATING SIDE

RETENTION FEATURES

1.7 REF
 DIM "Z"
 SEE NOTE 1

Amphenol
FCI
FCconnect.com

Copyright FCI

mat'l. code		surface		tolerance		projection		product family	
		ISO 1302		ISO 406 ISO 1101		mm		BERGSTIK	
ltr ecn no dr date		tolerances unless otherwise specified		angles		linear		title	
BU B-20596 AMA 15.03.30								UNSHR.HEADER	
BV F-22085 LMU 15.10.05								STR SR TMT	
BW F-22100 AMA 15.10.08						scale N/A		dwg no	
BX F-26241 LMU 17.03.01		dr		D.LE		01.01.24		sheet 2 of 3	
		enr		JM.C		01.01.24		size	
BS B-20169 BVE 15.02.12		chr		JM.C		01.01.24		A3	
BT B-20497 BVE 15.03.18		appd		JF.N		01.01.24		type	
sheet index		revision sheet						CUSTOMER Drawing	

form: A3

1

2

PDS: Rev :CV

STATUS:Released

Printed: Nov 04, 2019

5

6

PRODUCTS SPECIFICATIONS

PIN STYLE	MATING	SOLDER	OAL
01	5.84	2.41	10.8
02	5.84	3.42	11.8
03	5.72	5.09	13.35
05	5.72	10.14	18.4
08	5.72	17.78	26.04
11	5.72	5.94	14.20
15	8.51	2.55	13.6
18	5.84	3.05	11.43
19	12.83	3.03	18.4
20	15.37	3.04	20.95
22	7.75	3.05	13.35
24	6.75	2.9	12.2
25	8.51	3.18	14.22
27	6.6	2.65	11.8
26	15.57	2.84	20.95
29	17.5	3.46	23.5
32	10.3	3.05	15.9
38	5.84	3.82	12.2
39	11.2	3.05	16.8
46	8.08	2.98	13.6
54	8.08	3.81	14.43
58	14.47	3.05	20.06
62	13.5	3.05	19.09
70	6.54	3.50	12.57
83	20.46	3.00	26.00
85	5.72	8.51	16.76
87	6.98	3.05	12.57
91	5.6	10.21	18.35
92	5.65	12.76	20.95
93	6.00	4.81	13.35
94	15.60	3.20	21.25
95	10.00	8.45	20.95
96	10.95	3.05	16.55
97	9.00	3.55	15.09
98	3.00	1.35	6.84
99	24.00	3.05	29.50
AA	5.72	15.24	23.50
AB		N/A	2.79

NOTE 7

PRODUCTS SPECIFICATIONS

PIN STYLE	MATING	SOLDER	OAL
AC	7.21	3.05	12.80
AD	17.53	3.43	23.50
AE	4.99	2.80	10.33
AF	5.72	3.05	11.30
AG	5.84	4.95	13.33
AH	14.31	3.20	20.05
AJ	8.90	3.40	14.85
AK	25.06	3.00	30.80
AL	3.30	3.30	9.14
AM	9.26	3.05	14.85
AN	7.60	4.40	14.47
AP	7.80	3.30	13.60
AR	18.86	2.41	23.81
AS	11.91	1.45	15.90
AT	4.60	4.60	11.61
AU	12.10	3.10	17.70
AV	6.30	6.30	15.10
AW	9.16	1.80	13.50
AX	5.08	2.43	10.05
AY	7.49	3.47	13.50
BA	8.08	2.75	13.37
BB	10.80	2.15	15.50
BC	8.08	3.81	14.43
BD	10.10	2.16	14.80
BE	13.65	2.41	18.60
BF	2.54	5.32	10.40
BG	4.98	1.85	9.23
BH	4.69	2.41	9.50
BJ	7.21	6.15	15.90
BK	6.86	2.65	12.05
BL	17.70	3.25	23.50
BM	10.96	3.70	16.20
BN	19.46	3.00	25.00
BP	8.80	3.20	14.50
BR	19.46	4.00	26.00
BS	5.72	11.05	19.30
BT	8.50	5.36	16.40
BU	3.80	3.80	10.14
BV	5.08	2.79	10.40

NOTE 6

Amphenol FCI FCconnect.com

Copyright FCI

mat'l. code		surface		tolerance		projection		product family	
		ISO 1302 <input checked="" type="checkbox"/>		ISO 406 ISO 1101				BERGSTIK	
ltr	ecn no	dr	date	tolerances unless otherwise specified		mm		title	
H	F-29484	DDE	18.03.08	angles	linear			UNSHR.HEADER	
J	F-31328	LMU	18.09.20			scale N/A		STR SR TMT	
K	F-33636	LMU	19.05.22					dwg no	
L	F-35304	LMU	19.11.04	dr	A.MA	15.10.08	sheet 3 of 3		size
				enr	L.MU	15.10.08	77311		A3
				chr	J.CO	15.10.08	type		Drawing
G	F-28445	DDE	17.11.10	appd	ASO	15.10.08	CUSTOMER		
sheet index	revision sheet								

