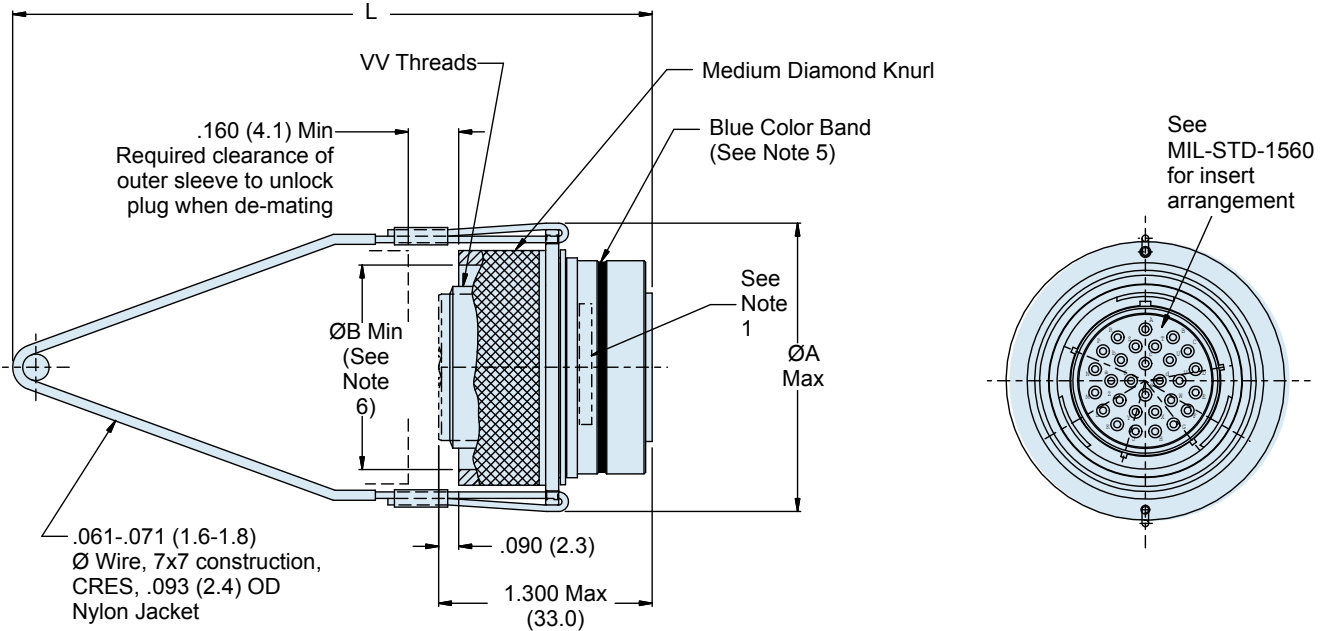
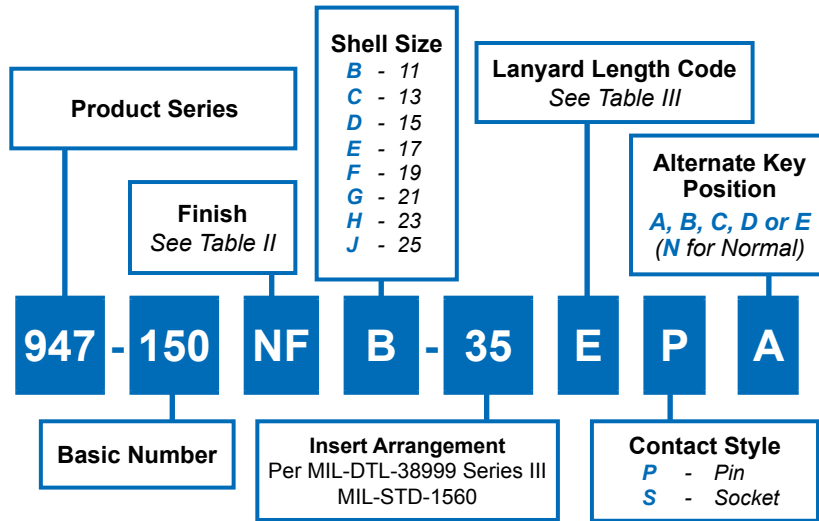


# 947-150 Quick Disconnect Plug Connector MIL-DTL-38999 Series III Type



**TABLE I: CONNECTOR DIMENSIONS**

Shell Size	Shell Size Code	A Max	B Min	W Thread
09	A	1.720 (43.7)	.977 (24.8)	M12x1-6g-0.100R
11	B	1.746 (44.3)	1.003 (25.5)	M15x1-6g-0.100R
13	C	1.872 (47.5)	1.177 (29.9)	M18x1-6g-0.100R
15	D	2.104 (53.4)	1.299 (33.0)	M22x1-6g-0.100R
17	E	2.204 (56.0)	1.425 (36.2)	M25x1-6g-0.100R
19	F	2.230 (56.5)	1.535 (39.0)	M28x1-6g-0.100R
21	G	2.472 (62.8)	1.661 (42.2)	M31x1-6g-0.100R
23	H	2.374 (60.2)	1.787 (45.4)	M34x1-6g-0.100R
25	J	2.494 (63.3)	1.909 (48.5)	M37x1-6g-0.100R

**TABLE II: FINISH**

SYM	FINISH
M	Electroless Nickel
Z1	CRES, Passivated
ZL	CRES, Electrodeposited Nickel
MT	Ni-PTFE 1000 Hour Grey™ (Nickel-Fluorocarbon Polymer)
NF	Cadmium O.D. Over Electroless Nickel
N	Cadmium O.D. Over Nickel Plate

**947-150**  
**Quick Disconnect Plug Connector**  
**MIL-DTL-38999 Series III Type**



**TABLE III: LANYARD LENGTH CODE**

CODE	L ± .236 (±6)	CODE	L ± .236 (±6)	CODE	L ± .236 (±6)	CODE	L ± .236 (±6)
A	4.016 (102)	G	7.007 (178)	M	10.000 (254)	U	13.031 (331)
B	4.527 (115)	H	7.519 (191)	N	10.511 (267)	V	14.015 (356)
C	5.000 (127)	I	7.992 (203)	P	11.023 (280)	W	15.000 (381)
D	5.511 (140)	J	8.503 (216)	R	11.535 (293)	X	16.023 (407)
E	6.024 (153)	K	9.015 (229)	S	12.007 (305)	Y	17.007 (432)
F	6.535 (166)	L	9.527 (242)	T	12.519 (318)	Z	18.031 (458)

**TABLE IV: SEPARATION FORCES MAX**

SHELL SIZE	STRAIGHT PULL [NEWTON]	15 DEGREE PULL [NEWTON]
09	44.96 LBS [200]	55.08 LBS [245]
11	44.96 LBS [200]	55.08 LBS [245]
13	44.96 LBS [200]	55.08 LBS [245]
15	44.96 LBS [200]	55.08 LBS [245]
17	89.92 LBS [400]	100.04 LBS [445]
19	89.92 LBS [400]	100.04 LBS [445]
21	89.92 LBS [400]	100.04 LBS [445]
23	89.92 LBS [400]	100.04 LBS [445]
25	89.92 LBS [400]	100.04 LBS [445]

**TABLE V: SUPPLIED COMPONENTS**

Contact Size	Contact Pin P/N	Contact Socket P/N	Sealing Plug P/N	Insert/Remove Tool P/N
22D	M39029/58-360	M39029/56-348	M27488-22	M81969/14-01
20	M39029/58-363	M39029/56-351	M27488-20	M81969/14-10
16	M39029/58-364	M39029/56-352	M27488-16	M81969/14-03
12	M39029/58-365	M39029/56-353	M27488-12	M81969/14-04
12	M39029/102-558 COAX	M39029/103-559 COAX	M27488-12	M81969/14-04
8	M39029/60-367 COAX	M39029/59-366 COAX	M27488-8	M81969/14-06
8	M39029/90-529 TWINAX	M39029/91-530 TWINAX	M27488-8	M81969/14-06

**APPLICATION NOTES**

- Assembly to be identified with Glenair's name and part number.
- Material/finishes:  
 Shell, coupling sleeve, lanyard ring,  
 Inner sleeve, locking—al alloy or CRES/see Table II  
 Contacts—copper alloy/gold plate (purchased separately)  
 Insulators—high grade rigid dielectric/N.A.  
 Seals—fluorosilicone/ N.A.
- This connector mates with MIL-DTL-38999/20, /21, /23, /24, /25, and /27.
- Dimensions in parenthesis are metric and for reference.
- Blue color band indicates rear release retention system.
- Dim B is clearance to accommodate AS85049 accessories.
- For backshell extender consult factory.
- Contacts, insertion/removal tools and sealing plugs are purchased separately. For more information please see catalog introduction.
- Metric dimensions (mm) are indicated in parentheses.