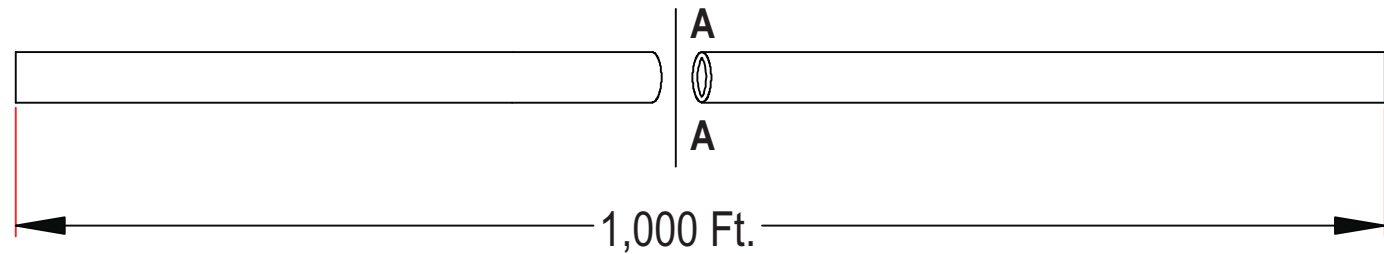


1 2 3 4 5 6 7

A

A

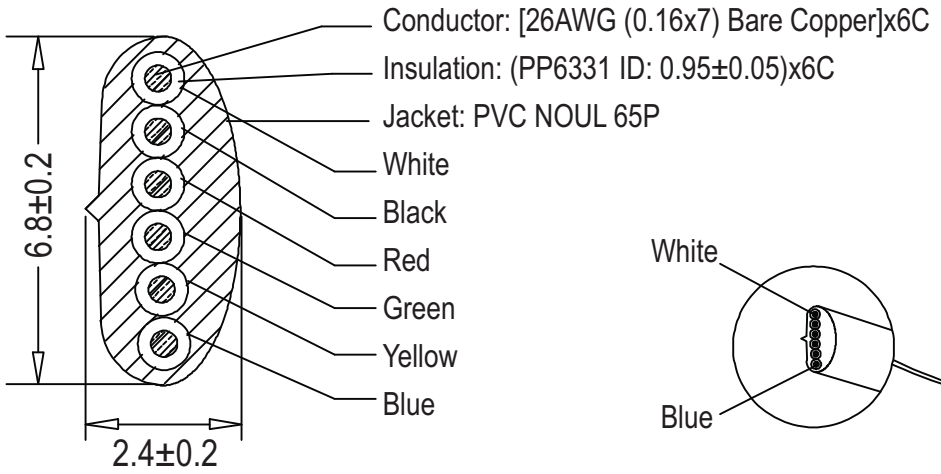


B

B

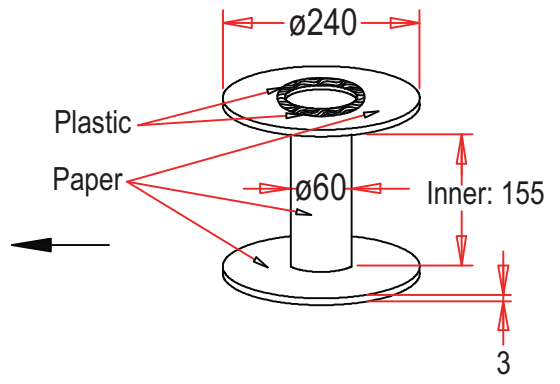
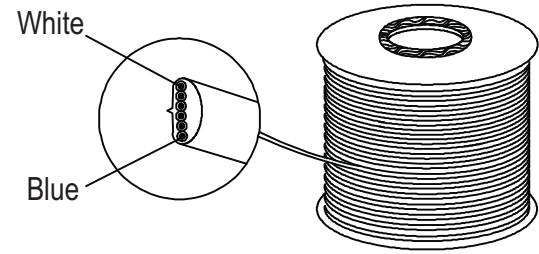
C

C



D

D



E

E

Sec: A - A

1,000Ft/R. "PE" Foam Wrapped

Unit: MM

G

G

Scale	1:1						Name
TOLERANCE					Drawn	11.18.11	Chappell
X.X	±0.40				Approved		
X.XX	±0.25						
X.XXX	±0.15						
Angle	±3°						
		Modification	Date	Name			

Item No.	AT-K-26-6-W/1000-R
Title	Modular Straight cable - Raw, 6 Contact, 26AWG, White, 1000Ft
Drawing No.	
Replace	Sheet

rev00

H

H



1 2 3 4 5 6 7