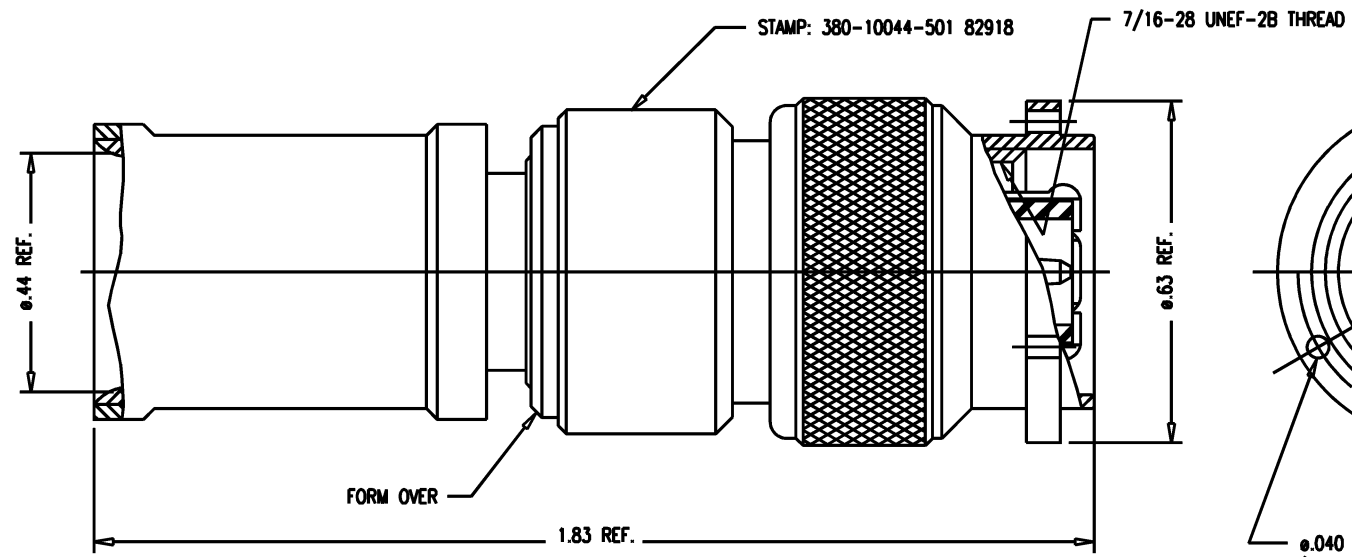
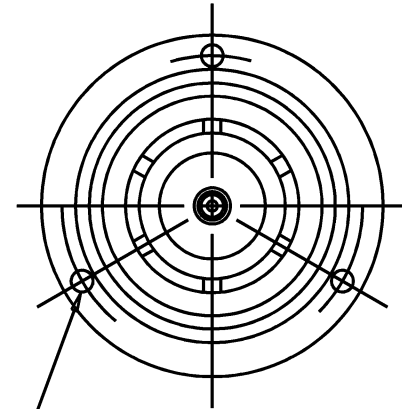


DASH NO.	M CODE	MADE FROM
----------	--------	-----------



GSD



KA-59-185-MC7

- NOTES:
- FOR USE WITH RG-9, 214/U, & BA-6903 CABLE.
 - FOR CABLING INSTRUCTIONS SEE CP-5402.
 - FOR CRIMPING USE CRIMP DIE KTH-2079.
 - ITEMS ① & ⑤ TO BE SUPPLIED UNASSEMBLED.
 - SAME AS KA-59-185 EXCEPT FOR FINISH AND MARKING.
 - INTERFACE PER MIL-STD-348, FIG. 313-1.
 - PLACE TAG IN BAG:
91836
YRWK (DATE CODE)
KA-59-185-MC7
 - MATERIALS:
OUTER CONTACT: BER. COP., ASTM-B-194
INSULATOR: TEFLON, ASTM-D-4894
GASKET: SILICONE RUBBER, ZZ-R-765
C-RING: PHOS. BRONZE, ASTM-B-103
K-GRIP SLEEVE: PHOS. BRONZE, ASTM-B135
ALL OTHER METAL PARTS: BRASS, ASTM-B16
 - FINISHES:
CENTER CONTACT: HARD GOLD PLATE PER MIL-C-45204
ALL OTHER METAL PARTS: SILVER PLATE PER QQ-S-365
 - ELECTRICAL CHARACTERISTICS:
NOMINAL IMPEDANCE: 50 OHMS
FREQUENCY RANGE: DC TO 11GHz
WORKING VOLTAGE: 500 VOLTS RMS

REVISIONS

ISSUE	CHANGES
0	ER 28592 AJ 01/21/87
1	CN 29041 A EAJ 06/25/87
2	CN 29966 A JCA 06/29/88
3	CN 32648 A WJM 10/31/90
4	CN 33220 C KH 08/16/91
5	CN 38728 E BDH 12/03/02

SCALE 4:1

APPROX SURFACE AREA

USED ON

REF: BOEING 380-10044-501 REV. D

PLUG, TNC

DRAWN AJ DATE 01/21/87

DESIGN VLS DATE 01/22/87

APPR. DATE

KINGS
ELECTRONICS CO., INC.
ROCK HILL, SOUTH CAROLINA 29730

GSD

KA-59-185-MC7