

2.00mm (0.079") PITCH CONNECTOR

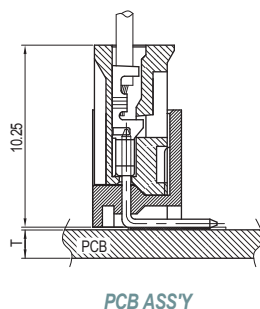
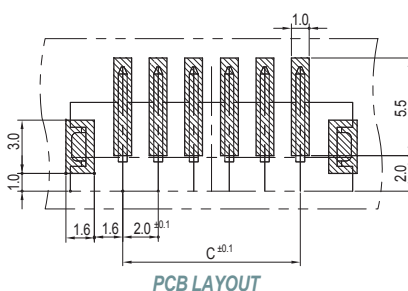
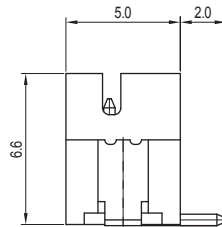
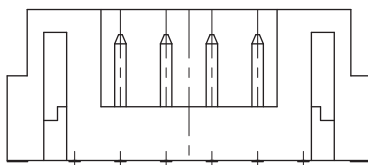
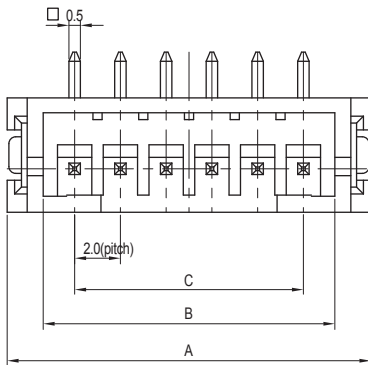
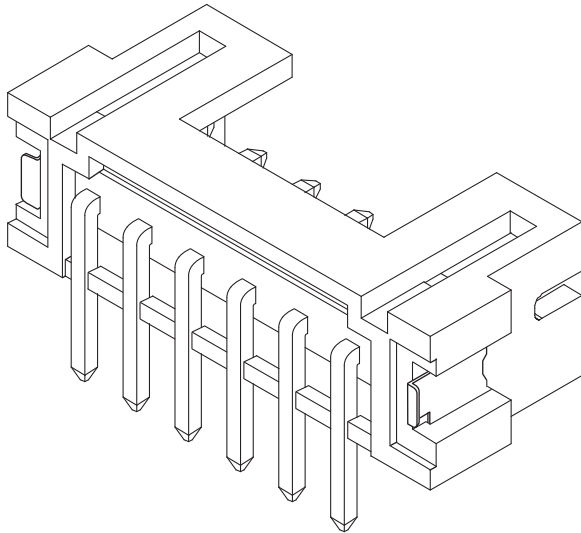


Wire-to-Board
Wafer

20022WS Series

SMT

Straight



Material

| I/NO | DESCRIPTION | TITLE | MATERIAL |
|------|-------------|---------|----------------------------|
| 1 | WAFER | 20022WS | PA6T or PA46, UL 94V Grade |
| 2 | PIN | | Brass & Tin Plated |
| 3 | HOOK | 15001LR | Brass & Tin Plated |

Available Pin

| PARTS NO. | DIM. A | DIM. B | DIM. C |
|---------------|--------|--------|--------|
| 20022WS-02A00 | 7.9 | 4.75 | 2.0 |
| 20022WS-03A00 | 9.9 | 6.75 | 4.0 |
| 20022WS-04A00 | 11.9 | 8.75 | 6.0 |
| 20022WS-05A00 | 13.9 | 10.75 | 8.0 |
| 20022WS-06A00 | 15.9 | 12.75 | 10.0 |
| 20022WS-07A00 | 17.9 | 14.75 | 12.0 |
| 20022WS-08A00 | 19.9 | 16.75 | 14.0 |
| 20022WS-09A00 | 21.9 | 18.75 | 16.0 |
| 20022WS-10A00 | 23.9 | 20.75 | 18.0 |
| 20022WS-11A00 | 25.9 | 22.75 | 20.0 |
| 20022WS-12A00 | 27.9 | 24.75 | 22.0 |
| 20022WS-13A00 | 29.9 | 26.75 | 24.0 |
| 20022WS-14A00 | 31.9 | 28.75 | 26.0 |
| 20022WS-15A00 | 33.9 | 30.75 | 28.0 |

Specification

| ITEM | SPEC |
|------------------------|--------------|
| Voltage Rating | AC/DC 125V |
| Current Rating | AC/DC 2A |
| Operating Temperature | -25°C~+85°C |
| Contact Resistance | 30mΩ MAX |
| Withstanding Voltage | AC1000V/1min |
| Insulation Resistance | 1000MΩ MIN |
| Applicable Wire | - |
| Applicable P.C.B | 0.8mm~1.6mm |
| Applicable FPC/FFC | - |
| Solder Height | 0.15mm |
| Crimp Tensile Strength | - |
| UL FILE NO | - |