

PLEASE CHECK WWW.MOLEX.COM FOR LATEST PART INFORMATION

Part Number: **0192160010**
Status: **Active**
Description: Ultimate Wire Tap, Blue, 14-18 AWG

Documents:

[Drawing \(PDF\)](#) [RoHS Certificate of Compliance \(PDF\)](#)

Agency Certification

CSA LR18689
 UL E79133

General

Product Family IDT and Solder Connectors
 Series 19216
 Crimp Quality Equipment Yes
 MolexKits Yes
 Product Name Wire Tap

Physical

Circuits (Loaded) 1
 Color - Resin Natural
 Durability (mating cycles max) 25
 Flammability 94V-2
 Gender N/A
 Glow-Wire Compliant No
 Lock to Mating Part None
 Material - Metal Phosphor Bronze
 Material - Resin Nylon
 Number of Rows 0
 Packaging Type Bag
 Panel Mount No
 Pitch - Mating Interface (in) 0.000 In
 Pitch - Mating Interface (mm) 0.00 mm
 Pitch - Term. Interface (in) 0.000 In
 Pitch - Term. Interface (mm) 0.00 mm
 Polarized to Mating Part Yes
 Stackable No
 Temperature Range - Operating 105°C
 Wire Insulation Diameter N/A
 Wire Size AWG 14, 16, 18

Electrical

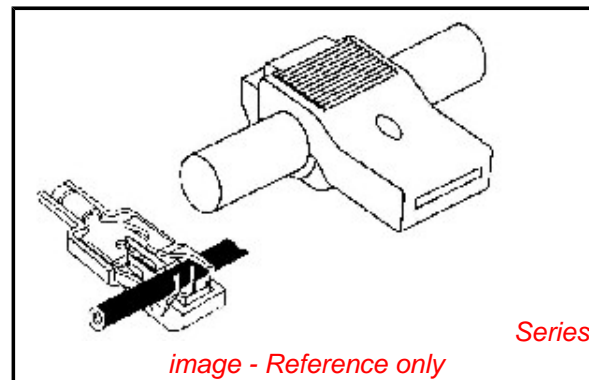
Voltage - Maximum 600V

Material Info

Old Part Number WT-1814

Reference - Drawing Numbers

Sales Drawing SD-19216-001



EU RoHS

**ELV and RoHS
Compliant**

REACH SVHC

Not Reviewed

Halogen-Free

Status

Not Reviewed

**Need more information on product
environmental compliance?**

Email productcompliance@molex.com
 For a multiple part number RoHS Certificate of
 Compliance, [click here](#)

Please visit the [Contact Us](#) section for any
 non-product compliance questions.

China RoHS



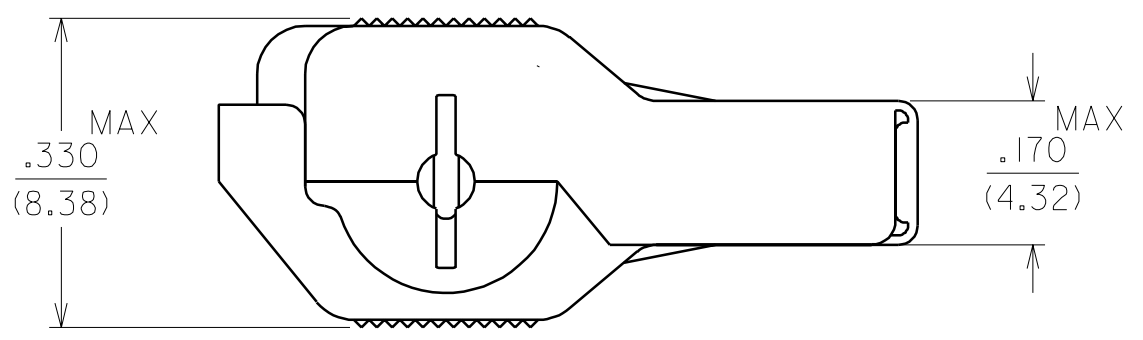
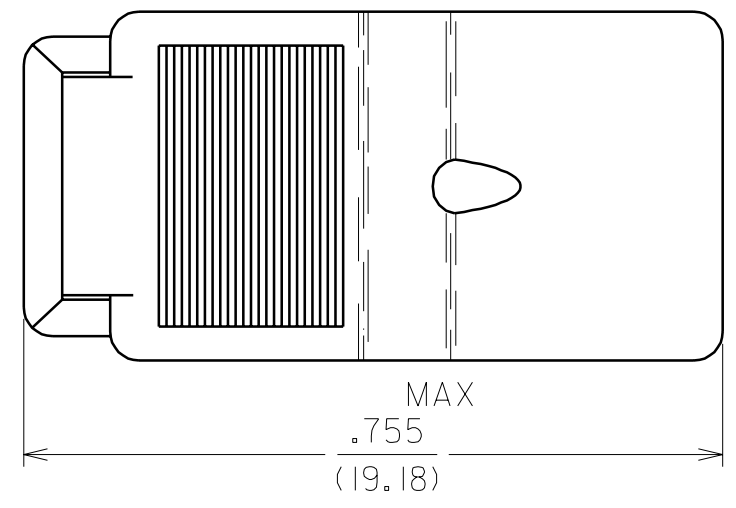
Search Parts in this Series

[19216Series](#)

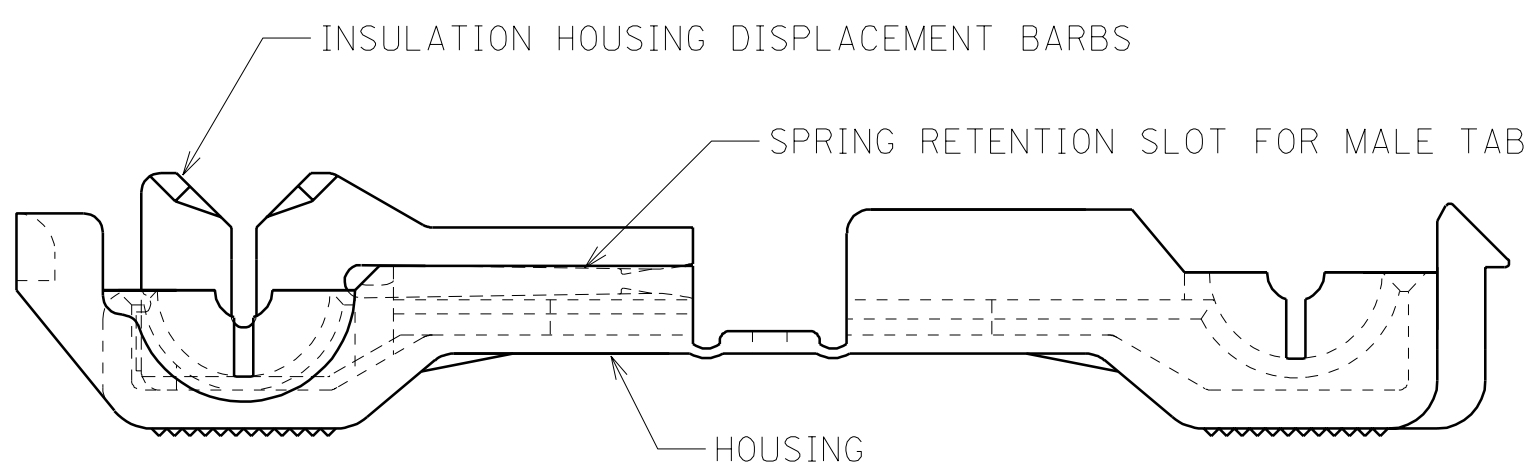
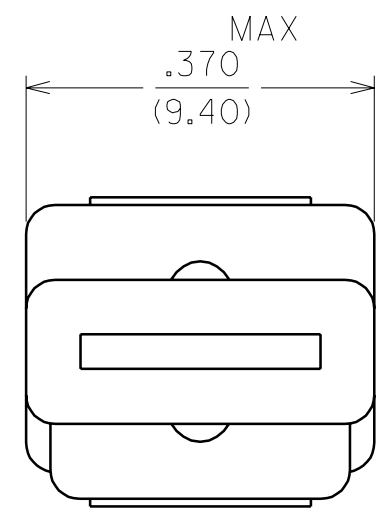
Mates With

Male Quick Disconnect

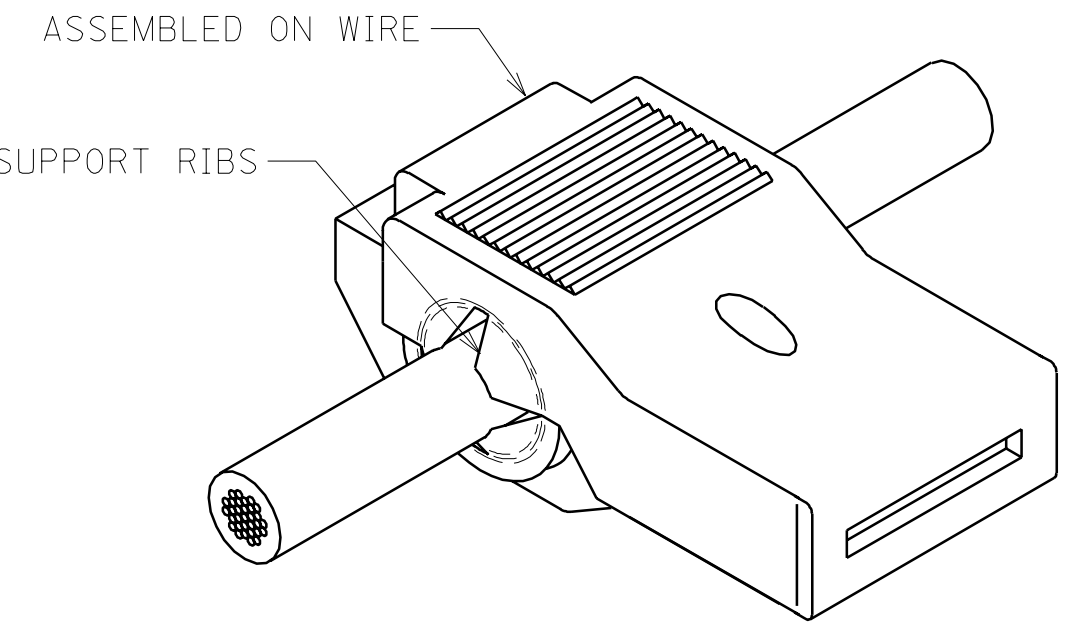
| MATERIAL NO. | ALTERNATE NO. | WIRE RANGE AWG(mm2) | HOUSING COLOR |
|--------------|---------------|------------------------|------------------|
| 192160011 | WT-2218 | 22-18(.34-.75) | RED |
| 192160010 | WT-1814 | 18-14(.75-2.5) | BLUE |
| 192160009 | WT-12 | 12(4.0) | YELLOW |



CLOSED POSITION AFTER ASSEMBLY ON WIRE



OPEN POSITION PRIOR TO ASSEMBLY ON WIRE



- NOTES:
- MATERIALS
HOUSING: UNFILLED NYLON UL FLAMMABILITY
RATING 94V-2
COLOR: SEE TABLE
TERMINAL: COPPER ALLOY
 - FINISH
TERMINAL: TIN

| | |
|------|--|
| B | VOIDS DWG. WT-CD ETC2000-0001 HEB 99/7/2 |
| A | SEE ECN* 1137 09/08/94 RCM |
| LTR. | REVISIONS |

CUSTOMER DRAWING

| | | | |
|---|-----------------|-----------------------------------|--------------------|
| DIMENSIONS SHOWN (METRIC) INCH | | REVISE ONLY ON CAD SYSTEM | |
| UNLESS OTHERWISE SPECIFIED TOLERANCES: ANGULAR ± 1/2° | | TITLE WIRE TAP MULTIMATE | |
| | INCH | METRIC | |
| 3 PLACE | ± .005 | ± --- | |
| 2 PLACE | ± .01 | ± 0.13 | |
| 1 PLACE | ± --- | ± 0.25 | |
| DRAFT WHERE APPLICABLE MUST REMAIN WITHIN DIMENSIONS | | | |
| DRWG. BY RCM | CHK'D. BY JM | FILE NAME 19216001 SD | SCALE 5: 1 |
| APP'D. BY FP | | SHEET NO. DATE 1 OF 1 09/07/94 | |
| PART NO. SEE TABLE | | DRWG. NO. SD-19216-001 | |
| THIS DRAWING CONTAINS INFORMATION THAT IS PROPRIETARY TO MOLEX-ETC INC. AND SHOULD NOT BE USED WITHOUT WRITTEN PERMISSION. | | | |
| ETC | INC. | PINELLAS PARK, FLA. 33781 U.S.A. | DIV. SIZE ETC B |