

15

1532 05

## Jack connectors



Jack plug acc. to JIS C 6560 JC35P3, 3.5 mm, 3 poles/  
stereo, with threaded joint, straight version, with metal  
housing, bend protection and solder terminals

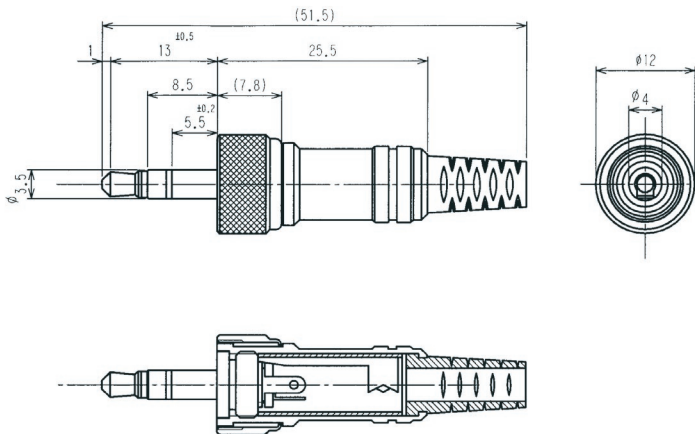
---

State: Active

---

15

1532 05



#### Environmental conditions

Temperature range -20 °C/+70 °C

#### Materials

Insulating body	PC
Contact	CuZn/steel, nickel-plated
Insulation	POM
Housing	CuZn, nickel-plated
Knurled nut	CuZn, nickel-plated
Bend protection sleeve	PVC

#### Connectable conductors for solder area

Cable diameter 4 mm

#### Electrical data (at T<sub>amb</sub> 20 °C)

Rated current	1 A
Rated voltage	34 V AC/DC
Rated impulse voltage	500 V/60 s
Insulation resistance	≥ 100 MΩ

#### Associated products

Counterparts  
[↗ 1502 04](#)      [↗ 1522 01](#)

15

1532 05

Designation	Pole Number	PU (Pieces)	MDQ (Pieces)
1532 05	3	100	200

**Packaging:**

in bulk, in a cardboard box or a plastic bag