

# PRODUCT DATA DRAWING

REVISION HISTORY			
REV	DESCRIPTION	DATE	APPROVED
B	REV. DCN 32852	03/05	VMJ

## MATERIALS:

INSULATORS: PTFE PER ASTM D1710, TYPE 1, GRADE 1, CLASS B.

SLEEVE: STAINLESS STEEL PER AMS-5640, ALLOY UNS S30300, TYPE 303, COND. A

BODY & CONTACT: BERYLLIUM COPPER PER ASTM B196, ALLOY C17300, COND. TD04

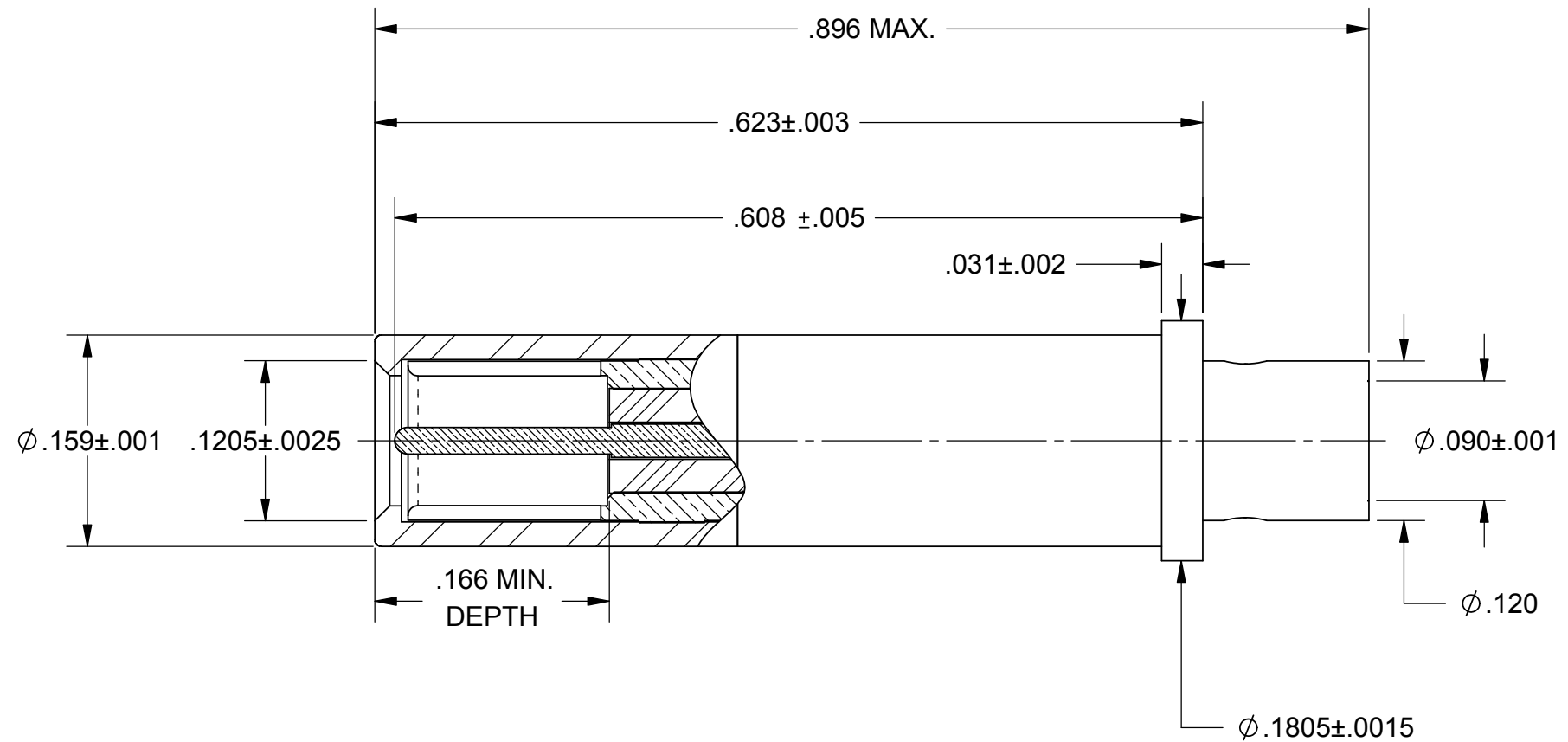
SHRINK TUBING: POLYOLEFIN PER SAE AMS-DTL-23053/5-105-0

## FINISHES:

BODIES & CONTACT: GOLD PER ASTM B488, TYPE II, GRADE C, CLASS 1.27 OVER NICKEL PER AMS-QQ-N-290 CLASS 1, .00005" MIN.

## ELECTRICAL:

IMPEDANCE: 50 OHMS  
 FREQ. RANGE: DC TO 3 GHz  
 INSUL. RES.: 5,000 MEGOHMS MIN.  
 D.W.V: 1,000 VRMS MIN.  
 VSWR: 1.20 + .04 X F IN GHz  
 INSERTION LOSS: .11 X SQUARE ROOT OF F(GHz)  
 (MAX FREQ. CAN BE LIMITED BY CABLE)



REF. AS39029/103 & MIL-DTL-38999 SERIES III

MATERIAL: SEE ABOVE	DIMENSIONS ARE IN INCHES TOLERANCES: FRACTIONAL: ±1/64 ANGULAR: X° ±1'0" X*X' ±15'	UNLESS OTHERWISE SPECIFIED 1) ALL DIMENSIONS ARE AFTER PLATING. 2) BREAK CORNERS & EDGES .005 R. MAX. 3) CHAM. 1ST & LAST THREADS. 4) SURFACE ROUGHNESS 63√ MIL-STD-10. 5) DIA.'S ON COMMON CENTERS TO BE CONCENTRIC WITHIN .005 T.I.R. 6) REMOVE ALL BURRS	<b>SV Microwave, Inc.</b> 2400 Centrepark West Drive, Suite 100 West Palm Beach, FL 33409 TITLE: <b>SIZE 12 SOCKET FOR T-FLEX 405 CABLE</b>
FINISH: SEE ABOVE	DECIMAL: X ±.030 .XX ±.010 .XXX ±.005	INTERPRET DIMENSIONS AND TOLERANCES PER ASME Y14.5M - 1994	
<b>PROPRIETARY</b> THE INFORMATION CONTAINED IN THIS DRAWING IS THE SOLE PROPERTY OF SV MICROWAVE, INC. ANY REPRODUCTION IN PART OR AS A WHOLE WITHOUT THE WRITTEN PERMISSION OF SV MICROWAVE, INC IS PROHIBITED.	THIRD ANGLE PROJECTION	DRAWN: VMJ 11/30/04	SIZE B CAGE CODE 95077 DWG. NO. 8001-4104
		CHECKED: JMC 11/30/04	SCALE: 8:1
		APPROVED: JMC 11/30/04	SHEET 1 OF 1
E.M. SIMULATION: N/A			