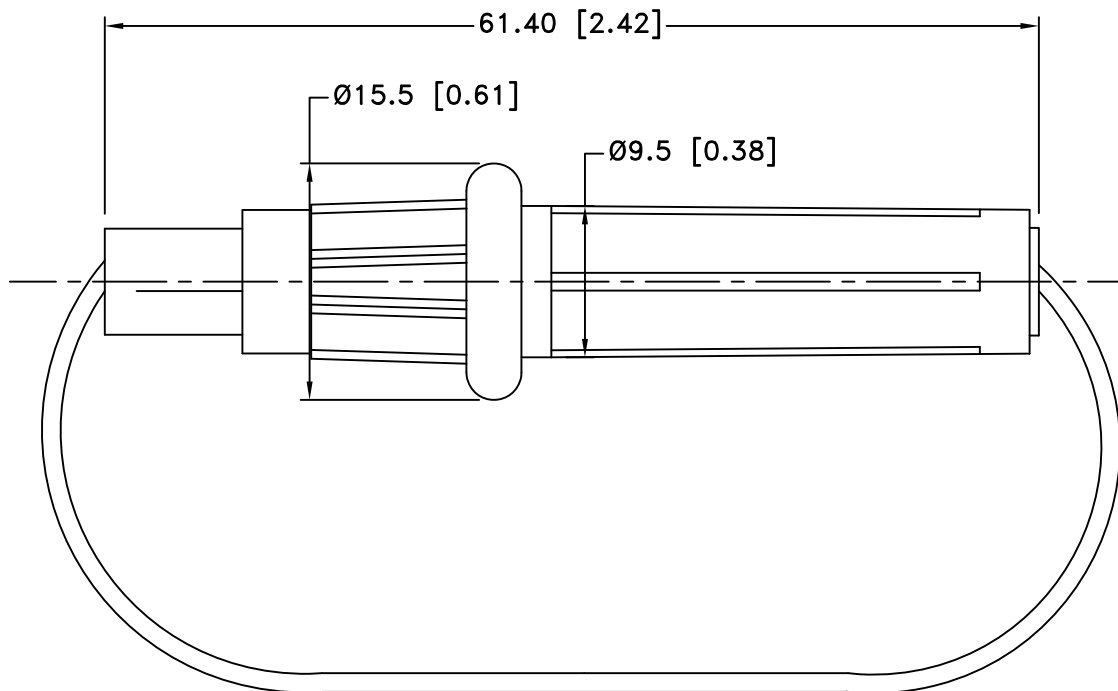
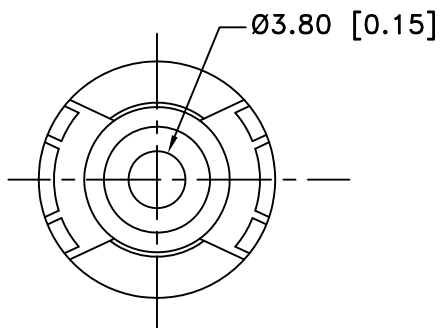



Date	SYM	REVISION RECORD	AUTH	DR.	CK.
04/02/05	A	ADDED MATERIAL SPECS	T.B.	B.S.	
05/14/05	B	ADDED TOTAL WIRE LENGTH	T.B.	B.S.	
12/16/06	C	ADDED "ROHS COMPLIANT"	T.B.	B.S.	
05/04/12	D	UPDATED LEAD WIRE NOTE	T.B.	B.S.	



NOTES:

1. MATERIAL:
HOUSING : NYLON, UL 94V-2, FILE NO. E41797(M)
2. LEAD WIRE IN LOOP: 16AWG, UL-CSA, 105°C, UL1015, 600V,
TOTAL LENGTH 8.125"
3. MAXIMUM CURRENT: 10A
4. INSULATION RESISTANCE AT 500V DC: 100MΩ MIN
5. CONTACT RESISTANCE: 5MΩ AT 1A DC
6. DIELECTRIC STRENGTH FOR 60 SECONDS: AC 1500V MIN
7. ROHS COMPLIANT

Tolerance (Except as noted)		Memory Protection Devices, Inc	
		200 Broad Hollow Road, Farmingdale, New York 11735	
decimal ±.5 (.020)		Scale	Drawn By B.S.
			Approved By T.B.
Fractional ± .8 (.030)	Title FUSED POWER CORD W/PLASTIC INLINE FUSE HOLDER		
	Date 05/04/12	Drawing Number BF301	