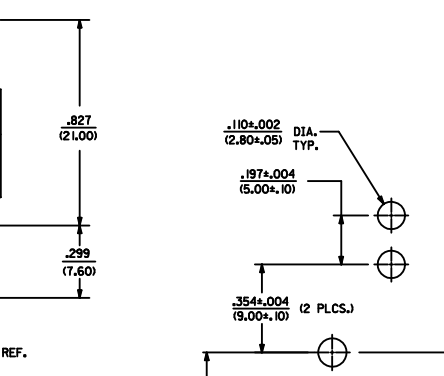
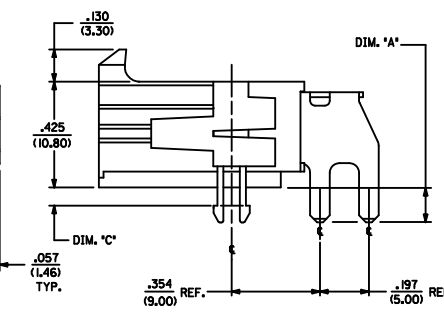
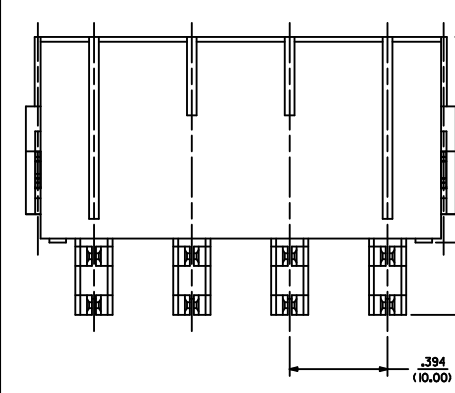
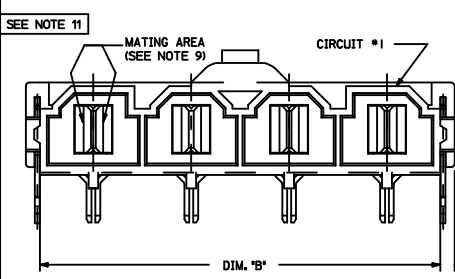


ITEM NUMBER	CKT. SIZE	DIM. 'A'	DIM. 'B'	DIM. 'C'	TERMINAL PLATING	CLIP PLATING
42820-2212	2	.138/(3.50)	.823/(20.90)	.071/(1.80)		
42820-2219	2	.136/(3.50)	.823/(20.90)	.071/(1.80)		
42820-2222	2	.201/(5.10)	.823/(20.90)	.102/(2.60)		
42820-2232	2	.201/(5.10)	.823/(20.90)	.134/(3.40)		
42820-2239	2	.201/(5.10)	.823/(20.90)	.134/(3.40)		
42820-2242	2	.327/(8.30)	.823/(20.90)	.259/(6.58)		
42820-3212	3	.138/(3.50)	1.217/(30.90)	.071/(1.80)		
42820-3222	3	.201/(5.10)	1.217/(30.90)	.102/(2.60)		
42820-3229	3	.201/(5.10)	1.217/(30.90)	.102/(2.60)		
42820-3232	3	.201/(5.10)	1.217/(30.90)	.134/(3.40)		
42820-3242	3	.327/(8.30)	1.217/(30.90)	.259/(6.58)		
42820-4212	4	.138/(3.50)	1.610/(40.90)	.071/(1.80)	OVERALL BRIGHT TIN	
42820-4312	4	.138/(3.50)	1.610/(40.90)	N/A		
42820-4222	4	.201/(5.10)	1.610/(40.90)	.102/(2.60)		
42820-4232	4	.201/(5.10)	1.610/(40.90)	.134/(3.40)		
42820-4242	4	.327/(8.30)	1.610/(40.90)	.259/(6.58)		
42820-5212	5	.138/(3.50)	2.004/(50.90)	.071/(1.80)	NONE	
42820-5222	5	.201/(5.10)	2.004/(50.90)	.102/(2.60)		
42820-5232	5	.201/(5.10)	2.004/(50.90)	.134/(3.40)		
42820-5242	5	.327/(8.30)	2.004/(50.90)	.259/(6.58)		
42820-6212	6	.138/(3.50)	2.389/(60.90)	.071/(1.80)		
42820-6222	6	.201/(5.10)	2.389/(60.90)	.102/(2.60)		
42820-6229	6	.201/(5.10)	2.389/(60.90)	.102/(2.60)		
42820-6232	6	.201/(5.10)	2.389/(60.90)	.134/(3.40)		
42820-6242	6	.327/(8.30)	2.389/(60.90)	.259/(6.58)		
42820-2332	2	.201/(5.10)	.823/(20.90)	N/A		
42820-2342	2	.327/(8.30)	.823/(20.90)	N/A		
42820-2213	2	.138/(3.50)	.823/(20.90)	.071/(1.80)		
42820-2223	2	.201/(5.10)	.823/(20.90)	.102/(2.60)		
42820-2233	2	.201/(5.10)	.823/(20.90)	.134/(3.40)		
42820-2243	2	.327/(8.30)	.823/(20.90)	.259/(6.58)		
42820-3213	3	.138/(3.50)	1.217/(30.90)	.071/(1.80)		
42820-3228	3	.138/(3.50)	1.217/(30.90)	.102/(2.60)		
42820-3223	3	.201/(5.10)	1.217/(30.90)	.102/(2.60)		
42820-3233	3	.201/(5.10)	1.217/(30.90)	.134/(3.40)		
42820-3243	3	.327/(8.30)	1.217/(30.90)	.259/(6.58)		
42820-4213	4	.138/(3.50)	1.610/(40.90)	.071/(1.80)		
42820-4223	4	.201/(5.10)	1.610/(40.90)	.102/(2.60)	SELECT GOLD IN CONTACT AREA	
42820-4233	4	.201/(5.10)	1.610/(40.90)	.134/(3.40)		
42820-4243	4	.327/(8.30)	1.610/(40.90)	.259/(6.58)	SELECT MATTE TIN ON SOLDER TAILS	
42820-5213	5	.138/(3.50)	2.004/(50.90)	.071/(1.80)		
42820-5223	5	.201/(5.10)	2.004/(50.90)	.102/(2.60)		
42820-5233	5	.201/(5.10)	2.004/(50.90)	.134/(3.40)		
42820-5243	5	.327/(8.30)	2.004/(50.90)	.259/(6.58)		
42820-6213	6	.138/(3.50)	2.389/(60.90)	.071/(1.80)		
42820-6223	6	.201/(5.10)	2.389/(60.90)	.102/(2.60)		
42820-6233	6	.201/(5.10)	2.389/(60.90)	.134/(3.40)		
42820-6243	6	.327/(8.30)	2.389/(60.90)	.259/(6.58)		



- NOTES:**
- MATERIAL:  
HOUSING MATERIAL: 30% GLASS-FILLED NYLON 4/6, U.L. 94V-0, COLOR: BLACK.  
TERMINAL MATERIAL: ALLOY 15L
  - FINISH: 2= .000100/(.00254) MIN. TIN OVER .000050/(.00127) MIN. NICKEL.  
3= .000030/(.00076) MIN. SELECT GOLD IN CONTACT AREA.  
.000100/(.00254) MIN. SELECT TIN ON SOLDER TAILS OVER .000050/(.00127) MIN. NICKEL.
  - PRODUCT SPECIFICATION: PS-42815-001
  - PACKAGING INFORMATION: SEE MOLEX PACKAGING SPEC. PK-42820-910
  - PART MATES WITH MOLEX RECEPTACLE \*42816-\*\*\*2 WITH TPA.
  - PART IS DESIGNED IN METRIC.
  - AN 'X' IN FRONT OF THE ITEM NUMBER INDICATES THE PART IS NOT TOOLED.
  - PARTS ARE NOT TO BE MATED OR UNMATED WHILE CIRCUITS ARE LIVE.
  - WHEN USING OVERALL TIN PLATED TERMINALS:  
FOR APPLICATIONS INVOLVING VIBRATION AND/OR THERMAL CYCLING, MOLEX STRONGLY RECOMMENDS THE USE OF NYE LUBRICANT (NYGEL 760G) ON THE MATING SURFACES OF THE TERMINAL.
  - PARTS CONFORMS TO CLASS 'B' REQUIREMENTS OF COSMETIC SPECIFICATION PS-45499-002
  - FOR TAPE AND REEL PACKAGING REFER TO PK-45986-004
- △ BOARD CLIP HOLE MAY OR MAY NOT BE PLATED. REFER TO CHART FOR PLATED / UNPLATED CLIPS.

**LEGEND:**

A-42820 - -

CIRCUIT SIZE (2-6)

**MOUNTING OPTION**

1 = FLANGES (SEE DWG. SDA-42820-\*\*\*)

2 = RETENTION CLIP

3 = NO RETENTION CLIP

**P.C. BOARD THICKNESS**

1 = .062/(1.57) NOMINAL

2 = .093/(2.36) NOMINAL

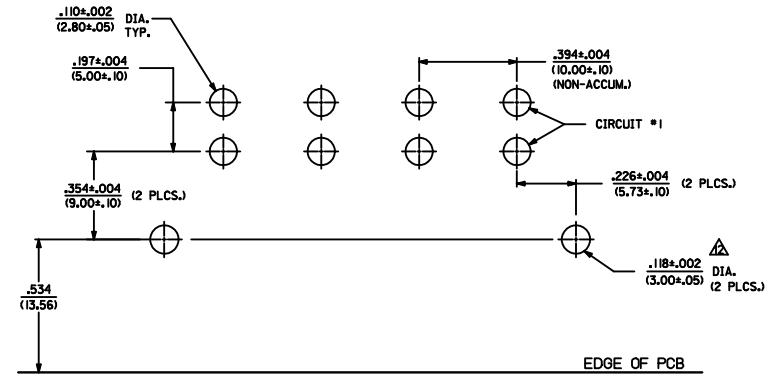
3 = .125/(3.18) NOMINAL

4 = .250/(6.35) NOMINAL

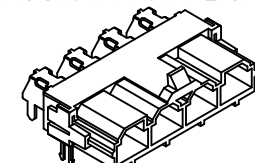
**PLATING**

2 OR 9= OVERALL BRIGHT TIN OVER NICKEL

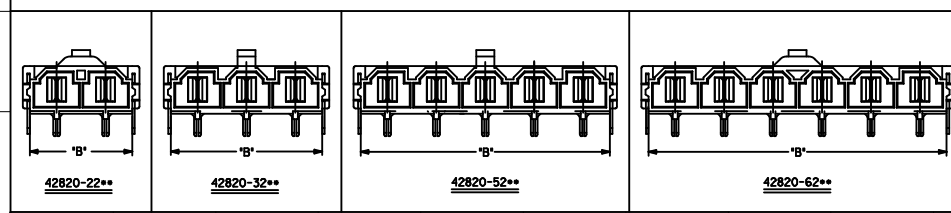
3 OR 8= SELECT GOLD IN CONTACT AREA  
SELECT MATTE TIN ON SOLDER TAILS OVER NICKEL



RECOMMENDED P.C. BOARD PLATED-THRU HOLE LAYOUT  
(4 CKT. SHOWN FOR REF.)



HEADER WITH RT. ANGLE TERMINAL & CLIP  
ISO VIEW



ADD P/N 42820-4312 EC NO. UCP2012-245 DRAWN: AELHAG CHKD: J.BELL APPR: F.S.MITH DATE: 2012/02/02 DATE: 2012/02/10 DATE: 2012/02/10	QUALITY SYMBOLS  	GENERAL TOLERANCES (UNLESS SPECIFIED)		DIMENSION STYLE IN/MM		SCALE 4:1	DESIGN UNITS METRIC	THIRD ANGLE PROJECTION
		4 PLACES ±.005 3 PLACES ±.005 2 PLACES ±.025 1 PLACE ±.040	INCH ±.005 ±.005 ±.005 ±.005	DRAWN BY AELHAG DATE 2010/08/05	CHECKED BY J.BELL DATE 2010/08/05	MATERIAL NO. SEE CHART DOCUMENT NO. SDA-42820-0002 SHEET NO. 1 OF 1		
DRAFT WHERE APPLICABLE MUST REMAIN WITHIN DIMENSIONS		MOLEX INCORPORATED		RIGHT ANGLE HEADER ASSEMBLY MINIFIT SR. SERIES				