



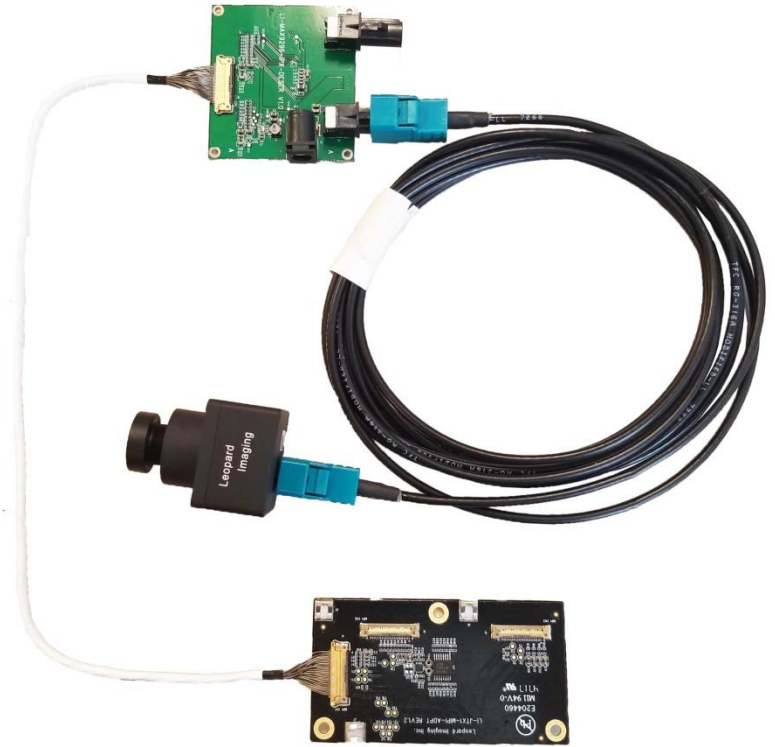
LEOPARD IMAGING INC

LI-JEVA-OV2311-FPDLINKIII-xxxH Data Sheet

Key Features

- Compatible with Nvidia Jetson TX1/TX2 Developer Kit
- Support one FPD-LINKIII camera
- OmniVision CMOS 2M Image Sensor OV2311
- Active pixels: 1600H x 1300V
- Pixel size: 3.0 um x 3.0 um
- Support Global shutter
- Monochrome camera
- Lens: FOV H 50 / 100 / 200
- TI953 FPD-Link III serializer
- Includes De-serializer to convert serial interface to MIPI interface
- Length of Fakra cable: 3 meters
- Support multiple length Fakra cables
- Length of the I-PEX cable: 300mm
- Support M12 lens
- Provide customization services
- Part#:

LI-JEVA-OV2311-FPDLINKIII-xxxH



Application

- Automotive driving
- Camera monitoring system
- Industrial bar code scanning

BOM

Nvidia TX1/TX2 Developer Kit not included

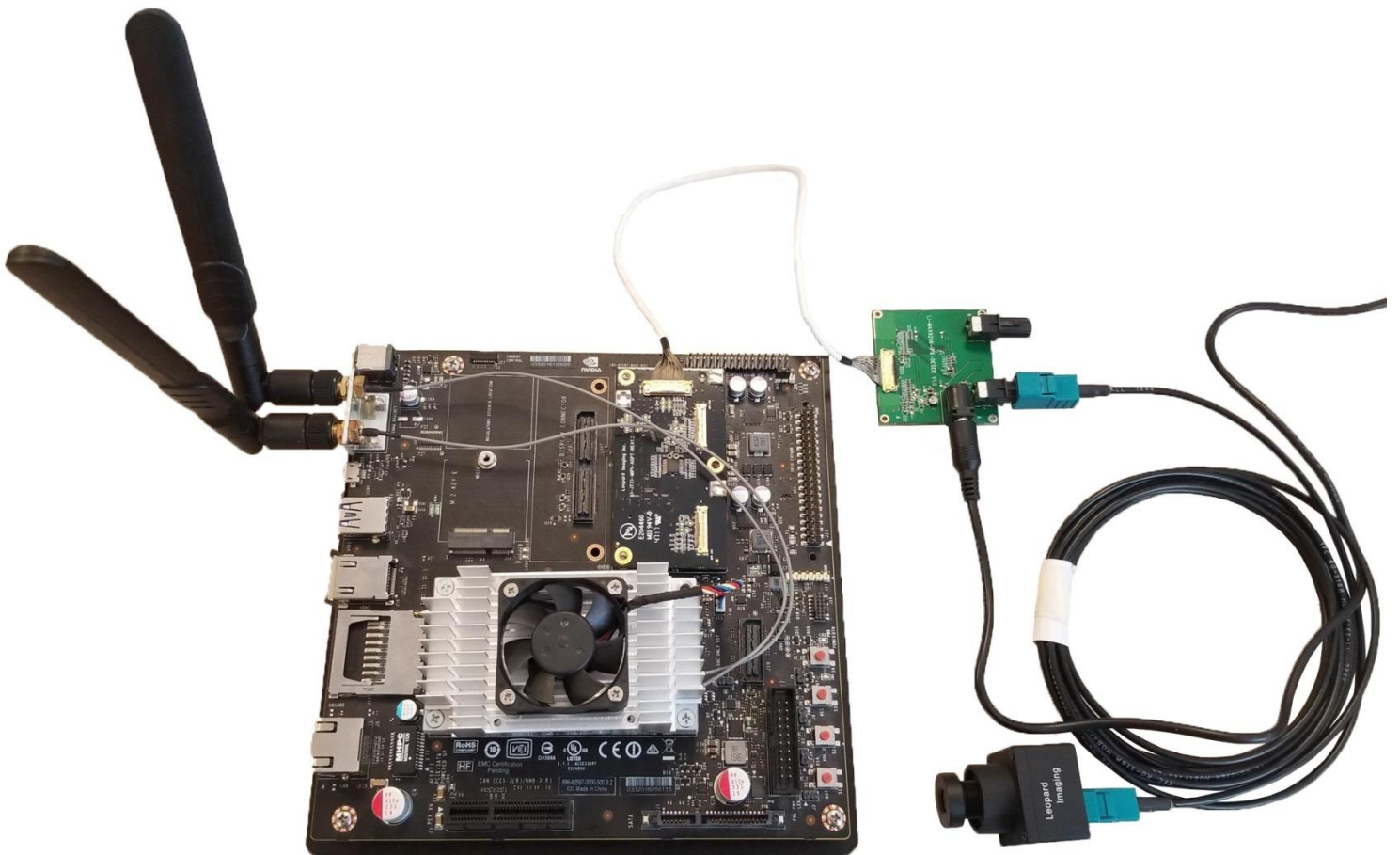
| # | Items | QTY |
|---|---------------------------|-----|
| 1 | LI-OV2311-FPDLINKIII-xxxH | 1 |
| 2 | FAK-SMZSMZ 3M | 1 |
| 3 | LI-TI954-IPX-DESER | 1 |
| 4 | FAW-1233-03 cable | 1 |
| 5 | LI-JTX1-MIPI-ADPT | 1 |
| 6 | LI-PS12-01 | 1 |



Leopard Imaging Inc.

1130 Cadillac Ct., Milpitas, CA 95035, USA
 Phone: +1-408-263-0988
 Fax: +1-408-217-1960
 Email: sales@leopardimaging.com
 Website: www.leopardimaging.com

Compatible with Nvidia Jetson TX1/TX2 Developer Kit

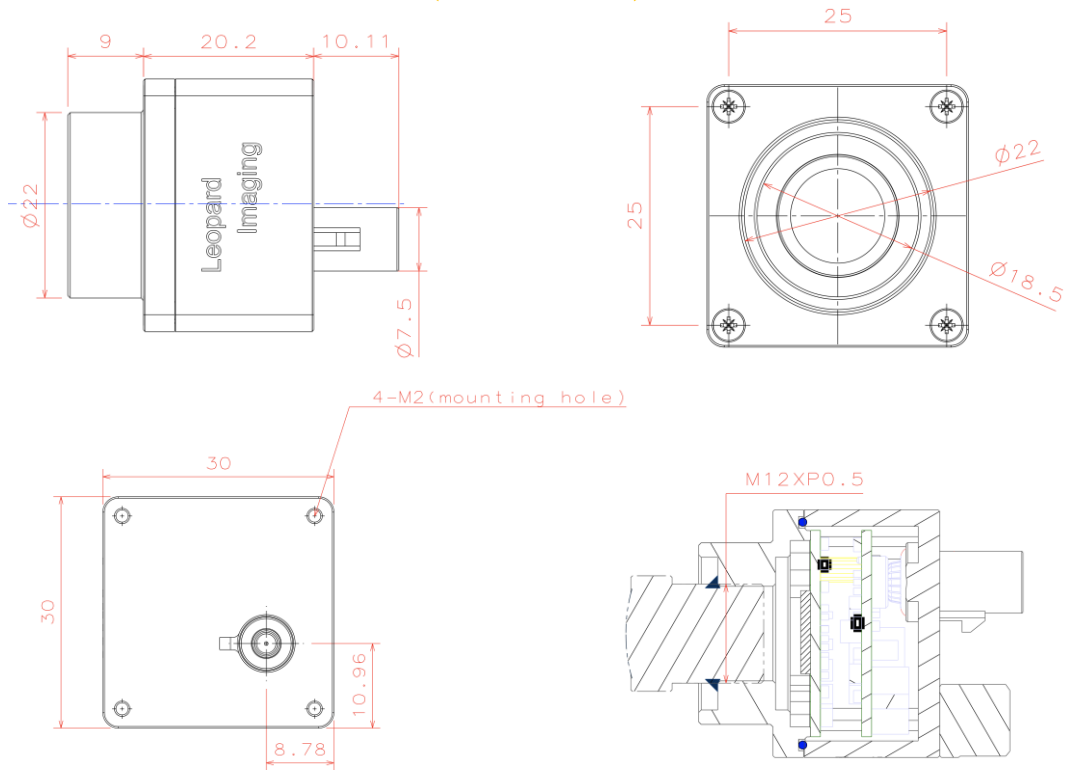


Leopard Imaging Inc.

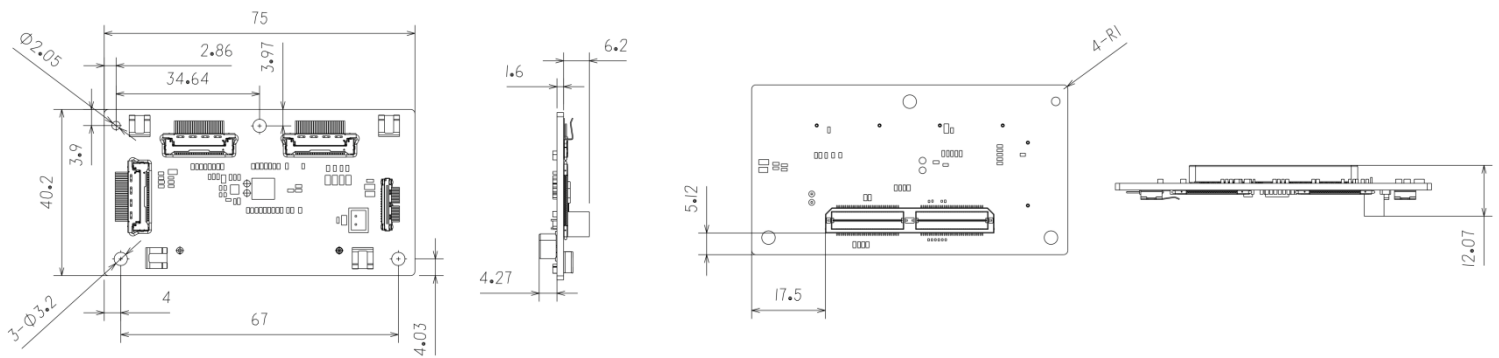
1130 Cadillac Ct., Milpitas, CA 95035, USA
Phone: +1-408-263-0988
Fax: +1-408-217-1960
Email: sales@leopardimaging.com
Website: www.leopardimaging.com

Dimensions

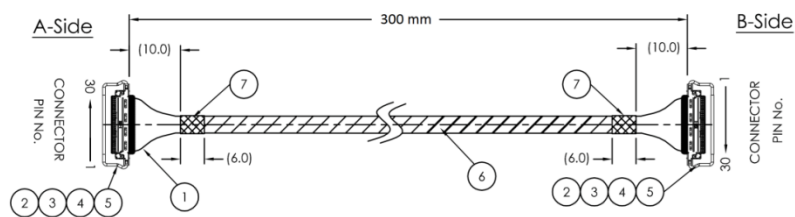
LI-OV2311-FPDLINKIII-xxxH (without lens)



LI-JTX1-MIPI-ADPT



FAW-1233-03



Leopard Imaging Inc.

1130 Cadillac Ct., Milpitas, CA 95035, USA
 Phone: +1-408-263-0988
 Fax: +1-408-217-1960
 Email: sales@leopardimaging.com
 Website: www.leopardimaging.com

| Camera Spec | |
|--|--|
| Image Sensor | OmniVision CMOS 2M Image Sensor OV2311 |
| Optical format | 1/2.9" |
| Number of active pixels | 1600 (H) x 1300(V) |
| Pixel size | 3.0um (H) x 3.0um (V) |
| Color or Mono | Mono |
| Interface | TI953 FPD-Link III Serial interface |
| Lens mount | M12 |
| Weight | 45 g |
| Operation Temp | -40 ~ 105 °C |
| Storage Temp | -40 ~ 125 °C |
| Water proof : IP67 (Up to IP69K) Lens must be glued | |
| <ul style="list-style-type: none">▪ Metal Housing▪ Water-proof M12 lens▪ Sealed Gasket (White)▪ Sealed O-ring (Red) |  |
| Cable Connector | |
| <ul style="list-style-type: none">▪ Housing Connector- FAKRA Z Type▪ Cable length: 3 meters Support single Coax Cable transmit up to 15 meters▪ Cable Part#: FAK-SMZSMZ-0008 FAKRA type connectors |  |




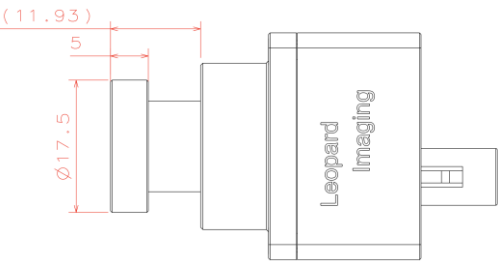
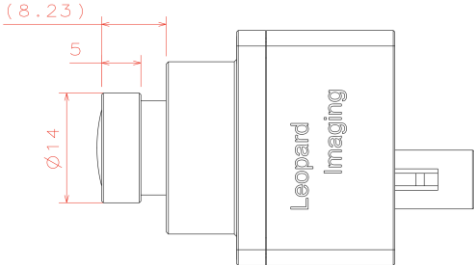
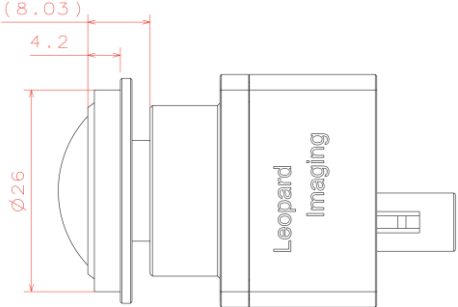


Lens Information

Part#: LI-JEVA-OV2311-FPDLINKIII-xxxH

Note:

xxxH - 050H: FOV H 50°
 100H: FOV H 100°
 200H: FOV H 200°

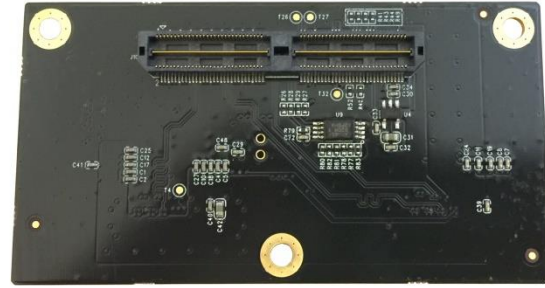
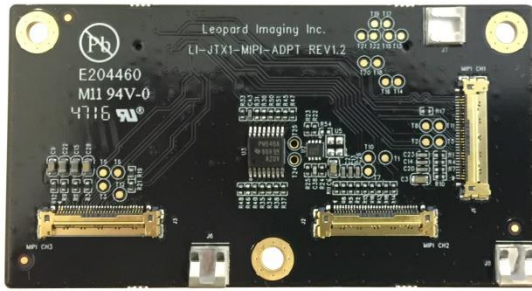
| LI-OV2311-FPDLINKIII-050H | LI-OV2311-FPDLINKIII-100H | LI-OV2311-FPDLINKIII-200H |
|--|--|---|
|  |  |  |
| <p>Lens: M127B0618W Lens EFL: 6.0 mm FOV(D): 67° FOV(H): 51° FOV(V): 41°</p> | <p>Lens: M128B02820WM12R1 Lens EFL: 2.8 mm FOV(D): 130° FOV(H): 101° FOV(V): 82°</p> | <p>Lens: F132B0108WM12 Lens EFL: 1.08 mm FOV(D): 200° FOV(H): 200° FOV(V): 200°</p> |
|  |  |  |



Leopard Imaging Inc.

1130 Cadillac Ct., Milpitas, CA 95035, USA
 Phone: +1-408-263-0988
 Fax: +1-408-217-1960
 Email: sales@leopardimaging.com
 Website: www.leopardimaging.com

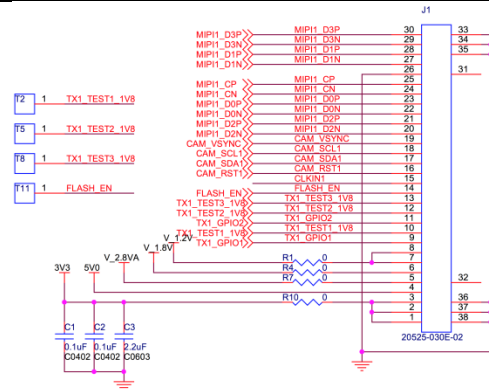
LI-JTX1-MIPI-ADPT



Interfaces

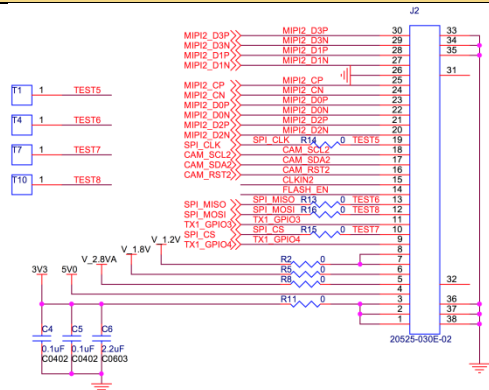
Interface J1

- Part#: 20525-030E-02C
- Number of Positions: 30
- Pitch: 0.4mm
- Mating I-PEX cable: FAW-1233-03 (300mm)



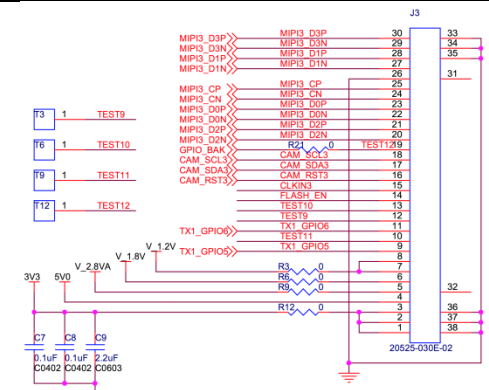
Interface J2

- Part#: 20525-030E-02C
- Number of Positions: 30
- Pitch: 0.4mm
- Mating I-PEX cable: FAW-1233-03 (300mm)



Interface J3

- Part#: 20525-030E-02C
- Number of Positions: 30
- Pitch: 0.4mm
- Mating I-PEX cable: FAW-1233-03 (300mm)



Leopard Imaging Inc.

1130 Cadillac Ct., Milpitas, CA 95035, USA
 Phone: +1-408-263-0988
 Fax: +1-408-217-1960
 Email: sales@leopardimaging.com
 Website: www.leopardimaging.com

Interface J10

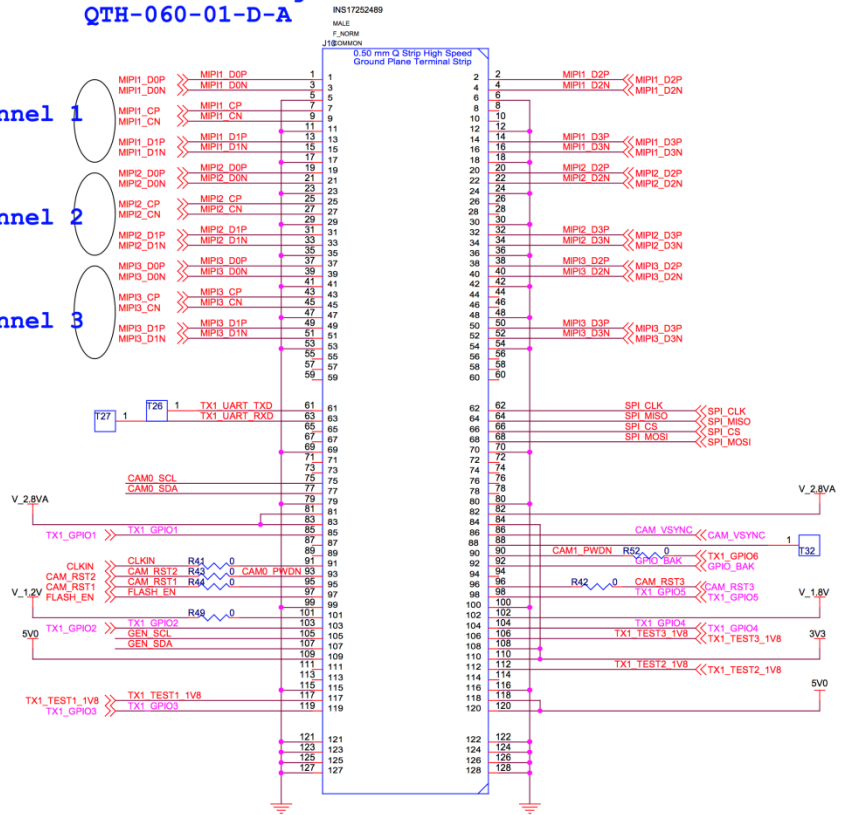
- Part#: QTH-060-01-L-D-A
- Number of Positions: 120
- Number of Rows: 2
- Pitch: 0.5 mm

Vertical Mating connector of Jetson TX1 J22 QTH-060-01-D-A

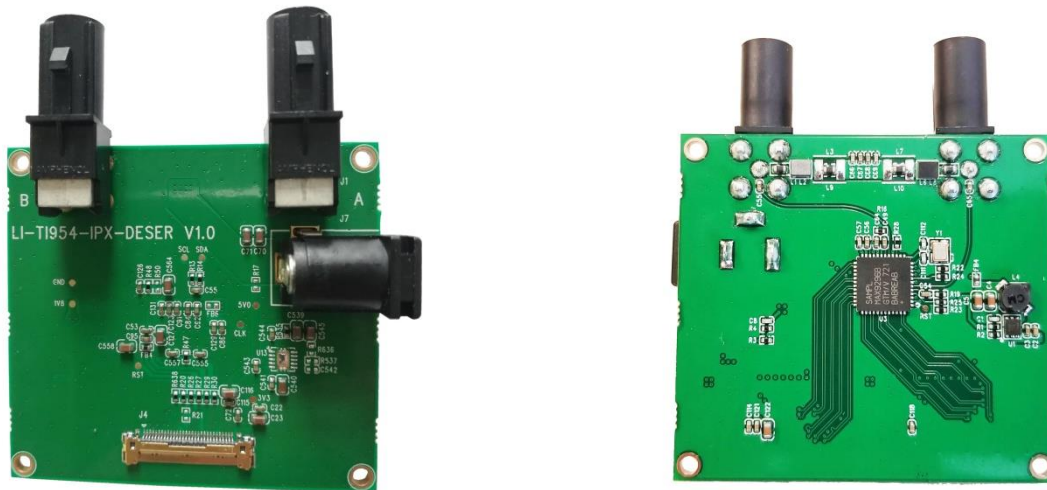
MIPI Channel 1

MIPI Channel 2

MIPI Channel 3



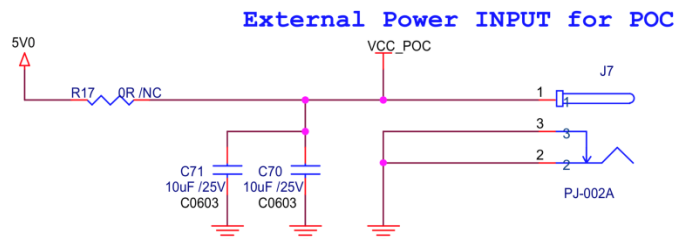
LI-TI954-IPX-DESER



Interfaces

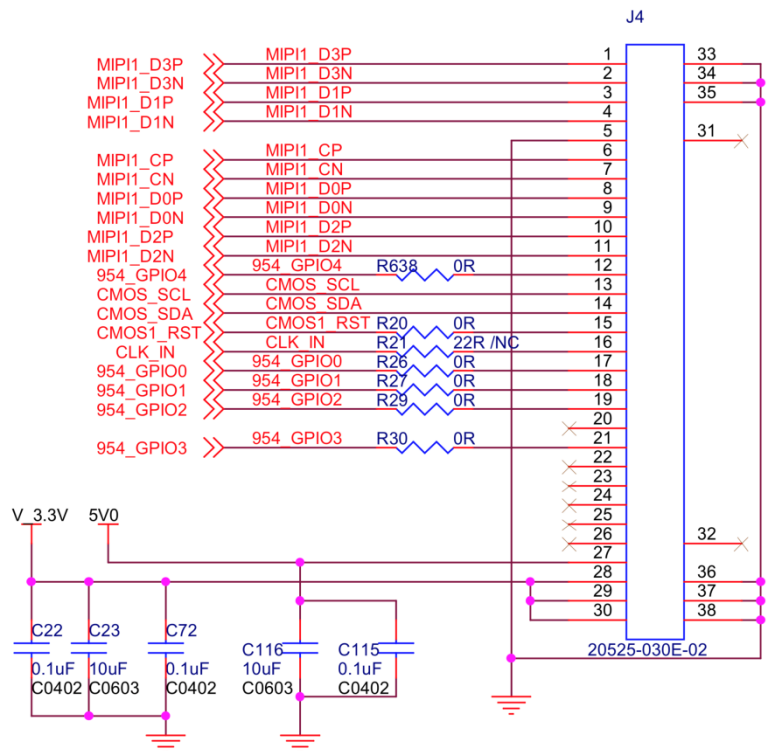
Interface J7

- Part#: PJ-002A
- Power Supply: 12V DC



Interface J4

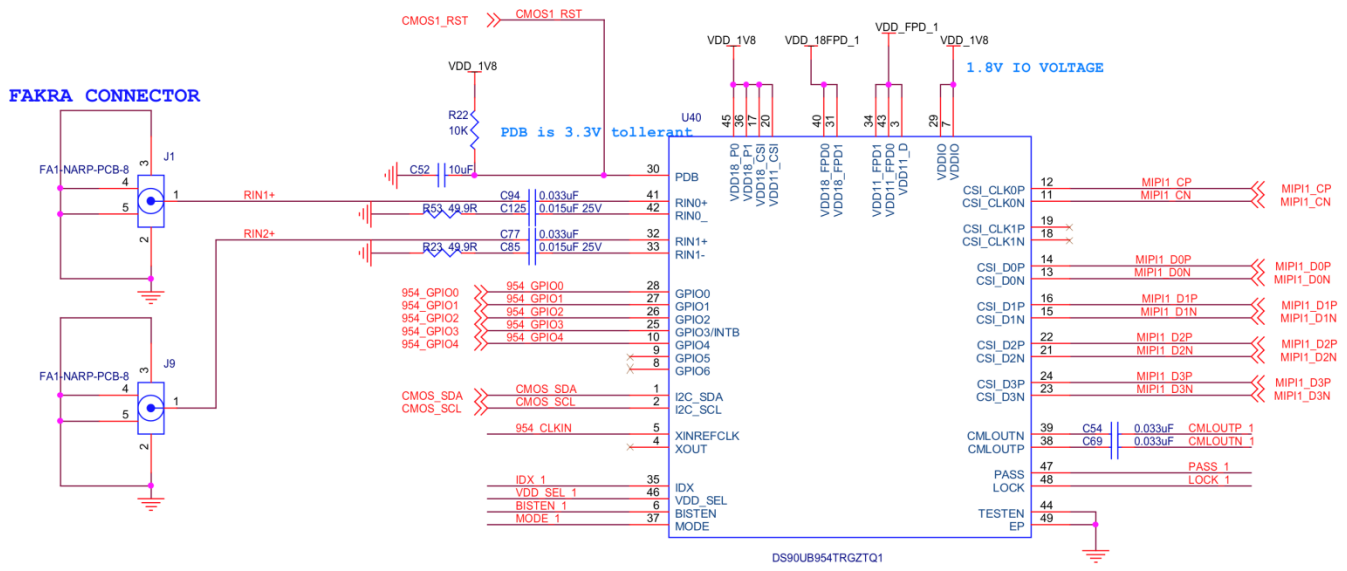
- Part#: 20525-030E-02C
- Number of Positions: 30
- Pitch: 0.4mm
- Mating I-PEX cable: FAW-1233-03 (300mm)



Leopard Imaging Inc.

1130 Cadillac Ct., Milpitas, CA 95035, USA
 Phone: +1-408-263-0988
 Fax: +1-408-217-1960
 Email: sales@leopardimaging.com
 Website: www.leopardimaging.com

De-Serializer



Leopard Imaging Inc.

1130 Cadillac Ct., Milpitas, CA 95035, USA
 Phone: +1-408-263-0988
 Fax: +1-408-217-1960
 Email: sales@leopardimaging.com
 Website: www.leopardimaging.com

Revision History

| Revision | Description | Release Date |
|----------|---------------|--------------|
| 1.0 | First Release | 6. Jul. 2018 |



Leopard Imaging Inc.

1130 Cadillac Ct., Milpitas, CA 95035, USA
Phone: +1-408-263-0988
Fax: +1-408-217-1960
Email: sales@leopardimaging.com
Website: www.leopardimaging.com