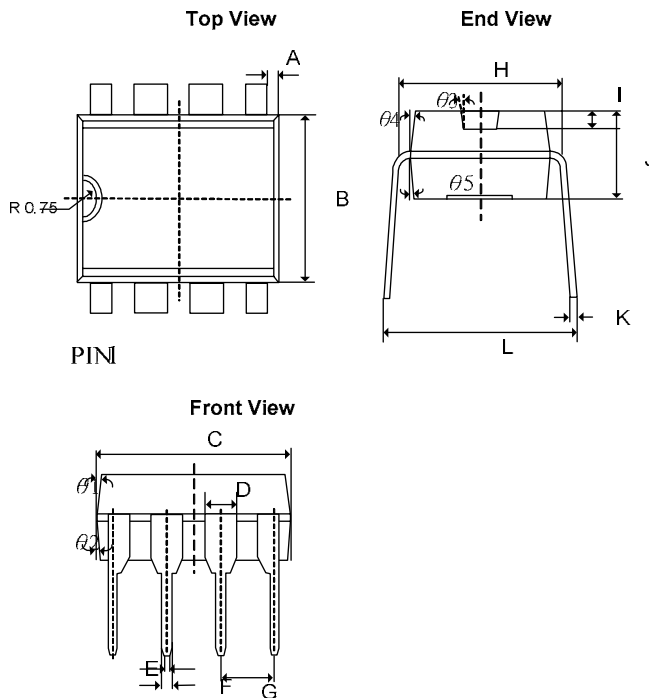


PDIP-8


| SYMBOLS | MILLIMETERS | | INCHES | |
|-----------|-------------|-------|-----------|-------|
| | MIN | MAX | MIN | MAX |
| A | 0.13 | - | 0.005 | - |
| B | 6.10 | 7.10 | 0.240 | 0.280 |
| C | 9.00 | 9.40 | 0.354 | 0.370 |
| D | 1.15 | 1.77 | 0.045 | 0.070 |
| E | 0.254 REF | | 0.01 REF | |
| F | 0.457 REF | | 0.018 REF | |
| G | 2.54 REF | | 0.1 REF | |
| H | 7.32 | 7.92 | 0.288 | 0.312 |
| I | 0.7 REF | | 0.027 REF | |
| J | 3.00 | 3.60 | 0.118 | 0.142 |
| K | 0.21 | 0.35 | 0.008 | 0.014 |
| L | - | 10.00 | - | 0.394 |
| θ1 | 6° | | 6° | |
| θ2 | 4° | | 4° | |
| θ3 | 5° | | 5° | |
| θ4 | 6° | | 6° | |
| θ5 | 4° | | 4° | |