

**PLEASE CHECK WWW.MOLEX.COM FOR LATEST PART INFORMATION**

**Part Number:** [0015800681](#)  
**Status:** **Active**  
**Overview:** [cgrid\\_sl\\_products](#)  
**Description:** 2.54mm (.100") Pitch C-Grid® Header, Through Hole without Peg, Dual Row, Vertical, Shrouded, High Temperature, 68 Circuits, Tin (Sn) Plating

**Documents:**

|   |  |
|---|--|
| <a href="#">3D Model</a>                      | <a href="#">Product Specification PS-70567 (PDF)</a> |
| <a href="#">Packaging Specification (PDF)</a> | <a href="#">RoHS Certificate of Compliance (PDF)</a> |
| <a href="#">Drawing (PDF)</a>                 |  |

**Agency Certification**

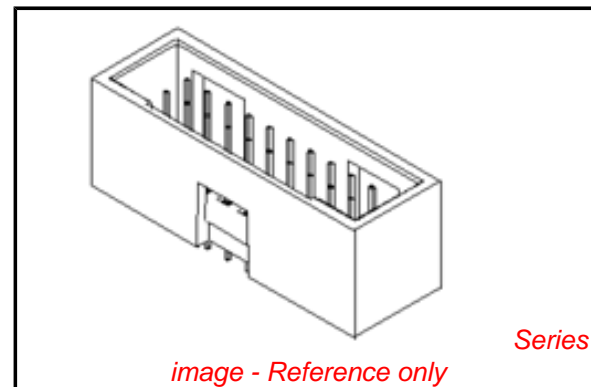
|     |         |
|-----|---------|
| CSA | LR19980 |
| UL  | E29179  |

**General**

|                |                                   |
|----------------|-----------------------------------|
| Product Family | PCB Headers                       |
| Series         | <a href="#">70567</a>             |
| Application    | Wire-to-Board                     |
| Overview       | <a href="#">cgrid_sl_products</a> |
| Product Name   | C-Grid®                           |

**Physical**

|                                |                                |
|--------------------------------|--------------------------------|
| Breakaway                      | No                             |
| Circuits (Loaded)              | 68                             |
| Circuits Detail                | 68                             |
| Color - Resin                  | Black                          |
| First Mate / Last Break        | No                             |
| Flammability                   | 94V-0                          |
| Glow-Wire Compliant            | No                             |
| Guide to Mating Part           | No                             |
| Keying to Mating Part          | None                           |
| Lock to Mating Part            | Yes                            |
| Material - Metal               | Brass, Phosphor Bronze         |
| Material - Plating Mating      | Tin                            |
| Material - Plating Termination | Tin                            |
| Material - Resin               | High Temperature Thermoplastic |
| Number of Rows                 | 2                              |
| Orientation                    | Vertical                       |
| PC Tail Length (in)            | 0.130 In                       |
| PC Tail Length (mm)            | 3.30 mm                        |
| PCB Locator                    | No                             |
| PCB Retention                  | Yes                            |
| PCB Thickness Recommended (in) | 0.093 In                       |
| PCB Thickness Recommended (mm) | 2.40 mm                        |
| Packaging Type                 | Tube                           |
| Pitch - Mating Interface (in)  | 0.100 In                       |
| Pitch - Mating Interface (mm)  | 2.54 mm                        |
| Pitch - Term. Interface (in)   | 0.100 In                       |
| Pitch - Term. Interface (mm)   | 2.54 mm                        |
| Plating min: Mating (µin)      | 100                            |
| Plating min: Mating (µm)       | 2.50                           |
| Plating min: Termination (µin) | 50                             |
| Plating min: Termination (µm)  | 1.30                           |
| Polarized to Mating Part       | Yes                            |
| Polarized to PCB               | No                             |



*image - Reference only*

**EU RoHS**

**ELV and RoHS  
Compliant**  
**REACH SVHC  
Contains SVHC: No**  
**Halogen-Free  
Status  
Not Reviewed**

**China RoHS**



**Need more information on product environmental compliance?**

Email [productcompliance@molex.com](mailto:productcompliance@molex.com)  
 For a multiple part number RoHS Certificate of Compliance, [click here](#)

Please visit the [Contact Us](#) section for any non-product compliance questions.

**Search Parts in this Series**

[70567Series](#)

**Mates With**

[70450 Crimp Housing](#)

|                                |                 |
|--------------------------------|-----------------|
| Shrouded                       | Fully           |
| Stackable                      | No              |
| Surface Mount Compatible (SMC) | No              |
| Temperature Range - Operating  | -55°C to +105°C |
| Termination Interface: Style   | Through Hole    |

**Electrical**

|                               |      |
|-------------------------------|------|
| Current - Maximum per Contact | 2.5A |
| Voltage - Maximum             | 250V |

**Solder Process Data**

|  |                              |
|--|------------------------------|
| Duration at Max. Process Temperature (seconds) | 5                            |
| Lead-free Process Capability                   | SMC & Wave Capable (TH only) |
| Max. Cycles at Max. Process Temperature        | 1                            |
| Process Temperature max. C                     | 245                          |

**Material Info**

|                 |              |
|-----------------|--------------|
| Old Part Number | A-70567-0032 |
|-----------------|--------------|

**Reference - Drawing Numbers**

|                         |                |
|-------------------------|----------------|
| Packaging Specification | PK-70873-0018  |
| Product Specification   | PS-70567       |
| Sales Drawing           | SDA-70567-**** |

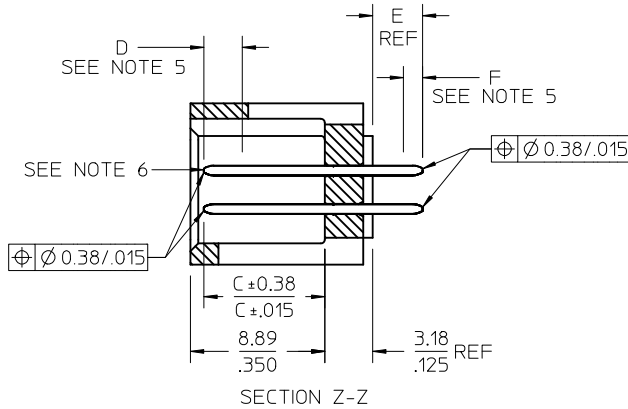
This document was generated on 05/26/2010

**PLEASE CHECK [WWW.MOLEX.COM](http://WWW.MOLEX.COM) FOR LATEST PART INFORMATION**

# OPTION A

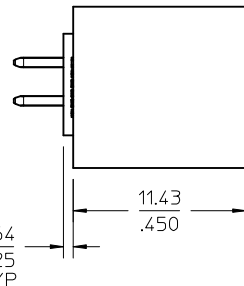


PCB LAYOUT: COMPONENT SIDE  
TYPICAL PCB THICKNESS: 2.36/.093



### NOTES:

- MATERIAL: SHROUDED WAFER: GLASS FILLED, LIQUID CRYSTAL POLYMER, COLOR: BLACK, 94V-0. PINS: COPPER ALLOY.
- PLATING:
  - TIN 0.00381/.000150 MINIMUM TIN, OVER NICKEL UNDERPLATE OVERALL
  - 15 GOLD 0.00038/.000015 MINIMUM GOLD PLATE IN SELECTED AREA
  - 0.00191/.000075 MINIMUM TIN IN SELECTED AREA OVER NICKEL UNDERPLATE OVERALL
  - 30 GOLD 0.00076/.000030 MINIMUM GOLD PLATE IN SELECTED AREA
  - 0.00191/.000075 MINIMUM TIN IN SELECTED AREA, OVER NICKEL UNDERPLATE OVERALL
- PRODUCT SPECIFICATION: PS-70567.
- PACKAGING: SEE CHARTS
- MEASURE POINT FOR PLATING THICKNESS.
- PIN PUSHOUT FORCE: 4 LBS. MINIMUM IN DIRECTION INDICATED.
- FOR ILLUSTRATION PURPOSES, 20 (DUAL 10) CIRCUIT SIZE HEADER SHOWN.
- PIN SOLDERABILITY PER MOLEX SPEC. SMES-152.
- WINDOW NOT AVAILABLE ON 6 OR 8 CIRCUIT SIZE.
- THIS PART CONFORMS TO CLASS B REQUIREMENTS OF COSMETIC SPECIFICATION PS-45499-002.



| CKT | DIM A          | DIM B          | DIM L        | DIM M        | DIM N          |
|-----|----------------|----------------|--------------|--------------|----------------|
| 06  | 8.43<br>.332   | 5.08<br>.200   | 1.68<br>.066 | 1.68<br>.066 |                |
| 08  | 10.97<br>.432  | 7.62<br>.300   | 1.68<br>.066 | 1.68<br>.066 |                |
| 10  | 13.51<br>.532  | 10.16<br>.400  | 1.68<br>.066 | 4.22<br>.166 |                |
| 12  | 16.05<br>.632  | 12.70<br>.500  | 1.68<br>.066 | 4.22<br>.166 |                |
| 14  | 18.59<br>.732  | 15.24<br>.600  | 1.68<br>.066 | 6.76<br>.266 |                |
| 16  | 21.13<br>.832  | 17.78<br>.700  | 1.68<br>.066 | 6.76<br>.266 |                |
| 18  | 23.67<br>.932  | 20.32<br>.800  | 1.68<br>.066 | 9.30<br>.366 |                |
| 20  | 26.21<br>1.032 | 22.86<br>.900  | 1.68<br>.066 | 1.68<br>.066 | 19.46<br>.766  |
| 22  | 28.75<br>1.132 | 25.40<br>1.000 | 1.68<br>.066 | 1.68<br>.066 | 22.00<br>.866  |
| 24  | 31.29<br>1.232 | 27.94<br>1.100 | 1.68<br>.066 | 1.68<br>.066 | 24.54<br>.966  |
| 26  | 33.83<br>1.332 | 30.48<br>1.200 | 1.68<br>.066 | 1.68<br>.066 | 27.08<br>1.066 |
| 28  | 36.37<br>1.432 | 33.02<br>1.300 | 1.68<br>.066 | 1.68<br>.066 | 29.62<br>1.166 |
| 30  | 38.91<br>1.532 | 35.56<br>1.400 | 1.68<br>.066 | 1.68<br>.066 | 32.16<br>1.266 |
| 32  | 41.45<br>1.632 | 38.10<br>1.500 | 1.68<br>.066 | 1.68<br>.066 | 34.70<br>1.366 |
| 34  | 43.99<br>1.732 | 40.64<br>1.600 | 1.68<br>.066 | 1.68<br>.066 | 37.24<br>1.466 |
| 36  | 46.53<br>1.832 | 43.18<br>1.700 | 1.68<br>.066 | 1.68<br>.066 | 39.78<br>1.566 |
| 38  | 49.07<br>1.932 | 45.72<br>1.800 | 1.68<br>.066 | 1.68<br>.066 | 42.32<br>1.666 |
| 40  | 51.61<br>2.032 | 48.26<br>1.900 | 1.68<br>.066 | 1.68<br>.066 | 44.86<br>1.766 |
| 42  | 54.15<br>2.132 | 50.80<br>2.000 | 1.68<br>.066 | 1.68<br>.066 | 47.40<br>1.866 |
| 44  | 56.69<br>2.232 | 53.34<br>2.100 | 1.68<br>.066 | 1.68<br>.066 | 49.94<br>1.966 |
| 46  | 59.23<br>2.332 | 55.88<br>2.200 | 1.68<br>.066 | 1.68<br>.066 | 52.48<br>2.066 |
| 48  | 61.77<br>2.432 | 58.42<br>2.300 | 1.68<br>.066 | 1.68<br>.066 | 55.02<br>2.166 |
| 50  | 64.31<br>2.532 | 60.96<br>2.400 | 1.68<br>.066 | 1.68<br>.066 | 57.56<br>2.266 |
| 52  | 66.85<br>2.632 | 63.50<br>2.500 | 1.68<br>.066 | 1.68<br>.066 | 60.10<br>2.366 |
| 54  | 69.39<br>2.732 | 66.04<br>2.600 | 1.68<br>.066 | 1.68<br>.066 | 62.64<br>2.466 |
| 56  | 71.93<br>2.832 | 68.58<br>2.700 | 1.68<br>.066 | 1.68<br>.066 | 65.18<br>2.566 |
| 58  | 74.47<br>2.932 | 71.12<br>2.800 | 1.68<br>.066 | 1.68<br>.066 | 67.72<br>2.666 |
| 60  | 77.01<br>3.032 | 73.66<br>2.900 | 1.68<br>.066 | 1.68<br>.066 | 70.26<br>2.766 |
| 62  | 79.55<br>3.132 | 76.20<br>3.000 | 1.68<br>.066 | 1.68<br>.066 | 72.80<br>2.866 |
| 64  | 82.09<br>3.232 | 78.74<br>3.100 | 1.68<br>.066 | 1.68<br>.066 | 75.34<br>2.966 |
| 66  | 84.63<br>3.332 | 81.28<br>3.200 | 1.68<br>.066 | 1.68<br>.066 | 77.88<br>3.066 |
| 68  | 87.17<br>3.432 | 83.82<br>3.300 | 1.68<br>.066 | 1.68<br>.066 | 80.42<br>3.166 |
| 70  | 89.71<br>3.532 | 86.36<br>3.400 | 1.68<br>.066 | 1.68<br>.066 | 82.96<br>3.266 |
| 72  | 92.25<br>3.632 | 88.90<br>3.500 | 1.68<br>.066 | 1.68<br>.066 | 85.50<br>3.366 |

|                     |            |               |            |              |            |              |
|---------------------|------------|---------------|------------|--------------|------------|--------------|
| MODIFY HOUSING WALL | 2010/01/12 | DRWINAS BARRA | 2010/01/12 | CHYKD-BARKER | 2010/03/31 | APPR:SMILLER |
| DESCRIPTION         | REV        | DATE          | DATE       | DATE         | DATE       | DATE         |

|                 |  |
|-----------------|--|
| QUALITY SYMBOLS | GENERAL TOLERANCES (UNLESS SPECIFIED)                |
| ▽=0             | mm INCH  |
| ▽=0             | 4 PLACES ± --- ± ---                                 |
| ▽=0             | 3 PLACES ± --- ± .005                                |
| ▽=0             | 2 PLACES ± 0.13 ± .010                               |
| ▽=0             | 1 PLACE ± 0.25 ± ---                                 |
|                 | ANGULAR ±1/2°  |
|                 | DRAFT WHERE APPLICABLE MUST REMAIN WITHIN DIMENSIONS |

|   |            |                          |              |                        |
|---|------------|--------------------------|--------------|------------------------|
| DIMENSION STYLE   |            | SCALE                    | DESIGN UNITS | THIRD ANGLE PROJECTION |
| MM/IN   |            | 4:1                      | INCH         |                        |
| DRAWN BY  | DATE       | TITLE                    |              |                        |
| EIK   | 1988/03/10 | 4 SIDES SHROUDED HEADER  |              |                        |
| CHECKED BY  | DATE       | HIGH TEMP, (2.54)/.100   |              |                        |
| EIK   | 1988/03/10 | GRID W/ (.64)/.025 PINS  |              |                        |
| APPROVED BY   | DATE       | MOLEX MOLEX INCORPORATED |              |                        |
| SMILLER   | 2010/03/31 | MATERIAL NO. SEE TABLE   |              |                        |
| DOCUMENT NO.  |            | SHEET NO.                |              |                        |
| SDA-70567-****  |            | 1 OF 5                   |              |                        |
| THIS DRAWING CONTAINS INFORMATION THAT IS PROPRIETARY TO MOLEX INCORPORATED AND SHOULD NOT BE USED WITHOUT WRITTEN PERMISSION |            |                          |              |                        |

# OPTION B



PCB LAYOUT: COMPONENT SIDE  
TYPICAL PCB THICKNESS: 2.361.093



### NOTES:

- MATERIAL: SHROUDED WAFER: 30% G.F. LCP, COLOR: BLACK, 94V-0. PINS: COPPER ALLOY.
- PLATING:  
 TIN - (0.00381)/.000150 MINIMUM TIN OVER NICKEL UNDERPLATE OVERALL  
 15 GOLD - (0.000381)/.000015 MINIMUM GOLD PLATE IN SELECTED AREA  
 (0.00191)/.000075 MINIMUM TIN IN SELECTED AREA, OVER NICKEL UNDERPLATE OVERALL  
 30 GOLD - (0.000761)/.000030 MINIMUM GOLD PLATE IN SELECTED AREA  
 (0.00191)/.000075 MINIMUM TIN IN SELECTED AREA, OVER NICKEL UNDERPLATE OVERALL
- PRODUCT SPECIFICATION: PS-70567.
- PACKAGING: SEE CHARTS
- PIN PUSHOUT FORCE: 4 LBS. MIN IN DIRECTION INDICATED.
- FOR ILLUSTRATION PURPOSES, 20 (DUAL 10) CIRCUIT SIZE HEADER SHOWN.
- PIN SOLDERABILITY PER MOLEX SPEC. SMES-152.
- MEASURE POINT FOR PLATING THICKNESS.
- WINDOW IS NOT AVAILABLE ON 6 CIRCUIT.
- THIS PART CONFORMS TO CLASS B REQUIREMENTS OF COSMETIC SPECIFICATION PS-45499-002.
- SEE SHEET 1 FOR ALL OTHER DIMENSIONS



| CKT | DIM A |       | DIM B |       | DIM L |      | DIM M |      | DIM N |       |
|-----|-------|-------|-------|-------|-------|------|-------|------|-------|-------|
|     | mm    | inch  | mm    | inch  | mm    | inch | mm    | inch | mm    | inch  |
| 06  | 12.70 | .500  | 5.08  | .200  | 3.81  | .150 | 3.81  | .150 |       |       |
| 08  | 15.24 | .600  | 7.62  | .300  | 3.81  | .150 | 3.81  | .150 |       |       |
| 10  | 17.78 | .700  | 10.16 | .400  | 3.81  | .150 | 6.35  | .250 |       |       |
| 12  | 20.32 | .800  | 12.70 | .500  | 3.81  | .150 | 6.35  | .250 |       |       |
| 14  | 22.86 | .900  | 15.24 | .600  | 3.81  | .150 | 8.89  | .350 |       |       |
| 16  | 25.40 | 1.000 | 17.78 | .700  | 3.81  | .150 | 8.89  | .350 |       |       |
| 18  | 27.94 | 1.100 | 20.32 | .800  | 3.81  | .150 | 11.43 | .450 |       |       |
| 20  | 30.48 | 1.200 | 22.86 | .900  | 3.81  | .150 | 3.81  | .150 | 21.59 | .850  |
| 22  | 33.02 | 1.300 | 25.40 | 1.000 | 3.81  | .150 | 3.81  | .150 | 24.13 | .950  |
| 24  | 35.56 | 1.400 | 27.94 | 1.100 | 3.81  | .150 | 3.81  | .150 | 26.67 | 1.050 |
| 26  | 38.10 | 1.500 | 30.48 | 1.200 | 3.81  | .150 | 3.81  | .150 | 29.21 | 1.150 |
| 28  | 40.64 | 1.600 | 33.02 | 1.300 | 3.81  | .150 | 3.81  | .150 | 31.75 | 1.250 |
| 30  | 43.18 | 1.700 | 35.56 | 1.400 | 3.81  | .150 | 3.81  | .150 | 34.29 | 1.350 |
| 32  | 45.72 | 1.800 | 38.10 | 1.500 | 3.81  | .150 | 3.81  | .150 | 36.83 | 1.450 |
| 34  | 48.26 | 1.900 | 40.64 | 1.600 | 3.81  | .150 | 3.81  | .150 | 39.37 | 1.550 |
| 36  | 50.80 | 2.000 | 43.18 | 1.700 | 3.81  | .150 | 3.81  | .150 | 41.91 | 1.650 |
| 38  | 53.34 | 2.100 | 45.72 | 1.800 | 3.81  | .150 | 3.81  | .150 | 44.45 | 1.750 |
| 40  | 55.88 | 2.200 | 48.26 | 1.900 | 3.81  | .150 | 3.81  | .150 | 46.99 | 1.850 |
| 42  | 58.42 | 2.300 | 50.80 | 2.000 | 3.81  | .150 | 3.81  | .150 | 49.53 | 1.950 |
| 44  | 60.96 | 2.400 | 53.34 | 2.100 | 3.81  | .150 | 3.81  | .150 | 52.07 | 2.050 |
| 46  | 63.50 | 2.500 | 55.88 | 2.200 | 3.81  | .150 | 3.81  | .150 | 54.61 | 2.150 |
| 48  | 66.04 | 2.600 | 58.42 | 2.300 | 3.81  | .150 | 3.81  | .150 | 57.15 | 2.250 |
| 50  | 68.58 | 2.700 | 60.96 | 2.400 | 3.81  | .150 | 3.81  | .150 | 59.69 | 2.350 |
| 52  | 71.12 | 2.800 | 63.50 | 2.500 | 3.81  | .150 | 3.81  | .150 | 62.23 | 2.450 |
| 54  | 73.66 | 2.900 | 66.04 | 2.600 | 3.81  | .150 | 3.81  | .150 | 64.77 | 2.550 |
| 56  | 76.20 | 3.000 | 68.58 | 2.700 | 3.81  | .150 | 3.81  | .150 | 67.31 | 2.650 |
| 58  | 78.74 | 3.100 | 71.12 | 2.800 | 3.81  | .150 | 3.81  | .150 | 69.85 | 2.750 |
| 60  | 81.28 | 3.200 | 73.66 | 2.900 | 3.81  | .150 | 3.81  | .150 | 72.39 | 2.850 |
| 62  | 83.82 | 3.300 | 76.20 | 3.000 | 3.81  | .150 | 3.81  | .150 | 74.93 | 2.950 |
| 64  | 86.36 | 3.400 | 78.74 | 3.100 | 3.81  | .150 | 3.81  | .150 | 77.47 | 3.050 |
| 66  | 88.90 | 3.500 | 81.28 | 3.200 | 3.81  | .150 | 3.81  | .150 | 80.01 | 3.150 |
| 68  | 91.44 | 3.600 | 83.82 | 3.300 | 3.81  | .150 | 3.81  | .150 | 82.55 | 3.250 |
| 70  | 93.98 | 3.700 | 86.36 | 3.400 | 3.81  | .150 | 3.81  | .150 | 85.09 | 3.350 |
| 72  | 96.52 | 3.800 | 88.90 | 3.500 | 3.81  | .150 | 3.81  | .150 | 87.63 | 3.450 |

|  |                                      |   |  |  |  |                                |                      |                        |  |
|--|--------------------------------------|---|--|--|--|--------------------------------|----------------------|------------------------|--|
| MODIFY HOUSING WALL<br>EC NO: UCP2010-1587<br>DRWN:MS BARRA 2010/01/12<br>CHKD:BBARKER 2010/01/12<br>APPR:SMILLER 2010/03/31 | QUALITY SYMBOLS<br>▽=0<br>▽=0<br>▽=0 | GENERAL TOLERANCES (UNLESS SPECIFIED)<br>mm INCH<br>4 PLACES ± --- ± ---<br>3 PLACES ± --- ± .005<br>2 PLACES ± 0.13 ± .010<br>1 PLACE ± 0.25 ± ---<br>ANGULAR ± 1/2° |  | DIMENSION STYLE<br>MM/IN<br>DRAWN BY DATE<br>EIK 1988/03/10<br>CHECKED BY DATE<br>EIK 1988/03/10<br>APPROVED BY DATE<br>SMILLER 2010/03/31 |  | SCALE<br>4:1                   | DESIGN UNITS<br>INCH | THIRD ANGLE PROJECTION |  |
|  |                                      | DRAFT WHERE APPLICABLE MUST REMAIN WITHIN DIMENSIONS  |  | MATERIAL NO.<br>SEE TABLE  |  | DOCUMENT NO.<br>SDA-70567-**** |                      | SHEET NO.<br>2 OF 5    |  |
|  |                                      | THIS DRAWING CONTAINS INFORMATION THAT IS PROPRIETARY TO MOLEX INCORPORATED AND SHOULD NOT BE USED WITHOUT WRITTEN PERMISSION   |  |  |  |                                |                      |                        |  |
|  |                                      | MOLEX MOLEX INCORPORATED  |  |  |  |                                |                      |                        |  |

|                               |                            | 20             | 19                     | 18   | 17                     | 16                    | 15             | 14                     | 13             | 12                                 | 11 | 10 | 9 | 8 | 7 | 6 | 5 | 4 | 3 | 2 | 1 |
|-------------------------------|----------------------------|----------------|------------------------|------|------------------------|-----------------------|----------------|------------------------|----------------|------------------------------------|----|----|---|---|---|---|---|---|---|---|---|
| ENGINEERING NUMBER<br>A-70567 | MANUFACTURE RELEASE STATUS | E              |                        | C    |                        | CONNECTOR END PLATING |                | P.C. BOARD END PLATING |                | PACKAGING INFORMATION<br>PK-70873- |    |    |   |   |   |   |   |   |   |   |   |
|                               |                            | REF.           | $\pm_{0.15}$<br>(0.38) | REF. | $\pm_{0.15}$<br>(0.38) | TYPE                  | D<br>MEAS.     | TYPE                   | F<br>MEAS.     |                                    |    |    |   |   |   |   |   |   |   |   |   |
| -0001/-0034                   | R.F.M.                     | .130<br>(3.30) | .315<br>(8.00)         |      |                        | TIN                   | .100<br>(2.54) | TIN                    | .050<br>(1.27) | 0018                               |    |    |   |   |   |   |   |   |   |   |   |
| -0035/-0068                   | R.F.M.                     | .200<br>(5.08) | .315<br>(8.00)         |      |                        | TIN                   | .100<br>(2.54) | TIN                    | .050<br>(1.27) | 0018                               |    |    |   |   |   |   |   |   |   |   |   |
| -0069/-0102                   | R.F.M.                     | .190<br>(3.30) | .315<br>(8.00)         |      |                        | 15 GOLD               | .100<br>(2.54) | TIN                    | .050<br>(1.27) | 0018                               |    |    |   |   |   |   |   |   |   |   |   |
| -0103/-0136                   | R.F.M.                     | .200<br>(5.08) | .315<br>(8.00)         |      |                        | 15 GOLD               | .100<br>(2.54) | TIN                    | .050<br>(1.27) | 0018                               |    |    |   |   |   |   |   |   |   |   |   |
| -0137/-0170                   | R.F.M.                     | .130<br>(3.30) | .315<br>(8.00)         |      |                        | 30 GOLD               | .100<br>(2.54) | TIN                    | .050<br>(1.27) | 0018                               |    |    |   |   |   |   |   |   |   |   |   |
| -0171/-0204                   | R.F.M.                     | .200<br>(5.08) | .315<br>(8.00)         |      |                        | 30 GOLD               | .100<br>(2.54) | TIN                    | .050<br>(1.27) | 0018                               |    |    |   |   |   |   |   |   |   |   |   |

| NO. OF CKTS | OPTION "A" |              | OPTION "A" |              | OPTION "A" |              | OPTION "A" |              | OPTION "A" |              | OPTION "A" |              |            |            |            |            |            |            | NO. OF CKTS |
|-------------|------------|--------------|------------|--------------|------------|--------------|------------|--------------|------------|--------------|------------|--------------|------------|------------|------------|------------|------------|------------|-------------|
|             | EDP NUMBER | ENG NUMBER   | EDP NUMBER | ENG NUMBER   | EDP NUMBER | ENG NUMBER   | EDP NUMBER | ENG NUMBER   | EDP NUMBER | ENG NUMBER   | EDP NUMBER | ENG NUMBER   | EDP NUMBER | ENG NUMBER | EDP NUMBER | ENG NUMBER | EDP NUMBER | ENG NUMBER |             |
| 06          | 15-80-0061 | A-70567-0001 | 70567-0035 | A-70567-0035 | 15-80-0063 | A-70567-0069 | 70567-0103 | A-70567-0103 | 15-80-0065 | A-70567-0137 | 70567-0171 | A-70567-0171 |            |            |            |            |            |            | 06          |
| 08          | 15-80-0081 | A-70567-0002 | 70567-0036 | A-70567-0036 | 15-80-0083 | A-70567-0070 | 70567-0104 | A-70567-0104 | 15-80-0085 | A-70567-0138 | 70567-0172 | A-70567-0172 |            |            |            |            |            |            | 08          |
| 10          | 15-80-0101 | A-70567-0003 | 70567-0037 | A-70567-0037 | 15-80-0103 | A-70567-0071 | 70567-0105 | A-70567-0105 | 15-80-0105 | A-70567-0139 | 70567-0173 | A-70567-0173 |            |            |            |            |            |            | 10          |
| 12          | 15-80-0121 | A-70567-0004 | 70567-0038 | A-70567-0038 | 15-80-0123 | A-70567-0072 | 70567-0106 | A-70567-0106 | 15-80-0125 | A-70567-0140 | 70567-0174 | A-70567-0174 |            |            |            |            |            |            | 12          |
| 14          | 15-80-0141 | A-70567-0005 | 70567-0039 | A-70567-0039 | 15-80-0143 | A-70567-0073 | 70567-0107 | A-70567-0107 | 15-80-0145 | A-70567-0141 | 70567-0175 | A-70567-0175 |            |            |            |            |            |            | 14          |
| 16          | 15-80-0161 | A-70567-0006 | 70567-0040 | A-70567-0040 | 15-80-0163 | A-70567-0074 | 70567-0108 | A-70567-0108 | 15-80-0165 | A-70567-0142 | 70567-0176 | A-70567-0176 |            |            |            |            |            |            | 16          |
| 18          | 15-80-0181 | A-70567-0007 | 70567-0041 | A-70567-0041 | 15-80-0183 | A-70567-0075 | 70567-0109 | A-70567-0109 | 15-80-0185 | A-70567-0143 | 70567-0177 | A-70567-0177 |            |            |            |            |            |            | 18          |
| 20          | 15-80-0201 | A-70567-0008 | 70567-0042 | A-70567-0042 | 15-80-0203 | A-70567-0076 | 70567-0110 | A-70567-0110 | 15-80-0205 | A-70567-0144 | 70567-0178 | A-70567-0178 |            |            |            |            |            |            | 20          |
| 22          | 15-80-0221 | A-70567-0009 | 70567-0043 | A-70567-0043 | 15-80-0223 | A-70567-0077 | 70567-0111 | A-70567-0111 | 15-80-0225 | A-70567-0145 | 70567-0179 | A-70567-0179 |            |            |            |            |            |            | 22          |
| 24          | 15-80-0241 | A-70567-0010 | 70567-0044 | A-70567-0044 | 15-80-0243 | A-70567-0078 | 70567-0112 | A-70567-0112 | 15-80-0245 | A-70567-0146 | 70567-0180 | A-70567-0180 |            |            |            |            |            |            | 24          |
| 26          | 15-80-0261 | A-70567-0011 | 70567-0045 | A-70567-0045 | 15-80-0263 | A-70567-0079 | 70567-0113 | A-70567-0113 | 15-80-0265 | A-70567-0147 | 70567-0181 | A-70567-0181 |            |            |            |            |            |            | 26          |
| 28          | 15-80-0281 | A-70567-0012 | 70567-0046 | A-70567-0046 | 15-80-0283 | A-70567-0080 | 70567-0114 | A-70567-0114 | 15-80-0285 | A-70567-0148 | 70567-0182 | A-70567-0182 |            |            |            |            |            |            | 28          |
| 30          | 15-80-0301 | A-70567-0013 | 70567-0047 | A-70567-0047 | 15-80-0303 | A-70567-0081 | 70567-0115 | A-70567-0115 | 15-80-0305 | A-70567-0149 | 70567-0183 | A-70567-0183 |            |            |            |            |            |            | 30          |
| 32          | 15-80-0321 | A-70567-0014 | 70567-0048 | A-70567-0048 | 15-80-0323 | A-70567-0082 | 70567-0116 | A-70567-0116 | 15-80-0325 | A-70567-0150 | 70567-0184 | A-70567-0184 |            |            |            |            |            |            | 32          |
| 34          | 15-80-0341 | A-70567-0015 | 70567-0049 | A-70567-0049 | 15-80-0343 | A-70567-0083 | 70567-0117 | A-70567-0117 | 15-80-0345 | A-70567-0151 | 70567-0185 | A-70567-0185 |            |            |            |            |            |            | 34          |
| 36          | 15-80-0361 | A-70567-0016 | 70567-0050 | A-70567-0050 | 15-80-0363 | A-70567-0084 | 70567-0118 | A-70567-0118 | 15-80-0365 | A-70567-0152 | 70567-0186 | A-70567-0186 |            |            |            |            |            |            | 36          |
| 38          | 15-80-0381 | A-70567-0017 | 70567-0051 | A-70567-0051 | 15-80-0383 | A-70567-0085 | 70567-0119 | A-70567-0119 | 15-80-0385 | A-70567-0153 | 70567-0187 | A-70567-0187 |            |            |            |            |            |            | 38          |
| 40          | 15-80-0401 | A-70567-0018 | 70567-0052 | A-70567-0052 | 15-80-0403 | A-70567-0086 | 70567-0120 | A-70567-0120 | 15-80-0405 | A-70567-0154 | 70567-0188 | A-70567-0188 |            |            |            |            |            |            | 40          |
| 42          | 15-80-0421 | A-70567-0019 | 70567-0053 | A-70567-0053 | 15-80-0423 | A-70567-0087 | 70567-0121 | A-70567-0121 | 15-80-0425 | A-70567-0155 | 70567-0189 | A-70567-0189 |            |            |            |            |            |            | 42          |
| 44          | 15-80-0441 | A-70567-0020 | 70567-0054 | A-70567-0054 | 15-80-0443 | A-70567-0088 | 70567-0122 | A-70567-0122 | 15-80-0445 | A-70567-0156 | 70567-0190 | A-70567-0190 |            |            |            |            |            |            | 44          |
| 46          | 15-80-0461 | A-70567-0021 | 70567-0055 | A-70567-0055 | 15-80-0463 | A-70567-0089 | 70567-0123 | A-70567-0123 | 15-80-0465 | A-70567-0157 | 70567-0191 | A-70567-0191 |            |            |            |            |            |            | 46          |
| 48          | 15-80-0481 | A-70567-0022 | 70567-0056 | A-70567-0056 | 15-80-0483 | A-70567-0090 | 70567-0124 | A-70567-0124 | 15-80-0485 | A-70567-0158 | 70567-0192 | A-70567-0192 |            |            |            |            |            |            | 48          |
| 50          | 15-80-0501 | A-70567-0023 | 70567-0057 | A-70567-0057 | 15-80-0503 | A-70567-0091 | 70567-0125 | A-70567-0125 | 15-80-0505 | A-70567-0159 | 70567-0193 | A-70567-0193 |            |            |            |            |            |            | 50          |
| 52          | 15-80-0521 | A-70567-0024 | 70567-0058 | A-70567-0058 | 15-80-0523 | A-70567-0092 | 70567-0126 | A-70567-0126 | 15-80-0525 | A-70567-0160 | 70567-0194 | A-70567-0194 |            |            |            |            |            |            | 52          |
| 54          | 15-80-0541 | A-70567-0025 | 70567-0059 | A-70567-0059 | 15-80-0543 | A-70567-0093 | 70567-0127 | A-70567-0127 | 15-80-0545 | A-70567-0161 | 70567-0195 | A-70567-0195 |            |            |            |            |            |            | 54          |
| 56          | 15-80-0561 | A-70567-0026 | 70567-0060 | A-70567-0060 | 15-80-0563 | A-70567-0094 | 70567-0128 | A-70567-0128 | 15-80-0565 | A-70567-0162 | 70567-0196 | A-70567-0196 |            |            |            |            |            |            | 56          |
| 58          | 15-80-0581 | A-70567-0027 | 70567-0061 | A-70567-0061 | 15-80-0583 | A-70567-0095 | 70567-0129 | A-70567-0129 | 15-80-0585 | A-70567-0163 | 70567-0197 | A-70567-0197 |            |            |            |            |            |            | 58          |
| 60          | 15-80-0601 | A-70567-0028 | 70567-0062 | A-70567-0062 | 15-80-0603 | A-70567-0096 | 70567-0130 | A-70567-0130 | 15-80-0605 | A-70567-0164 | 70567-0198 | A-70567-0198 |            |            |            |            |            |            | 60          |
| 62          | 15-80-0621 | A-70567-0029 | 70567-0063 | A-70567-0063 | 15-80-0623 | A-70567-0097 | 70567-0131 | A-70567-0131 | 15-80-0625 | A-70567-0165 | 70567-0199 | A-70567-0199 |            |            |            |            |            |            | 62          |
| 64          | 15-80-0641 | A-70567-0030 | 70567-0064 | A-70567-0064 | 15-80-0643 | A-70567-0098 | 70567-0132 | A-70567-0132 | 15-80-0645 | A-70567-0166 | 70567-0200 | A-70567-0200 |            |            |            |            |            |            | 64          |
| 66          | 15-80-0661 | A-70567-0031 | 70567-0065 | A-70567-0065 | 15-80-0663 | A-70567-0099 | 70567-0133 | A-70567-0133 | 15-80-0665 | A-70567-0167 | 70567-0201 | A-70567-0201 |            |            |            |            |            |            | 66          |
| 68          | 15-80-0681 | A-70567-0032 | 70567-0066 | A-70567-0066 | 15-80-0683 | A-70567-0100 | 70567-0134 | A-70567-0134 | 15-80-0685 | A-70567-0168 | 70567-0202 | A-70567-0202 |            |            |            |            |            |            | 68          |
| 70          | 15-80-0701 | A-70567-0033 | 70567-0067 | A-70567-0067 | 15-80-0703 | A-70567-0101 | 70567-0135 | A-70567-0135 | 15-80-0705 | A-70567-0169 | 70567-0203 | A-70567-0203 |            |            |            |            |            |            | 70          |
| 72          | 15-80-0721 | A-70567-0034 | 70567-0068 | A-70567-0068 | 15-80-0723 | A-70567-0102 | 70567-0136 | A-70567-0136 | 15-80-0725 | A-70567-0170 | 70567-0204 | A-70567-0204 |            |            |            |            |            |            | 72          |

| <b>SEE SHEETS 1 &amp; 2</b><br>EC NO: UCP2010-1587<br>2010/01/12<br>DRWNS/BARRA<br>CHKD/BARKER<br>2010/01/12<br>APPR/SMILLER<br>2010/03/31<br>REV DESCRIPTION | <b>QUALITY SYMBOLS</b><br>∇=0<br>∇=0<br>∇=0 |                  | <b>GENERAL TOLERANCES (UNLESS SPECIFIED)</b><br><table border="1"> <tr><th></th><th>mm</th><th>INCH</th></tr> <tr><td>4 PLACES</td><td>±---</td><td>±---</td></tr> <tr><td>3 PLACES</td><td>±---</td><td>±.005</td></tr> <tr><td>2 PLACES</td><td>±0.13</td><td>±.010</td></tr> <tr><td>1 PLACE</td><td>±0.25</td><td>±---</td></tr> </table> |                           |  | mm  | INCH | 4 PLACES | ±--- | ±--- | 3 PLACES | ±--- | ±.005 | 2 PLACES | ±0.13 | ±.010 | 1 PLACE | ±0.25 | ±--- | <b>DIMENSION STYLE</b><br><b>MM/IN</b><br>DRAWN BY DATE<br>EIK 1988/03/10<br>CHECKED BY DATE<br>EIK 1988/03/10<br>APPROVED BY DATE<br>SMILLER 2010/03/31 |  | <b>SCALE</b><br><b>1:1</b><br><b>DESIGN UNITS</b><br><b>INCH</b><br><b>THIRD ANGLE PROJECTION</b> |  | <b>TITLE</b><br><b>4 SIDES SHROUDED HEADER</b><br><b>HIGH TEMP. (2.54)/.100</b><br><b>GRID W/ (0.64)/.025 PINS</b> |  | <b>MATERIAL NO.</b><br><b>SDA-70567-****</b><br><b>SHEET NO.</b><br><b>3 OF 5</b> |  |
|---|---|------------------|---|---------------------------|--|---|------|----------|------|------|----------|------|-------|----------|-------|-------|---------|-------|------|--|--|---|--|--|--|---|--|
|   |   | mm               | INCH  |                           |  |   |      |          |      |      |          |      |       |          |       |       |         |       |      |  |  |   |  |  |  |   |  |
|   | 4 PLACES                                    | ±---             | ±---  |                           |  |   |      |          |      |      |          |      |       |          |       |       |         |       |      |  |  |   |  |  |  |   |  |
|   | 3 PLACES                                    | ±---             | ±.005   |                           |  |   |      |          |      |      |          |      |       |          |       |       |         |       |      |  |  |   |  |  |  |   |  |
|   | 2 PLACES                                    | ±0.13            | ±.010   |                           |  |   |      |          |      |      |          |      |       |          |       |       |         |       |      |  |  |   |  |  |  |   |  |
| 1 PLACE   | ±0.25                                       | ±---             |   |                           |  |   |      |          |      |      |          |      |       |          |       |       |         |       |      |  |  |   |  |  |  |   |  |
| <b>DRAFT WHERE APPLICABLE MUST REMAIN WITHIN DIMENSIONS</b>   |   | <b>SEE TABLE</b> |   | <b>MOLEX INCORPORATED</b> |  | <b>INCORPORATED AND SHOULD NOT BE USED WITHOUT WRITTEN PERMISSION</b> |      |          |      |      |          |      |       |          |       |       |         |       |      |  |  |   |  |  |  |   |  |

| ENGINEERING NUMBER<br>A-70567 | MANUFACTURE<br>RELEASE<br>STATUS |                |                      |  |  |  |  |  |  |  |  |  | CONNECTOR END PLATING |                |            | P.C. BOARD END PLATING |            |  | PACKAGING<br>INFORMATION<br>PK-70873- |
|-------------------------------|----------------------------------|----------------|----------------------|--|--|--|--|--|--|--|--|--|-----------------------|----------------|------------|------------------------|------------|--|---------------------------------------|
|                               |                                  | E<br>REF.      | C<br>±.015<br>(0.38) |  |  |  |  |  |  |  |  |  |                       | TYPE           | D<br>MEAS. | TYPE                   | F<br>MEAS. |  |                                       |
|                               |                                  |                |                      |  |  |  |  |  |  |  |  |  |                       |                |            |                        |            |  |                                       |
| -0205/-0238                   | R.F.M.                           | .130<br>(3.30) | .315<br>(8.00)       |  |  |  |  |  |  |  |  |  | TIN                   | .100<br>(2.54) | TIN        | .050<br>(1.27)         | 0018       |  |                                       |
| -0239/-0272                   | R.F.M.                           | .200<br>(5.08) | .315<br>(8.00)       |  |  |  |  |  |  |  |  |  | TIN                   | .100<br>(2.54) | TIN        | .050<br>(1.27)         | 0018       |  |                                       |
| -0273/-0306                   | R.F.M.                           | .130<br>(3.30) | .315<br>(8.00)       |  |  |  |  |  |  |  |  |  | 15 GOLD               | .100<br>(2.54) | TIN        | .050<br>(1.27)         | 0018       |  |                                       |
| -0307/-0340                   | R.F.M.                           | .200<br>(5.08) | .315<br>(8.00)       |  |  |  |  |  |  |  |  |  | 15 GOLD               | .100<br>(2.54) | TIN        | .050<br>(1.27)         | 0018       |  |                                       |
| -0341/-0374                   | R.F.M.                           | .130<br>(3.30) | .315<br>(8.00)       |  |  |  |  |  |  |  |  |  | 30 GOLD               | .100<br>(2.54) | TIN        | .050<br>(1.27)         | 0018       |  |                                       |
| -0375/-0408                   | R.F.M.                           | .200<br>(5.08) | .315<br>(8.00)       |  |  |  |  |  |  |  |  |  | 30 GOLD               | .100<br>(2.54) | TIN        | .050<br>(1.27)         | 0018       |  |                                       |

| NO. OF<br>CKTS | OPTION "B" |              | OPTION "B" |              | OPTION "B" |              | OPTION "B" |              | OPTION "B" |              | OPTION "B" |              |            |            |            |            |            |            | NO. OF<br>CKTS |
|----------------|------------|--------------|------------|--------------|------------|--------------|------------|--------------|------------|--------------|------------|--------------|------------|------------|------------|------------|------------|------------|----------------|
|                | EDP NUMBER | ENG NUMBER   | EDP NUMBER | ENG NUMBER   | EDP NUMBER | ENG NUMBER   | EDP NUMBER | ENG NUMBER   | EDP NUMBER | ENG NUMBER   | EDP NUMBER | ENG NUMBER   | EDP NUMBER | ENG NUMBER | EDP NUMBER | ENG NUMBER | EDP NUMBER | ENG NUMBER |                |
| 06             | 15-80-0067 | A-70567-0205 | 70567-0239 | A-70567-0239 | 15-80-0069 | A-70567-0273 | 70567-0307 | A-70567-0307 | 15-80-1061 | A-70567-0341 | 70567-0375 | A-70567-0375 |            |            |            |            |            |            | 06             |
| 08             | 15-80-0087 | A-70567-0206 | 70567-0240 | A-70567-0240 | 15-80-0089 | A-70567-0274 | 70567-0308 | A-70567-0308 | 15-80-1081 | A-70567-0342 | 70567-0376 | A-70567-0376 |            |            |            |            |            |            | 08             |
| 10             | 15-80-0107 | A-70567-0207 | 70567-0241 | A-70567-0241 | 15-80-0109 | A-70567-0275 | 70567-0309 | A-70567-0309 | 15-80-1101 | A-70567-0343 | 70567-0377 | A-70567-0377 |            |            |            |            |            |            | 10             |
| 12             | 15-80-0127 | A-70567-0208 | 70567-0242 | A-70567-0242 | 15-80-0129 | A-70567-0276 | 70567-0310 | A-70567-0310 | 15-80-1121 | A-70567-0344 | 70567-0378 | A-70567-0378 |            |            |            |            |            |            | 12             |
| 14             | 15-80-0147 | A-70567-0209 | 70567-0243 | A-70567-0243 | 15-80-0149 | A-70567-0277 | 70567-0311 | A-70567-0311 | 15-80-1141 | A-70567-0345 | 70567-0379 | A-70567-0379 |            |            |            |            |            |            | 14             |
| 16             | 15-80-0167 | A-70567-0210 | 70567-0244 | A-70567-0244 | 15-80-0169 | A-70567-0278 | 70567-0312 | A-70567-0312 | 15-80-1161 | A-70567-0346 | 70567-0380 | A-70567-0380 |            |            |            |            |            |            | 16             |
| 18             | 15-80-0187 | A-70567-0211 | 70567-0245 | A-70567-0245 | 15-80-0189 | A-70567-0279 | 70567-0313 | A-70567-0313 | 15-80-1181 | A-70567-0347 | 70567-0381 | A-70567-0381 |            |            |            |            |            |            | 18             |
| 20             | 15-80-0207 | A-70567-0212 | 70567-0246 | A-70567-0246 | 15-80-0209 | A-70567-0280 | 70567-0314 | A-70567-0314 | 15-80-1201 | A-70567-0348 | 70567-0382 | A-70567-0382 |            |            |            |            |            |            | 20             |
| 22             | 15-80-0227 | A-70567-0213 | 70567-0247 | A-70567-0247 | 15-80-0229 | A-70567-0281 | 70567-0315 | A-70567-0315 | 15-80-1221 | A-70567-0349 | 70567-0383 | A-70567-0383 |            |            |            |            |            |            | 22             |
| 24             | 15-80-0247 | A-70567-0214 | 70567-0248 | A-70567-0248 | 15-80-0249 | A-70567-0282 | 70567-0316 | A-70567-0316 | 15-80-1241 | A-70567-0350 | 70567-0384 | A-70567-0384 |            |            |            |            |            |            | 24             |
| 26             | 15-80-0267 | A-70567-0215 | 70567-0249 | A-70567-0249 | 15-80-0269 | A-70567-0283 | 70567-0317 | A-70567-0317 | 15-80-1261 | A-70567-0351 | 70567-0385 | A-70567-0385 |            |            |            |            |            |            | 26             |
| 28             | 15-80-0287 | A-70567-0216 | 70567-0250 | A-70567-0250 | 15-80-0289 | A-70567-0284 | 70567-0318 | A-70567-0318 | 15-80-1281 | A-70567-0352 | 70567-0386 | A-70567-0386 |            |            |            |            |            |            | 28             |
| 30             | 15-80-0307 | A-70567-0217 | 70567-0251 | A-70567-0251 | 15-80-0309 | A-70567-0285 | 70567-0319 | A-70567-0319 | 15-80-1301 | A-70567-0353 | 70567-0387 | A-70567-0387 |            |            |            |            |            |            | 30             |
| 32             | 15-80-0327 | A-70567-0218 | 70567-0252 | A-70567-0252 | 15-80-0329 | A-70567-0286 | 70567-0320 | A-70567-0320 | 15-80-1321 | A-70567-0354 | 70567-0388 | A-70567-0388 |            |            |            |            |            |            | 32             |
| 34             | 15-80-0347 | A-70567-0219 | 70567-0253 | A-70567-0253 | 15-80-0349 | A-70567-0287 | 70567-0321 | A-70567-0321 | 15-80-1341 | A-70567-0355 | 70567-0389 | A-70567-0389 |            |            |            |            |            |            | 34             |
| 36             | 15-80-0367 | A-70567-0220 | 70567-0254 | A-70567-0254 | 15-80-0369 | A-70567-0288 | 70567-0322 | A-70567-0322 | 15-80-1361 | A-70567-0356 | 70567-0390 | A-70567-0390 |            |            |            |            |            |            | 36             |
| 38             | 15-80-0387 | A-70567-0221 | 70567-0255 | A-70567-0255 | 15-80-0389 | A-70567-0289 | 70567-0323 | A-70567-0323 | 15-80-1381 | A-70567-0357 | 70567-0391 | A-70567-0391 |            |            |            |            |            |            | 38             |
| 40             | 15-80-0407 | A-70567-0222 | 70567-0256 | A-70567-0256 | 15-80-0409 | A-70567-0290 | 70567-0324 | A-70567-0324 | 15-80-1401 | A-70567-0358 | 70567-0392 | A-70567-0392 |            |            |            |            |            |            | 40             |
| 42             | 15-80-0427 | A-70567-0223 | 70567-0257 | A-70567-0257 | 15-80-0429 | A-70567-0291 | 70567-0325 | A-70567-0325 | 15-80-1421 | A-70567-0359 | 70567-0393 | A-70567-0393 |            |            |            |            |            |            | 42             |
| 44             | 15-80-0447 | A-70567-0224 | 70567-0258 | A-70567-0258 | 15-80-0449 | A-70567-0292 | 70567-0326 | A-70567-0326 | 15-80-1441 | A-70567-0360 | 70567-0394 | A-70567-0394 |            |            |            |            |            |            | 44             |
| 46             | 15-80-0467 | A-70567-0225 | 70567-0259 | A-70567-0259 | 15-80-0469 | A-70567-0293 | 70567-0327 | A-70567-0327 | 15-80-1461 | A-70567-0361 | 70567-0395 | A-70567-0395 |            |            |            |            |            |            | 46             |
| 48             | 15-80-0487 | A-70567-0226 | 70567-0260 | A-70567-0260 | 15-80-0489 | A-70567-0294 | 70567-0328 | A-70567-0328 | 15-80-1481 | A-70567-0362 | 70567-0396 | A-70567-0396 |            |            |            |            |            |            | 48             |
| 50             | 15-80-0507 | A-70567-0227 | 70567-0261 | A-70567-0261 | 15-80-0509 | A-70567-0295 | 70567-0329 | A-70567-0329 | 15-80-1501 | A-70567-0363 | 70567-0397 | A-70567-0397 |            |            |            |            |            |            | 50             |
| 52             | 15-80-0527 | A-70567-0228 | 70567-0262 | A-70567-0262 | 15-80-0529 | A-70567-0296 | 70567-0330 | A-70567-0330 | 15-80-1521 | A-70567-0364 | 70567-0398 | A-70567-0398 |            |            |            |            |            |            | 52             |
| 54             | 15-80-0547 | A-70567-0229 | 70567-0263 | A-70567-0263 | 15-80-0549 | A-70567-0297 | 70567-0331 | A-70567-0331 | 15-80-1541 | A-70567-0365 | 70567-0399 | A-70567-0399 |            |            |            |            |            |            | 54             |
| 56             | 15-80-0567 | A-70567-0230 | 70567-0264 | A-70567-0264 | 15-80-0569 | A-70567-0298 | 70567-0332 | A-70567-0332 | 15-80-1561 | A-70567-0366 | 70567-0400 | A-70567-0400 |            |            |            |            |            |            | 56             |
| 58             | 15-80-0587 | A-70567-0231 | 70567-0265 | A-70567-0265 | 15-80-0589 | A-70567-0299 | 70567-0333 | A-70567-0333 | 15-80-1581 | A-70567-0367 | 70567-0401 | A-70567-0401 |            |            |            |            |            |            | 58             |
| 60             | 15-80-0607 | A-70567-0232 | 70567-0266 | A-70567-0266 | 15-80-0609 | A-70567-0300 | 70567-0334 | A-70567-0334 | 15-80-1601 | A-70567-0368 | 70567-0402 | A-70567-0402 |            |            |            |            |            |            | 60             |
| 62             | 15-80-0627 | A-70567-0233 | 70567-0267 | A-70567-0267 | 15-80-0629 | A-70567-0301 | 70567-0335 | A-70567-0335 | 15-80-1621 | A-70567-0369 | 70567-0403 | A-70567-0403 |            |            |            |            |            |            | 62             |
| 64             | 15-80-0647 | A-70567-0234 | 70567-0268 | A-70567-0268 | 15-80-0649 | A-70567-0302 | 70567-0336 | A-70567-0336 | 15-80-1641 | A-70567-0370 | 70567-0404 | A-70567-0404 |            |            |            |            |            |            | 64             |
| 66             | 15-80-0667 | A-70567-0235 | 70567-0269 | A-70567-0269 | 15-80-0669 | A-70567-0303 | 70567-0337 | A-70567-0337 | 15-80-1661 | A-70567-0371 | 70567-0405 | A-70567-0405 |            |            |            |            |            |            | 66             |
| 68             | 15-80-0687 | A-70567-0236 | 70567-0270 | A-70567-0270 | 15-80-0689 | A-70567-0304 | 70567-0338 | A-70567-0338 | 15-80-1681 | A-70567-0372 | 70567-0406 | A-70567-0406 |            |            |            |            |            |            | 68             |
| 70             | 15-80-0707 | A-70567-0237 | 70567-0271 | A-70567-0271 | 15-80-0709 | A-70567-0305 | 70567-0339 | A-70567-0339 | 15-80-1701 | A-70567-0373 | 70567-0407 | A-70567-0407 |            |            |            |            |            |            | 70             |
| 72             | 15-80-0727 | A-70567-0238 | 70567-0272 | A-70567-0272 | 15-80-0729 | A-70567-0306 | 70567-0340 | A-70567-0340 | 15-80-1721 | A-70567-0374 | 70567-0408 | A-70567-0408 |            |            |            |            |            |            | 72             |

**SEE SHEETS 1 & 2**  
 EC NO. UCT 2010-1587  
 DRAWN BY CHKOBBARKER 2010/01/12  
 APPR. BY MILLER 2010/03/31

**QUALITY SYMBOLS**  
 ∇=0  
 ∇=0  
 ∇=0

**GENERAL TOLERANCES (UNLESS SPECIFIED)**  
 DIMENSION STYLE: MM/IN  
 SCALE: 1:1  
 DESIGN UNITS: INCH  
 THIRD ANGLE PROJECTION

DRAWN BY: EIK 1988/03/10  
 CHECKED BY: EIK 1988/03/10  
 APPROVED BY: MILLER 2010/03/31

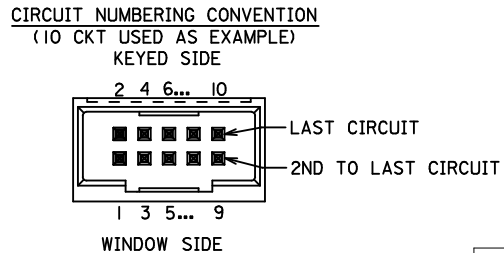
MATERIAL NO. SDA-70567-\*\*\*\*  
 DOCUMENT NO. SDA-70567-\*\*\*\*  
 SHEET NO. 4 OF 5

**4 SIDES SHROUDED HEADER  
 HIGH TEMP. (2.54)/.100  
 GRID W/ (0.64)/.025 PINS**

**MOLEX INCORPORATED**  
 THIS DRAWING CONTAINS INFORMATION THAT IS PROPRIETARY TO MOLEX INCORPORATED AND SHOULD NOT BE USED WITHOUT WRITTEN PERMISSION

# SPECIAL - WITH VOIDS

| CKTS<br>SIZE | ENGINEERING<br>NUMBER<br>A-70567 | EDP<br>NUMBER | E<br>REF.      | C<br>$\pm \frac{.015}{(0.38)}$ | K<br>$\pm \frac{.015}{(0.38)}$ | VOID<br>CKTS | CONNECTOR END PLATING |                | P.C. BOARD END PLATING |                | PACKAGING<br>INFORMATION<br>PK-70873- |
|--------------|----------------------------------|---------------|----------------|--------------------------------|--------------------------------|--------------|-----------------------|----------------|------------------------|----------------|---------------------------------------|
|              |                                  |               |                |                                |                                |              | TYPE                  | D<br>MEAS.     | TYPE                   | F<br>MEAS.     |                                       |
| 10           | -9003                            | 70567-9003    | .130<br>(3.30) | .315<br>(8.00)                 | .415<br>(10.54)                | 10           | GOLD                  | .100<br>(2.54) | TIN                    | .050<br>(.127) | 0018                                  |
|              |                                  |               |                |                                |                                |              |                       |                |                        |                |                                       |
|              |                                  |               |                |                                |                                |              |                       |                |                        |                |                                       |
|              |                                  |               |                |                                |                                |              |                       |                |                        |                |                                       |
|              |                                  |               |                |                                |                                |              |                       |                |                        |                |                                       |
|              |                                  |               |                |                                |                                |              |                       |                |                        |                |                                       |
|              |                                  |               |                |                                |                                |              |                       |                |                        |                |                                       |
|              |                                  |               |                |                                |                                |              |                       |                |                        |                |                                       |
|              |                                  |               |                |                                |                                |              |                       |                |                        |                |                                       |
|              |                                  |               |                |                                |                                |              |                       |                |                        |                |                                       |



|   |                                      |                                       |       |  |       |                        |   |   |  |  |  |  |
|---|--------------------------------------|---------------------------------------|-------|--|-------|------------------------|---|---|--|--|--|--|
| SEE SHEETS 1 & 2<br>EC NO: UCP2010-1587<br>DRWN:MSIBARRA 2010/01/12<br>CHKD:BBARKER 2010/01/12<br>APPR:SMILLER 2010/03/31 | QUALITY SYMBOLS<br>▽=0<br>▽=0<br>▽=0 | GENERAL TOLERANCES (UNLESS SPECIFIED) |       | DIMENSION STYLE<br>MM/IN                             |       | SCALE<br>4:1           | DESIGN UNITS<br>INCH  | THIRD ANGLE PROJECTION  |  |  |  |  |
|   |                                      |                                       |       | mm   | INCH  | DRAWN BY<br>EIK        | DATE<br>1988/03/10  | TITLE<br>4 SIDES SHROUDED HEADER<br>HIGH TEMP. (2.54)/100<br>GRID W/ (0.64)/.025 PINS |  |  |  |  |
|   |                                      |                                       |       | 4 PLACES ±.005                                       | ±.005 | CHECKED BY<br>EIK      | DATE<br>1988/03/10  |   |  |  |  |  |
|   |                                      |                                       |       | 3 PLACES ±.010                                       | ±.010 | APPROVED BY<br>SMILLER |   | DATE<br>2010/03/31  | MOLEX INCORPORATED<br>SDA-70567-****<br>SHEET NO. 5 OF 5 |  |  |  |
|   |                                      |                                       |       | 2 PLACES ±.025                                       | ±.025 | MATERIAL NO.           |   | DOCUMENT NO.  |  |  |  |  |
|   |                                      | 1 PLACE ±.050                         | ±.050 | DRAFT WHERE APPLICABLE MUST REMAIN WITHIN DIMENSIONS |       | SIZE                   | THIS DRAWING CONTAINS INFORMATION THAT IS PROPRIETARY TO MOLEX INCORPORATED AND SHOULD NOT BE USED WITHOUT WRITTEN PERMISSION |   |  |  |  |  |