

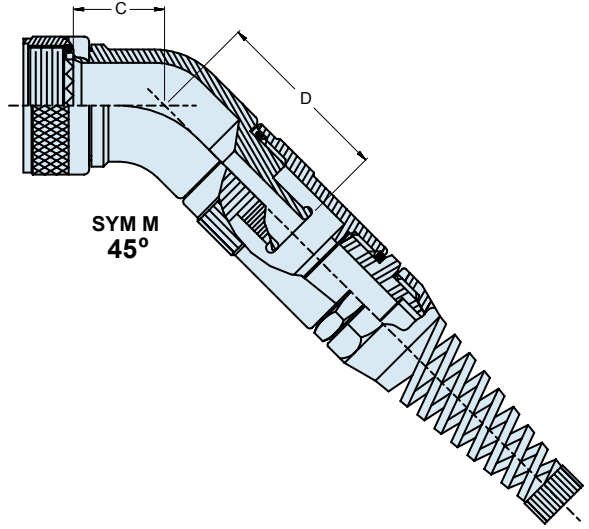
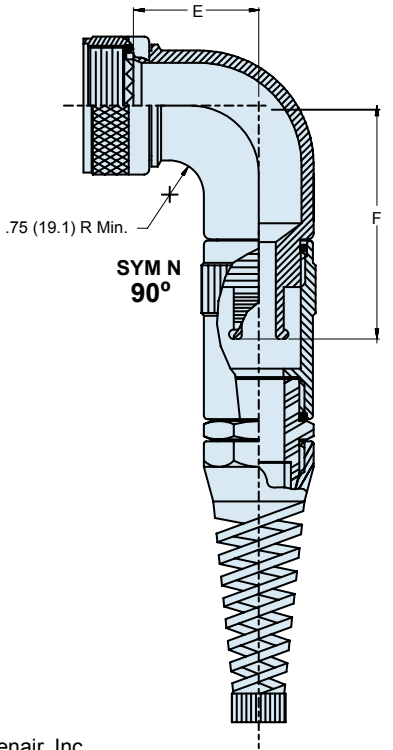
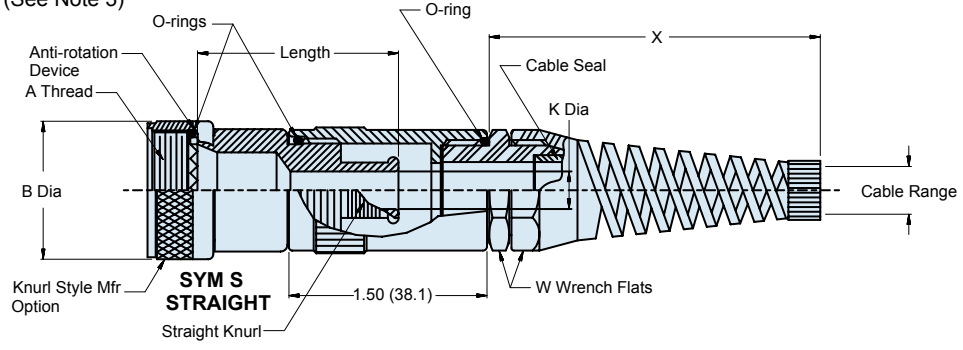
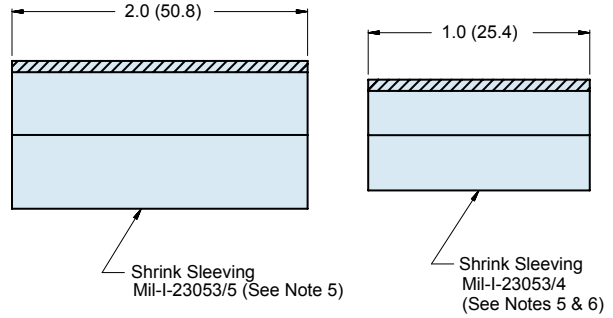


189-037

Environmental Backshell with Banding Strain Relief for MIL-DTL-38999 Series III Fiber Optic Connectors

189 H S 037 M 17 07-3

- Product Series _____
- Connector Designator _____
 H = MIL-DTL-38999 Series III
- Angular Function _____
 S = Straight
 M = 45° Elbow
 N = 90° Elbow
- Basic Number _____
- Finish Symbol _____
 (Table III)
- Shell Size _____
 (See Table I)
- Dash No. _____
 (See Table II)
- Length in 1/2-Inch Increments _____
 (See Note 3)



© 2006 Glenair, Inc. CAGE Code 06324 Printed in U.S.A.

189-037
Environmental Backshell with Banding Strain Relief
for MIL-DTL-38999 Series III Fiber Optic Connectors



TABLE I: SHELL SIZE						
Shell Size	A Thread ISO Metric	B Max	C Max	D Max	E Max	F Max
11	M15 x 1 - 6H	1.060 (26.9)	.861 (21.9)	1.111 (28.2)	1.563 (39.7)	1.875 (47.6)
13	M18 x 1 - 6H	1.170 (29.7)	.911 (23.1)	1.161 (29.5)	1.938 (49.2)	2.250 (57.2)
15	M22 x 1 - 6H	1.290 (32.8)	.965 (24.5)	1.215 (30.9)	1.938 (49.2)	2.250 (57.2)
17	M25 x 1 - 6H	1.420 (36.1)	1.014 (25.8)	1.264 (32.1)	2.063 (52.4)	2.375 (60.3)
19	M28 x 1 - 6H	1.540 (39.1)	1.064 (27.0)	1.314 (33.4)	2.063 (52.4)	2.375 (60.3)
21	M31 x 1 - 6H	1.670 (42.4)	1.118 (28.4)	1.368 (34.7)	2.563 (65.1)	2.875 (73.0)
23	M34 x 1 - 6H	2.010 (51.1)	1.172 (29.8)	1.422 (36.1)	2.313 (58.8)	2.688 (68.3)
25	M37 x 1 - 6H	2.120 (53.8)	1.221 (31.0)	1.471 (37.4)	2.250 (57.2)	2.563 (65.1)

TABLE II: DASH NUMBER, CABLE RANGE & SHRINK SLEEVE						
Dash No.	Fiber Optic Cable Range	K Dia ±.005 (0.1)	W Hex	X Dim	MIL-I-23053/4 Shrink Sleeve	MIL-I-23053/3 Shrink Sleeve
05	.200 (5.1) / .285 (7.2)	.312 (8.0)	.750 (19.1)	2.320 (58.9)	/4-203-0	/5-107-0
07	.285 (7.2) / .390 (9.9)	.438 (11.1)	.870 (22.1)	2.800 (71.1)	/4-204-0	/5-108-0
09	.390 (9.9) / .550 (14.0)	.562 (14.3)	1.060 (26.9)	3.660 (93.0)	/4-204-0	/5-109-0
11	.550 (14.0) / .670 (17.0)	.688 (17.5)	1.300 (33.0)	4.370 (111.0)	/4-205-0	/5-109-0

TABLE III: FINISH		
SYM	MATERIAL	FINISH
NF	Aluminum	Cadmium/Olive Drab over Electroless Nickel (500 Hr. Salt Spray)
B	Aluminum	Cadmium Plate/Olive Drab
J	Aluminum	Gold Iridite over Cadmium Plate over Nickel
N	Aluminum	Cadmium Plate/Olive Drab over Nickel
M	Aluminum	Electroless Nickel
T	Aluminum	Cadmium Plate/Bright Dip over Nickel

APPLICATION NOTES

1. Assembly to be identified with manufacturer's name and P/N as space permitted.
2. Glenair 600 series Backshell assembly tools are recommended for assembly and installation.
3. Standard minimum length: 1.5 inches, for shorter length consult factory.
4. Material/ Finish:
 Adapter, Coupling Nut- Al Alloy/ See Table III.
 Strain relief components- Nylon 6/6 (Flame resistant/ zero halogen).
 Anti- Rotation device- Torlon 4203L- Natural.
 O-Rings- Fluorosilicone/ N.A.
5. MIL-I-23053/4 & /5 Shrink Sleeving to be packaged loose in a plastic bag.
6. MIL-I-23054/4 Shrink Sleeving to be heat Shrink over rear of adapter before MIL-I-23053/5 Shrink Sleeving.
7. Metric dimensions (mm) are indicated in parentheses.