

FEATURES

- Single 5 V supply
- 54 MHz to 865 MHz CATV operating range
- 4.6 dB of gain per output channel
- 4.4 dB noise figure
- 25 dB isolation between output channels
- 16 dB input return loss
- CSO of -89 dBc (135 channels, 15 dBmV per tone)
- CTB of -81 dBc (135 channels, 15 dBmV per tone)
- 1.3 GHz, -3 dB bandwidth

APPLICATIONS

- Cable set-top boxes
- Home gateways
- CATV distribution systems
- Cable splitter modules

GENERAL DESCRIPTION

The ADA4302-4 is used as an active element in applications where a lossless signal split is required. Typical applications include multituner cable set-top boxes, cable splitter modules, multituner televisions, and home gateways where traditional solutions have consisted of discrete passive splitters followed by separate fixed gain amplifiers. The ADA4302-4 is a low cost alternative solution that simplifies designs and improves system performance by integrating a signal splitter element and gain element into a single IC solution.

The ADA4302-4 features four differential outputs. The differential architecture allows systems designed with the ADA4302-4 to maintain excellent linearity throughout the CATV band. The ADA4302-4 can also be configured for applications that require fewer than four outputs. Outputs may be configured independently from one another.

For more information about the ADA4302-4, contact Analog Devices, Inc. via email at high_current_drivers.com@analog.com.

FUNCTIONAL BLOCK DIAGRAM

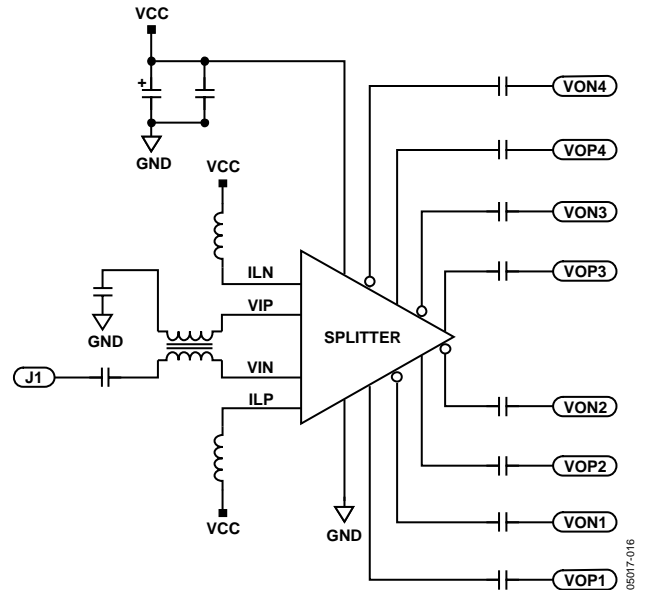


Figure 1.

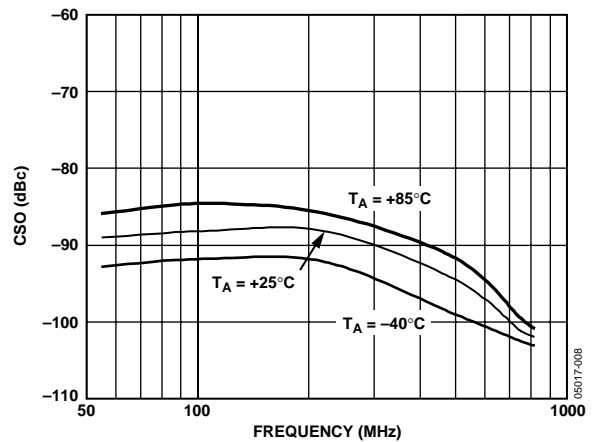


Figure 2. Composite Second-Order vs. Frequency

Rev. Sp0

Information furnished by Analog Devices is believed to be accurate and reliable. However, no responsibility is assumed by Analog Devices for its use, nor for any infringements of patents or other rights of third parties that may result from its use. Specifications subject to change without notice. No license is granted by implication or otherwise under any patent or patent rights of Analog Devices. Trademarks and registered trademarks are the property of their respective owners.

