

**PLEASE CHECK WWW.MOLEX.COM FOR LATEST PART INFORMATION**

**Part Number:** [73356-0400](#)  
**Status:** **Active**  
**Overview:** Type F RF Connectors  
**Description:** 75 Ohms, F Right-Angle Jack

**Documents:**

[Drawing \(PDF\)](#) [RoHS Certificate of Compliance \(PDF\)](#)  
[Product Specification PS-89675-3640 \(PDF\)](#)

**General**

Product Family	RF/Coax Connectors
Series	<a href="#">73356</a>
Overview	<a href="#">Type F RF Connectors</a>
Product Name	F
Style	PCB
UPC	822350107884
Wire/Cable Type	N/A

**Physical**

Cable Attachment	N/A
Gender	Jack
Keying to Mating Part	None
Net Weight	13.430/g
Orientation	Right Angle
PCB Mounting	Through Hole
PCB Thickness - Recommended	2.79mm
Packaging Type	Bag
Panel Mount	No
Panel Mount Method	N/A

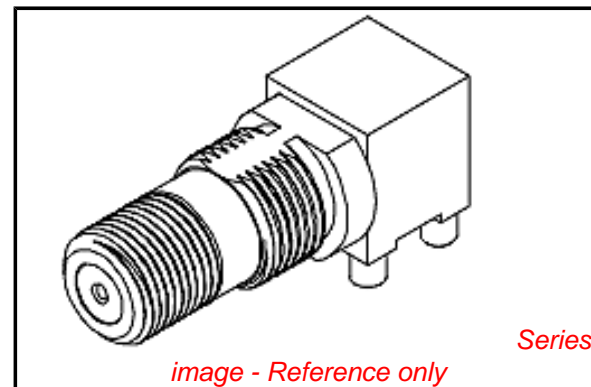
**Electrical**

Impedance	75#
-----------	-----

**Material Info**

**Reference - Drawing Numbers**

Product Specification	PS-89675-3640
Sales Drawing	SD-73356-040



**EU RoHS**

**RoHS Compliant RF Product**

**REACH SVHC**

Not Reviewed

**Low-Halogen Status**

**Low-Halogen**

**China RoHS**



**Need more information on product environmental compliance?**

Email [productcompliance@molex.com](mailto:productcompliance@molex.com)  
 For a multiple part number RoHS Certificate of Compliance, [click here](#)

Please visit the [Contact Us](#) section for any non-product compliance questions.

**Search Parts in this Series**

[73356Series](#)