

Data Sheet

PD1850U06-160

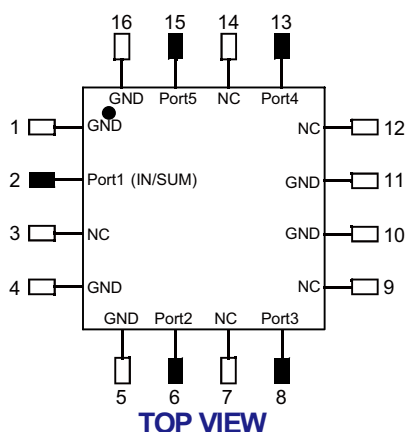
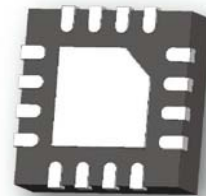
Power Divider/Combiner

4-Way 0° 50Ω 1.70-2.00 GHz



Features

- Small Size (3×3mm QFN package)
- Passive RF IC, no need external DC power supply
- No need external 100 Ω resistor
- Very Low Loss
- Tight Amplitude Balance
- High Isolation
- Low VSWR
- Good Repeatability
- Tape & Reel
- Operating Temperature -40°C~85°C
- Power handling
 - 2 Watts as a divider
 - 0.5 Watts as a combiner



Applications

- Wireless communications
- WLAN / WiMax
- SAT Radio
- ISM band instrument
- Information System for Automotive Safety

Notes:

1. Require to add Capacitors of DC Blocker between Pins(with black color) and external circuit to prevent DC signal entry to guranteeparts normal work.
2. This part has passed through 100% RF test.

Electrical Specifications at 25° C

Parameter	Symbol	Min	Typ	Max	Unit
Frequency Range	F	1700		2000	MHz
Insertion Loss (Above 6dB)	I_L		0.45	0.60	dB
Isolation	Isol	16	22		dB
Phase balance	\varnothing_{bal}		2		deg
Amplitude balance	A_{bal}		0.30	0.35	dB
Input VSWR			1.20~1.4		:1
Output VSWR			1.20~1.5		:1

Yantel Corporation

Add: 3F, Building 3, Southern District 2 of Zhongguan Honghualing Industrial Park, Xili, Nanshan, Shenzhen, China
 Tel: 86-755-8355-1886 Fax: 86-755-8355-2533

Rev A3

For detailed performance specs & shopping online see Yantel web site : www.yantel-corp.com

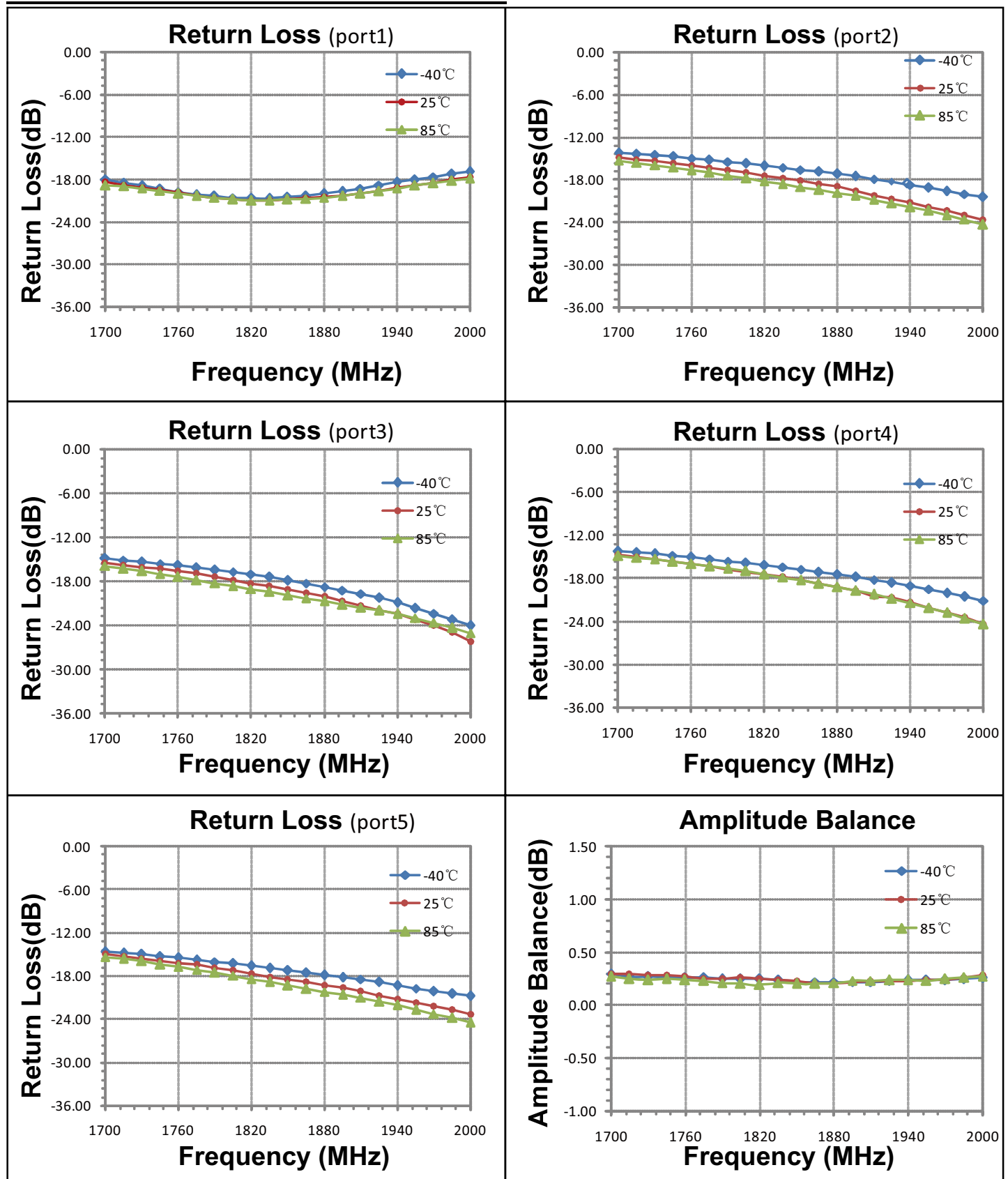
Data Sheet

PD1850U06-160

Power Divider/Combiner
4-Way 0° 50Ω 1.70-2.00 GHz



Typical Performance (-40°C, 25°C, 85°C: 1.7-2.0 GHz)



Yantel Corporation

Add: 3F, Building 3, Southern District 2 of Zhongguan Honghualing Industrial Park, Xili, Nanshan, Shenzhen, China
Tel: 86-755-8355-1886 Fax: 86-755-8355-2533

Rev A3

For detailed performance specs & shopping online see Yantel web site : www.yantel-corp.com

Data Sheet

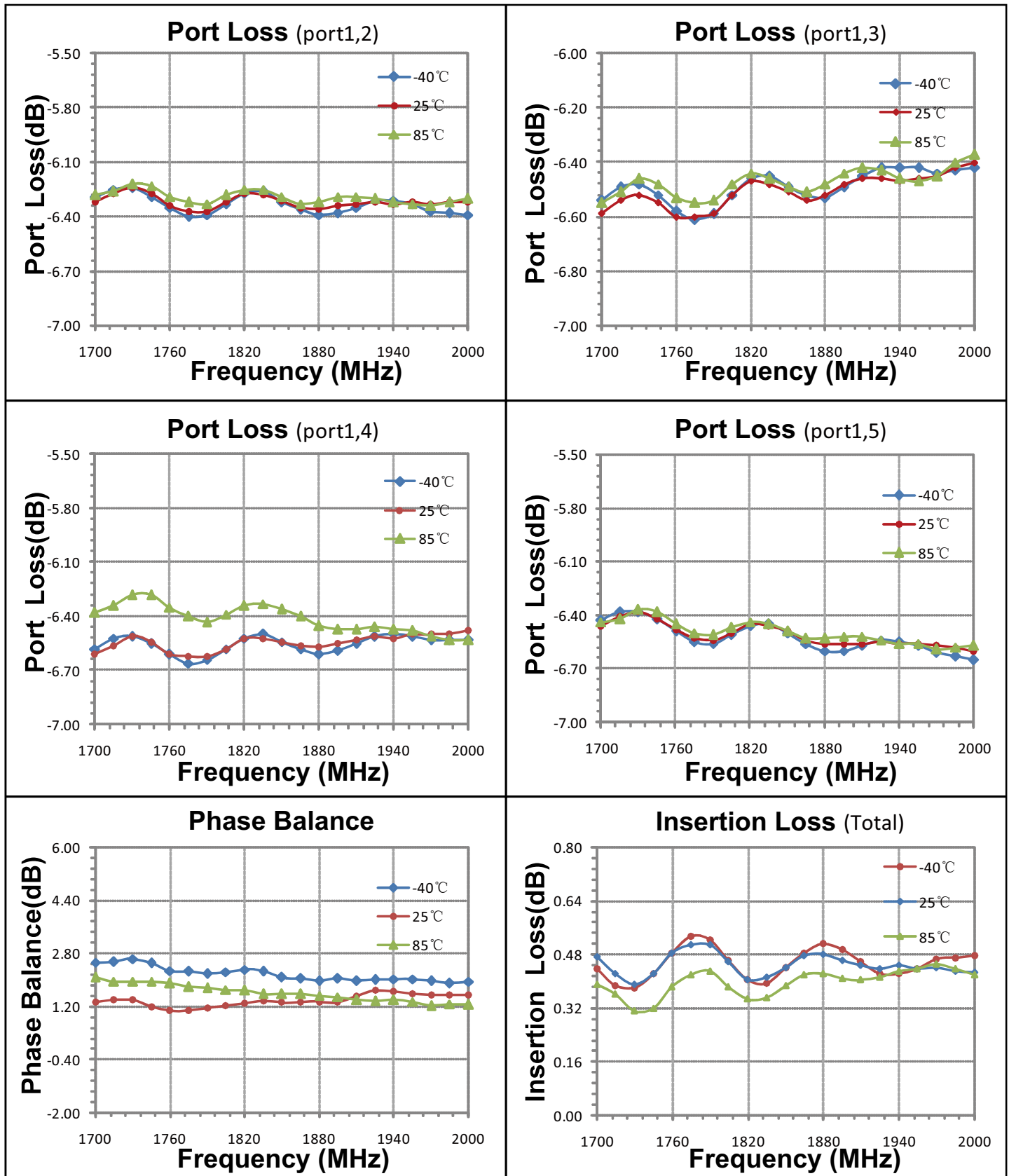
PD1850U06-160

Power Divider/Combiner

4-Way 0° 50Ω 1.70-2.00 GHz



Typical Performance (-40°C, 25°C, 85°C: 1.7-2.0 GHz)



Yantel Corporation

Add: 3F, Building 3, Southern District 2 of Zhongguan Honghualing Industrial Park, Xili, Nanshan, Shenzhen, China
 Tel: 86-755-8355-1886 Fax: 86-755-8355-2533

Rev A3

For detailed performance specs & shopping online see Yantel web site : www.yantel-corp.com

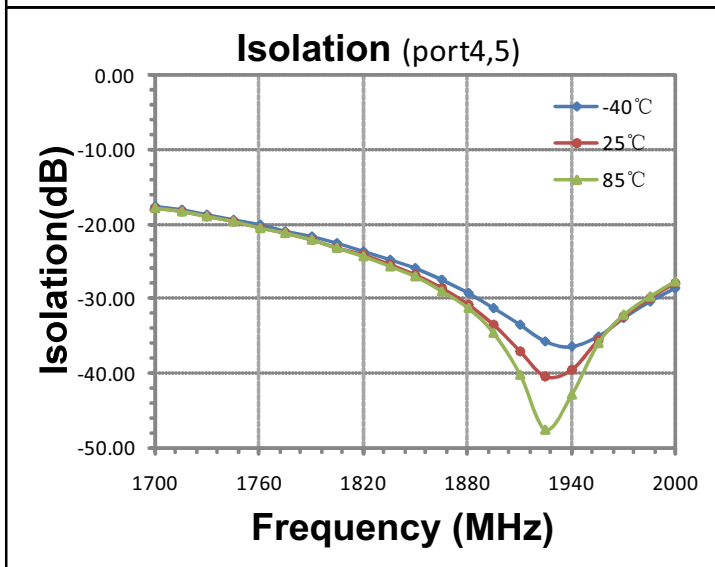
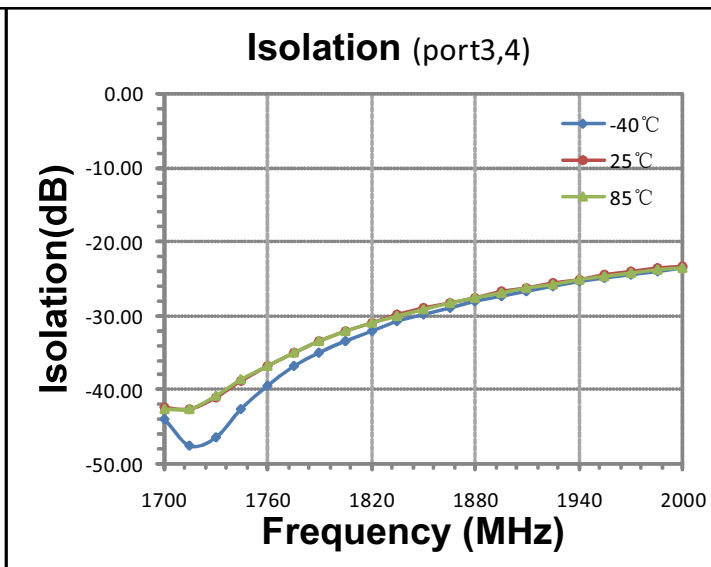
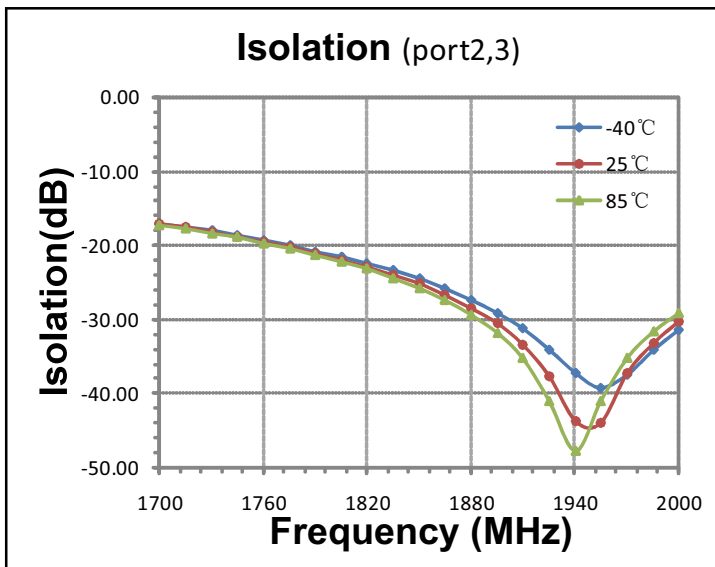
Data Sheet

PD1850U06-160

Power Divider/Combiner
4-Way 0° 50Ω 1.70-2.00 GHz



Typical Performance (-40°C, 25°C, 85°C: 1.7-2.0 GHz)



Yantel Corporation

Add: 3F, Building 3, Southern District 2 of Zhongguan Honghualing Industrial Park, Xili, Nanshan, Shenzhen, China
Tel: 86-755-8355-1886 Fax: 86-755-8355-2533

Rev A3

For detailed performance specs & shopping online see Yantel web site : www.yantel-corp.com

Data Sheet

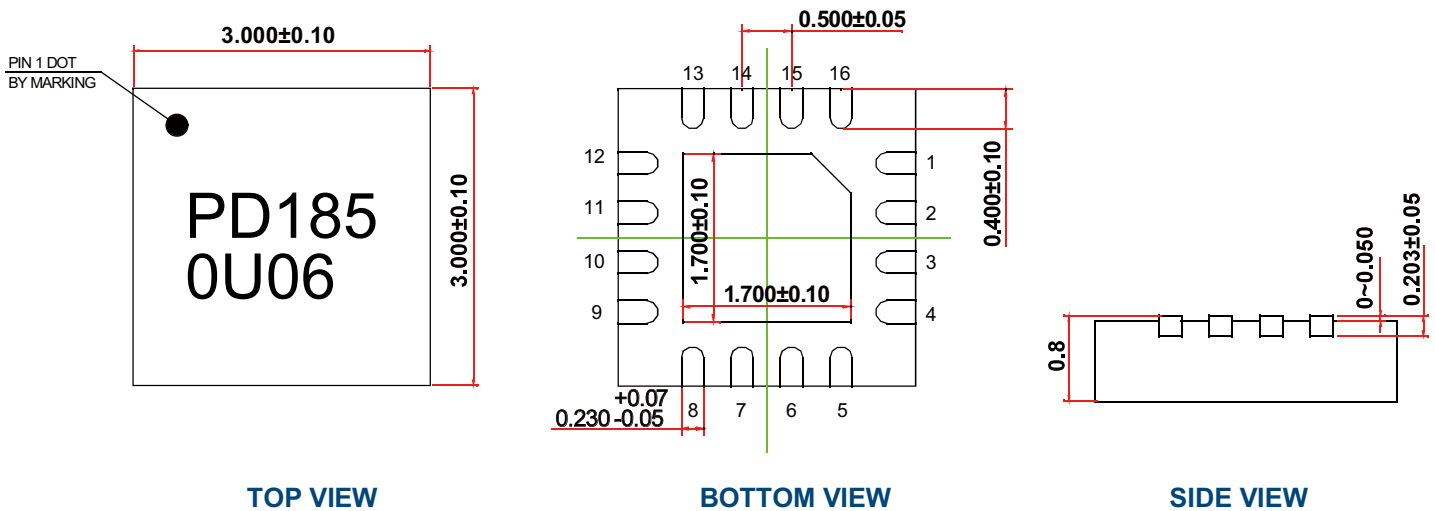
PD1850U06-160

Power Divider/Combiner

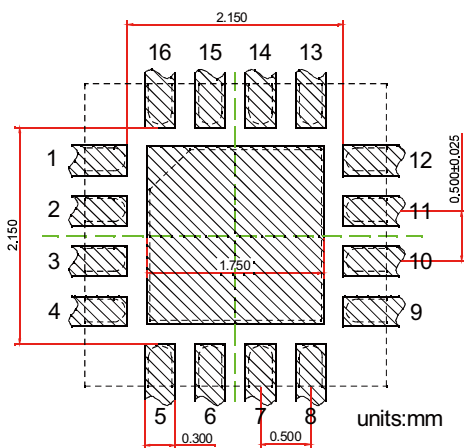
4-Way 0° 50Ω 1.70-2.00 GHz



Outline Drawing



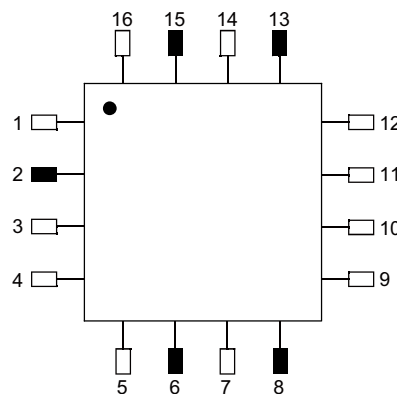
Land Pattern



Recommended Land Pattern
Top View

Notes: All dimensions show in millimeters

Pin Out



TOP VIEW

Notes:

1. Require to add Capacitors of DC Blocker between Pins (with black color) and external circuit to prevent DC signal entry to gurante -eparts normal work.
2. This part has passed through 100% RF test.

Pin #	Connection
1	GND
2	PORT 1 (IN/SUM)
3	NC
4	GND
5	GND
6	PORT 2
7	NC
8	PORT 3
9	NC
10	GND
11	GND
12	NC
13	PORT 4
14	NC
15	PORT 5
16	GND
Center Pad	GND

Yantel Corporation

Add: 3F, Building 3, Southern District 2 of Zhongguan Honghualing Industrial Park, Xili, Nanshan, Shenzhen, China
Tel: 86-755-8355-1886 Fax: 86-755-8355-2533

Rev A3

For detailed performance specs & shopping online see Yantel web site : www.yantel-corp.com