

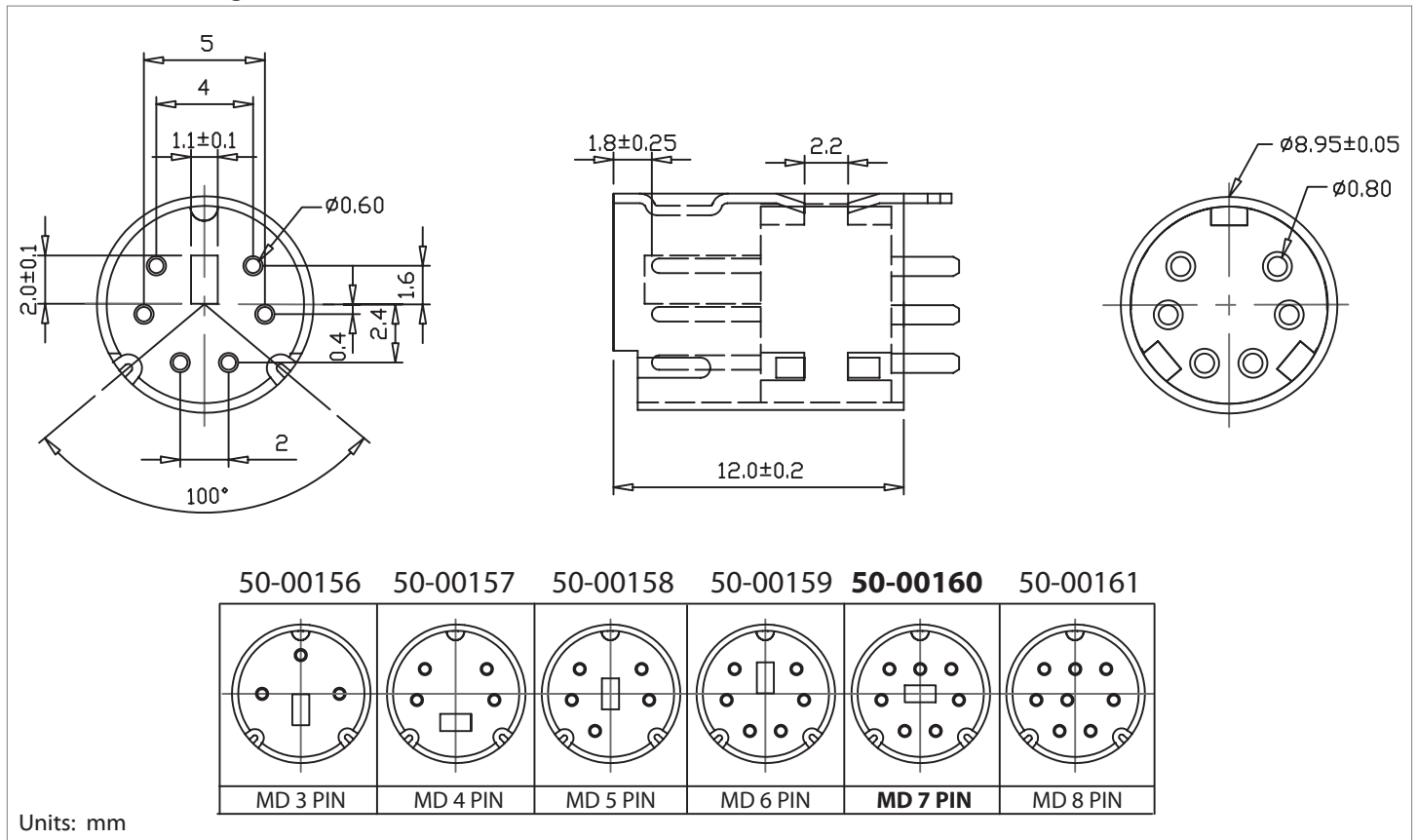
Materials:

| | |
|-----------------------|--|
| shell | brass, nickel-plated, 3 µm min. |
| insulator | PBT |
| pin | brass, gold-plated |
| rating | 100 Vac, 1 A max., or 12 Vdc, 2 A max, |
| insulation resistance | 50 mOhms min @ 250 Vdc |
| dielectric strength | 250 Vac/1 minute |
| operating temperature | -55°C to + 85°C |

Notes:

RoHS compliant

Mechanical drawing:



tolerance X: ±0.5 mm .X: ±0.3 mm .XX: ±0.05 mm
 applicable unless otherwise indicated in specification or on drawings

Initial

Date

Revision notes:

| Rev | Date | Description |
|-----|-------------------|--------------------------|
| A | November 29, 2011 | initial release |
| A1 | May 8, 2012 | updated to 50-00160 only |
| | | |

Specification Approval

Spec sign-off verifies that you have reviewed the entire specification, tested a sample of the product, and confirm that it meets your requirements. This specification reflects the part as it will be ordered. Orders will not be processed until the specification pages have been initialed and the approval page has been signed. This specification is confidential and is not to be transmitted without prior approval from Tensility.

Signature _____

Title _____

Name _____

Date _____

Company _____

Branch _____