

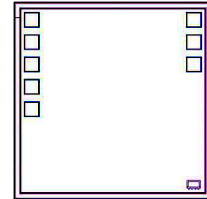
MMIC

Wideband Double Balanced Mixer Die **MDB-24H-D+**

Level 15 (LO Power 15dBm) 5-21.5 GHz

The Big Deal

- Wide bandwidth, 5-21.5 GHz
- High L-I Isolation, 44 dB typ
- Useable as Up & Down Converter



Product Overview

MDB-24H-D+ is an advanced wideband frequency mixer die fabricated using InGaP HBT technology with integrated LO and RF Baluns. It has repeatable performance making it suitable for volume production.

Key Features

Feature	Advantages
Double Balanced	Results in excellent LO-RF (21-35 dB typical) & LO-IF (28-44 dB typical) Isolations minimizing need for external filtering
Wide Bandwidth, 5 to 21.5 GHz	Useful in wideband systems or in in several narrowband systems. Reducing inventory
Wide IF Bandwidth DC-5 GHz	Usable in first and second down converter applications. IF as low as DC enables use in phase detector applications.
Unpackaged die	Enables users to integrate it directly into hybrid.



MMIC **Wideband Double Balanced Mixer Die** **MDB-24H-D+**

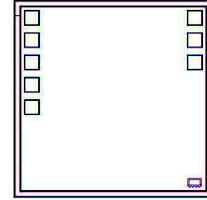
Level 15 (LO Power 15dBm) 5-21.5 GHz

Product Features

- Wide bandwidth 5 to 21.5 GHz
- High L-I Isolation, 44 dB typ. at 15 GHz
- Useable as Up & Down Converter

Typical Applications

- Satellite up and down converters
- Defense radar & communication
- VSAT
- Line of sight links
- Federal fixed service
- WiFi
- ISM



+RoHS Compliant

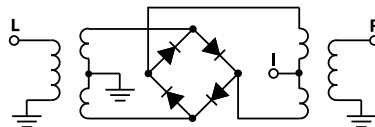
The +Suffix identifies RoHS Compliance. See our web site for RoHS Compliance methodologies and qualifications

Ordering Information: Refer to Last Page

General Description

MDB-24H-D+ is an advanced wideband frequency mixer die fabricated using InGaP HBT technology with inte-grated LO and RF Baluns. It has repeatable performance making it suitable for volume production.

Simplified Schematic and Pad description



Pad	Description
RF-IN	RF input pad
LO-IN	LO input pad
IF-OUT	IF output pad
GND	Connect to Ground

Note: 1. Bond Pad material - Gold
2. Bottom of Die - Gold plated

Electrical Specifications¹ at 25°C, unless noted

Parameter	Condition (GHz)	Min.	Typ.	Max.	Units
RF Frequency Range		5		21.5	GHz
LO Frequency Range		5		21.5	GHz
IF Frequency Range		DC		5	GHz
LO Power			+15		dBm
Conversion Loss (at IF=30 MHz)	5		6.9		dB
	10		9.0		
	15		7.9		
	20		9.4		
	21.5		10.3		
LO-RF Isolation	5		28		
	10		33		
	15		35		
	20		21		
	21.5		25		
LO-IF Isolation	5		28		dB
	10		36		
	15		44		
	20		36		
	21.5		39		
RF-IF Isolation	5		10		dB
	10		15		
	15		22		
	20		22		
	21.5		21		
Input at 1dB Compression	5-21.5		10		dBm
Input IP3	5		14		dBm
	10		21		
	15		23		
	20		24		
	21.5		23		
Noise Figure	5		6.9		dB
Thermal Resistance (junction-to-ground lead)			105		°C/W

1. Die performance measured in industry standard 4x4mm, 24-lead package. See Characterization Test Circuit, Figure 1.

Absolute Maximum Ratings²

Parameter	Ratings
Operating Temperature	-40°C to 85°C
RF Power	21 dBm
LO Power	21 dBm
IF Current	30 mA

2. Permanent damage may occur if any of these limits are exceeded.
Electrical maximum ratings are not intended for continuous normal operation.

Characterization Test Circuit

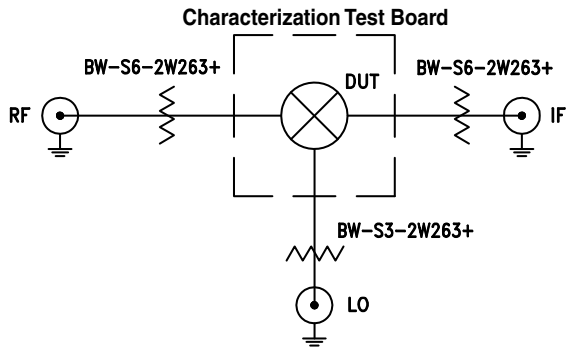


Figure 1A.
Block Diagram of Test Circuit used for die characterization of Conversion Loss, Isolations (LO-RF, LO-IF, RF-IF) and Return Loss (LO, RF, IF).

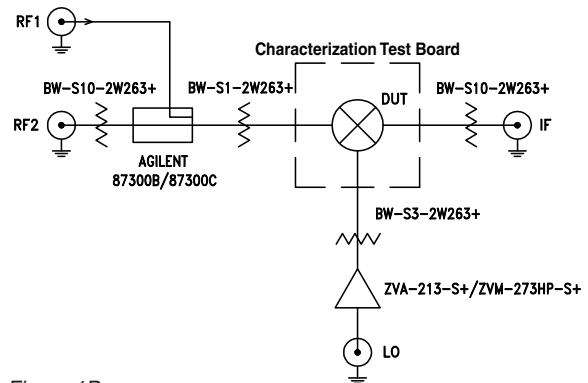


Figure 1B.
Block Diagram of Test Circuit used for die characterization of Input IP3.

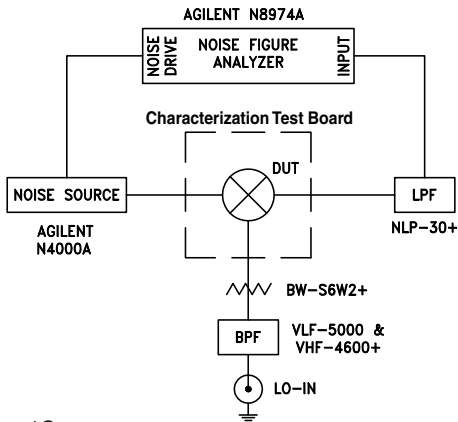


Figure 1C.
Block Diagram of Test Circuit used for die characterization of Noise Figure.

Figure 1. Block Diagram of Test Circuit used for die characterization. (DUT in MCLP package soldered on Mini-Circuits Characterization test board). Conversion Loss, Isolations; L-R, L-I & R-I are measured using R&S ZVA 24 microwave network analyzer. Input IP3 is measured Agilent MXA N9020A spectrum Analyzer and PSG E8257D Signal Generators. NF is measured using Agilent's N8974A NF Analyzer

Conditions (Down Converter):

1. Conversion Loss, Isolations (L-R, L-I & R-I): RF= 0 dBm, LO=+15 dBm, IF=30 MHz
2. Output IP3 (OIP3): Two tones, spaced 1 MHz apart, 0 dBm/tone at output.
3. Noise Figure: LO=+15 dBm

Die Layout

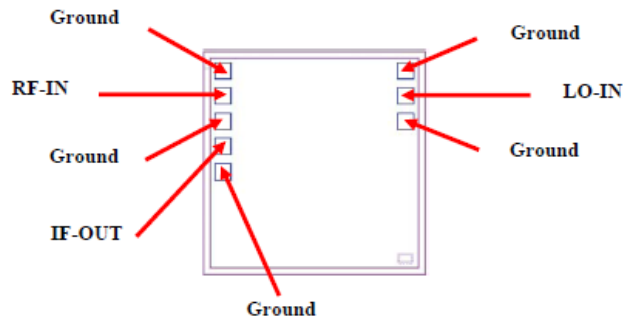


Fig 2. Die Layout

Bonding Pad Position
(Dimensions in μm , Typical)

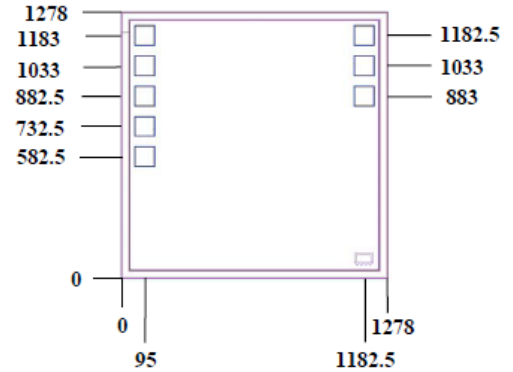


Fig 3. Bonding Pad Positions

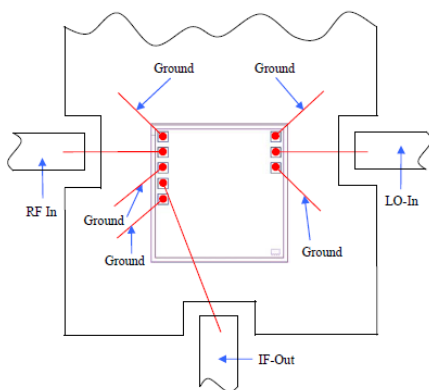
Critical Dimensions

Parameter	Values
Die Thickness, μm	100
Die Width, μm	1278
Die Length, μm	1278
Bond Pad Size (RF In), μm	100x100
Bond Pad Size (IF_Out), μm	100x100
Bond Pad Size (LO_In), μm	100x100
Bond Pad Size (Ground pad), μm	100x100

Assembly and Handling Procedure

1. Storage
Dice should be stored in a dry nitrogen purged desiccators or equivalent.
2. ESD
MMIC HBT mixer dice are susceptible to electrostatic and mechanical damage. Die are supplied in antistatic protected material, which should be opened in clean room conditions at an appropriately grounded anti-static workstation. Devices need careful handling using correctly designed collets, vacuum pickup tips or sharp antistatic tweezers to deter ESD damage to dice.
3. Die Attach
The die mounting surface must be clean and flat. Using conductive silver filled epoxy, recommended epoxies are DieMat DM6030Hk-PT/H579/H579 or Ablestik 84-1LMISR4. Apply sufficient epoxy to meet required epoxy bond line thickness, epoxy fillet height and epoxy coverage around total die periphery. Parts shall be cured in a nitrogen filled atmosphere per manufacturer's cure condition. It is recommended to use antistatic die pick up tools only.
4. Wire Bonding
Bond pad openings in the surface passivation above the bond pads are provided to allow wire bonding to the dice gold bond pads. Thermosonic bonding is used with minimized ultrasonic content. Bond force, time, ultrasonic power and temperature are all critical parameters. Suggested wire is pure gold, 1 mil diameter. Bonds must be made from the bond pads on the die to the package or substrate. All bond wires should be kept as short as low as reasonable to minimize performance degradation due to undesirable series inductance.

Assembly Diagram



Note: Ground bond wires are optional.

Recommended Wire Length, Typical

Wire	Wire Length (mm)	Wire Loop Height (mm)
GROUND	1.20	0.15
RF In	1.20	0.15
IF-Out	1.60	0.15
LO-In	1.20	0.15

Additional Detailed Technical Information	
<i>additional information is available on our dash board.</i>	
Performance Data	Data Table
	Swept Graphs
Case Style	Die
Die Ordering and packaging information	Quantity, Package Small, Gel - Pak: 10,50,100 KGD* Medium [†] , Partial wafer: KGD* <1085 Large [†] , Full Wafer
	Model No. MDB-24H-DG+ MDB-24H-DP+ MDB-24H-DF+ [†] Available upon request contact sales representative Refer to AN-60-067
Environmental Ratings	ENV-80

*Known Good Dice ("KGD") means that the dice in question have been subjected to Mini-Circuits DC test performance criteria and measurement instructions and that the parametric data of such dice fall within a predefined range. While DC testing is not definitive, it does help to provide a higher degree of confidence that dice are capable of meeting typical RF electrical parameters specified by Mini-Circuits.

ESD Rating**

Human Body Model (HBM): Class 1A (250 to <500V) in accordance with ANSI/ESD STM 5.1 - 2001

** Tested in industry standard 24-lead, 4x4mm MCLP package.

Additional Notes

- Performance and quality attributes and conditions not expressly stated in this specification document are intended to be excluded and do not form a part of this specification document.
- Electrical specifications and performance data contained in this specification document are based on Mini-Circuit's applicable established test performance criteria and measurement instructions.
- The parts covered by this specification document are subject to Mini-Circuits standard limited warranty and terms and conditions (collectively, "Standard Terms"); Purchasers of this part are entitled to the rights and benefits contained therein. For a full statement of the Standard Terms and the exclusive rights and remedies thereunder, please visit Mini-Circuits' website at www.minicircuits.com/MCLStore/terms.jsp
- Mini-Circuits does not warrant the accuracy or completeness of the information, text, graphics and other items contained within this document and same are provided as an accommodation and on an "As is" basis, with all faults.
- Purchasers of this part are solely responsible for proper storing, handling, assembly and processing of Known Good Dice (including, without limitation, proper ESD preventative measures, die preparation, die attach, wire bonding and related assembly and test activities), and Mini-Circuits assumes no responsibility therefor or for environmental effects on Known Good Dice.
- Mini-Circuits and the Mini-Circuits logo are registered trademarks of Scientific Components Corporation d/b/a Mini-Circuits. All other third-party trademarks are the property of their respective owners. A reference to any third-party trademark does not constitute or imply any endorsement, affiliation, sponsorship, or recommendation by any such third-party of Mini-Circuits or its products.

