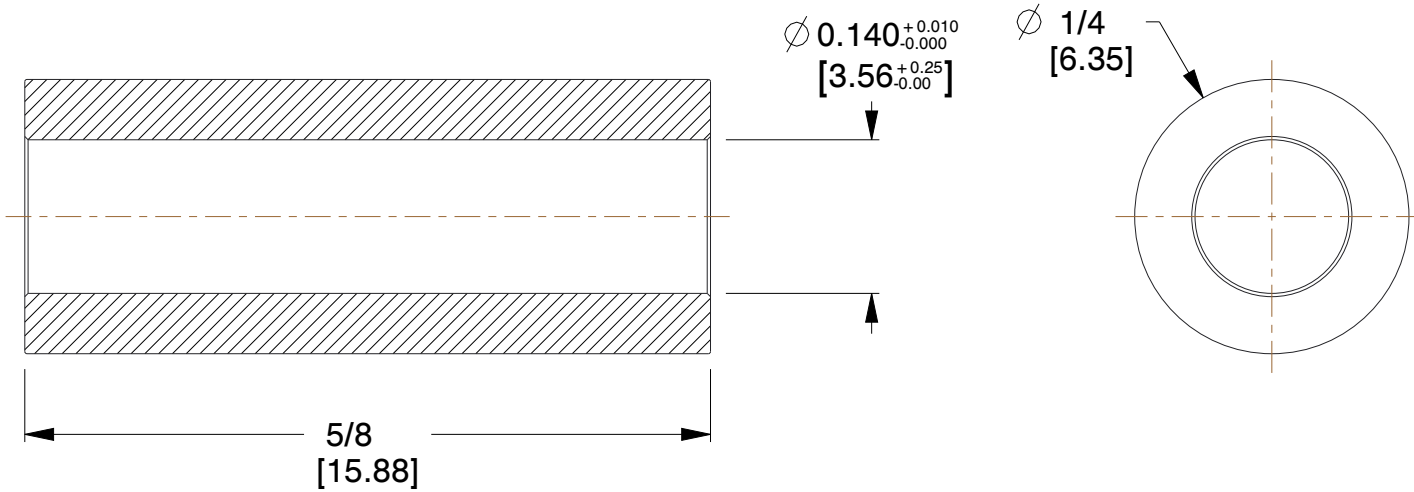
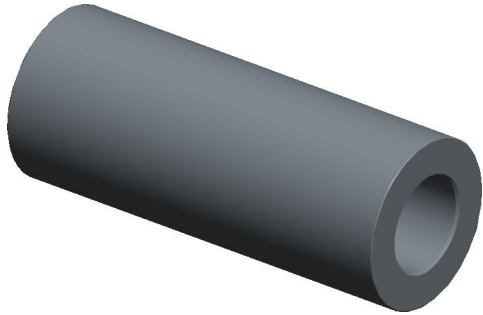


| REV | CHANGE | DATE     | DRN | CHK |
|-----|--------|----------|-----|-----|
|     | Drawn  | 02/06/17 | SJ  | T   |



**NOTES:**

1. Material : Nylon
2. Finish : No Plate
3. ASME Y14.5M - 2009
4. All Drawing Dimensions are in Inches [mm]
5. Unless otherwise specified; Edge Breaks, Radii or Countersinks 0.005-0.015



95 Silvermine Rd., Seymour CT 06483  
Tel: 203-888-2133, Fax: 203-888-9860

This Drawing is the Property of RAF.  
It contains confidential, proprietary information that is RAF property. Do not disclose to or duplicate for others except as authorized by RAF.

**TOLERANCES**  
ALL DIMENSIONS ARE INCHES (UNLESS OTHERWISE SPECIFIED)  
**METALLIC**  
LENGTHS <math><= 6</math> INCHES  $\pm 0.005</math>  
LENGTH > 6 INCHES  $\pm 0.010</math>  
DIAMETERS:  $\pm 0.005</math>  
**NON-METALLIC**  
LENGTH:  $\pm 0.010</math> DIAMETERS:  $\pm 0.010</math>  
**INTERNAL THREADS:**  
MINIMUM THREAD DEPTH$$$$$

| COMPONENT                                | SPACERS      |
|--|--------------|
| <b>1130-6-N</b><br><br>1/4 ROUND SPACERS | <b>SCALE</b> |
|  | 5.14         |
|  | <b>SHEET</b> |
|  | 1 of 1       |