



LL3-DR04

LL3

FIBER-OPTIC SENSORS AND FIBERS

SICK
Sensor Intelligence.



Ordering information

Type	Part no.
LL3-DR04	5308081

Other models and accessories → www.sick.com/LL3

Detailed technical data

Features

Device type	Fibers
Detection principle	Proximity system
For fiber-optic sensor	GLL170(T), WLL180T
Fiber length	1 m
Fiber material	Polymethylmethacrylat (PMMA)
Jacket material	Polyethylen (PE)
Fiber head material	Stainless steel ¹⁾
Outer diameter, fiber-optic cable connection	1.3 mm
Fiber-optic cable cuttable	✓
Smooth sleeve diameter (greatest diameter)	≥ 1.5 mm
Fiber-optic head design	Smooth sleeve
Fiber arrangement	Multi-fiber – fiber bundle
Core structure	S: 2 x Ø 0,25 mm R: 2 x Ø 0,25 mm ²⁾ Multi-fiber – fiber bundle
Bend radius, fibre-optic cable	4 mm
Angle of dispersion < 60°	No
Compatibility with infrared light (1,450 nm)	No
Ambient operating temperature	-40 °C ... +70 °C
Application	High flexible (static), Robotics (dynamic flexible)
Highly flexible/elastic fibers (bend radius 1–4 mm)	Yes
Adapter end sleeves required	No
Angle of dispersion	60°
Integrated lens	No
Minimal object diameter	0.015 mm ³⁾
Special features	Flexible fiber-optic cable, extra-small, extra-thin end sleeve
Compatibility tip adapters	No

¹⁾ Stainless steel.

²⁾ C = Coaxial, S = Sender, E = Receiver.

³⁾ Minimum detectable object was determined at optimum measuring distance and optimum setting.

Classifications

ECl@ss 5.0	27270905
ECl@ss 5.1.4	27270905

ECI@ss 6.0	27270905
ECI@ss 6.2	27270905
ECI@ss 7.0	27270905
ECI@ss 8.0	27270905
ECI@ss 8.1	27270905
ECI@ss 9.0	27270905
ETIM 5.0	EC002651
ETIM 6.0	EC002651
UNSPSC 16.0901	39121528

Sensing ranges with WLL180T

Operating mode 16 µs	20 mm
Operating mode 70 µs	70 mm
Operating mode 250 µs	110 mm
Operating mode 2 ms	220 mm
Operating mode 8 ms	360 mm

Sensing ranges with GLL170

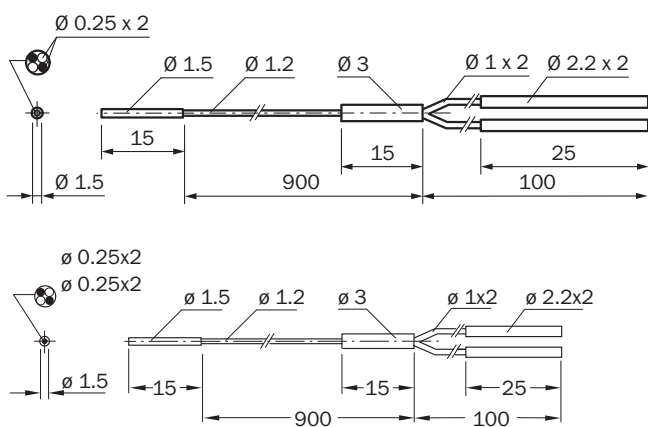
Operating mode 250 µs	20 mm
------------------------------	-------

Sensing ranges with GLL170T

Operating mode 50 µs	30 mm
Operating mode 250 µs	60 mm

Dimensional drawing (Dimensions in mm (inch))

LL3-DR04



SICK AT A GLANCE

SICK is one of the leading manufacturers of intelligent sensors and sensor solutions for industrial applications. A unique range of products and services creates the perfect basis for controlling processes securely and efficiently, protecting individuals from accidents and preventing damage to the environment.

We have extensive experience in a wide range of industries and understand their processes and requirements. With intelligent sensors, we can deliver exactly what our customers need. In application centers in Europe, Asia and North America, system solutions are tested and optimized in accordance with customer specifications. All this makes us a reliable supplier and development partner.

Comprehensive services complete our offering: SICK LifeTime Services provide support throughout the machine life cycle and ensure safety and productivity.

For us, that is “Sensor Intelligence.”

WORLDWIDE PRESENCE:

Contacts and other locations –www.sick.com