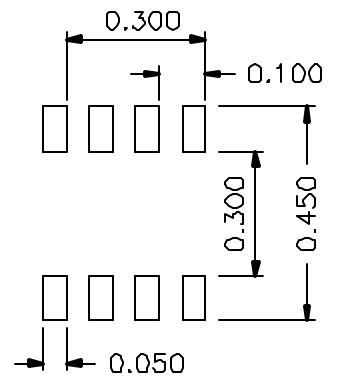
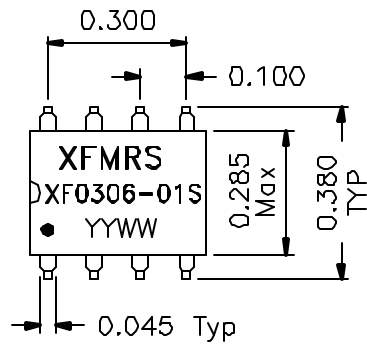
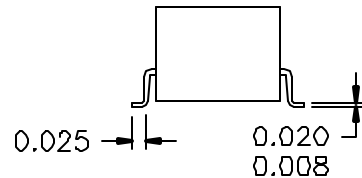
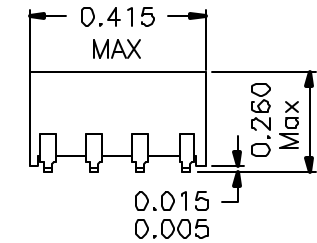
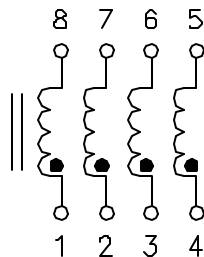


1. Dimensions:



SUGGESTED FOOTPRINT

2. Schematic:



3. Electrical Specifications:

Isolation Voltage: 500 VAC (WINDING TO WINDING)

Turns Ratio: 1:1:1:1

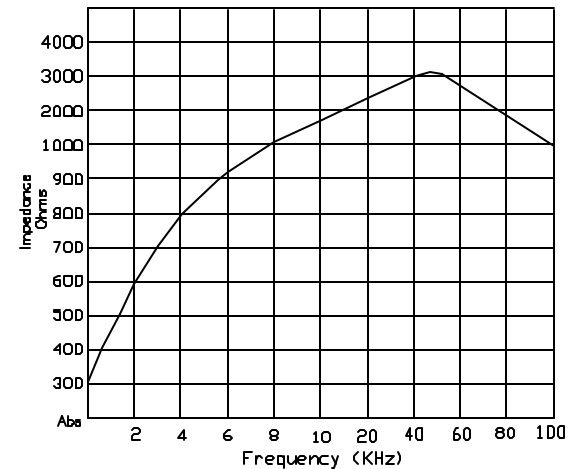
OCL: 30uH Minimum @100KHz 100mV (EACH WINDING)

DC Resistance: 0.25 Ohms TYPICAL

PIN1-8 LL: 0.2uH Max @100KHz 100mV

OTHER WINDINGS SHORTED

Cw/w: 20pF Maximum @100KHz 100mV (Winding TO Winding)



DDC. REV C/2

XFMRS Inc. UNLESS OTHERWISE SPECIFIED TOLERANCES: .xxx ±0.010 Dimensions in Inch SHEET 1 OF 1	Title: COMMON MODE CHOKE	
	P/N: XFO306-01S	REV. C
	DWN. 康玉坤	Aug-10-99
	CHK. 李清儿	Aug-10-99
APP. Joe Huff	Aug-10-99	