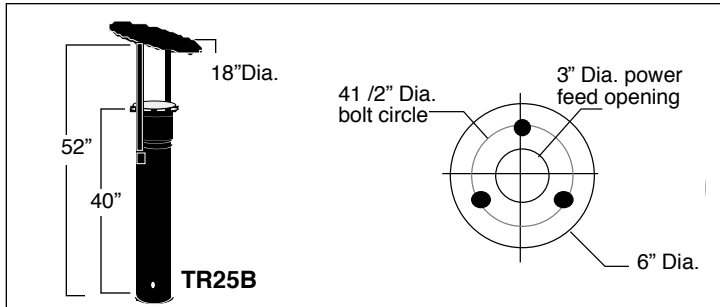


Specification

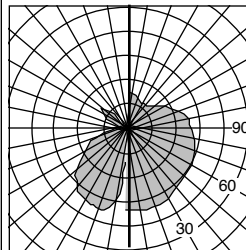
All exposed cast aluminum components are made of non corrosive pure aluminum copper free (Aluminum is less than .1% copper content.#356 alloy.)

Finish: All polyester powder baked coatings preceded with a 5 baths preparation process. Meets military grade MIL-C781706 with a 2000 hours salt spray test.

- Pulse rated porcelain socket or 75W/600V thermoplastic compact fluorescent socket.
 - One-piece molded silicone gasket with memory retention.
 - High power factor CWA ballast. Or 98% P.F.electronic smart ballast with end of life detection for compact fluorescent.
 - All stainless steel hardware.
 - All Moving and removable parts are sealed with a memory retention silicone gasket.
- 1 - 18" dia. x 1/4" thick aluminum disc reflector.
Reflector is standard white enamel on both faces. Optional non reflective face painted same color as the luminaire suffix -RD
 - 2 - Cast aluminum interlocking rotation swivel.
 - 3 - Set of two 1/2" dia . solid aluminum reflector disc supports.
 - 4 - Clear tempered flush mount sealed glass lens,
TR25B with additional high impact acrylic protection top lens.
 - 5 - Cast aluminum base spacer rings.
 - 6 - Set of two cast aluminum side tube holders.
 - 7 - 6" Dia..extruded aluminum tubular bollard stand.
 - 8 - 3/8" thick aluminum base plate.
 - 9 - Semi-specular aluminum reflector for point source lamps.



Photometry



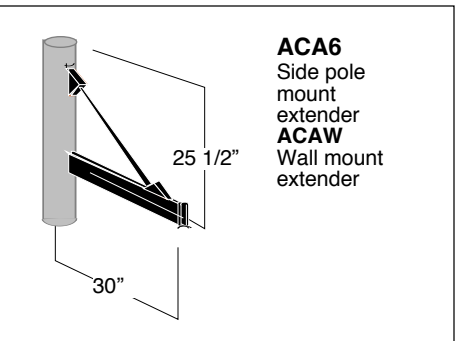
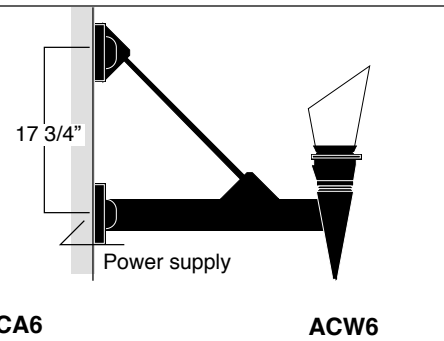
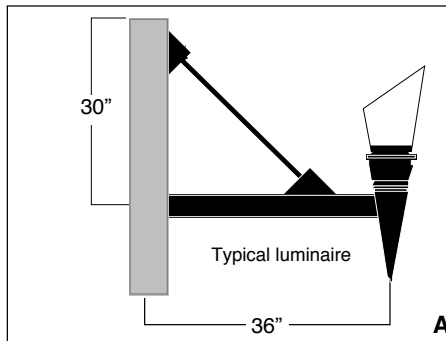
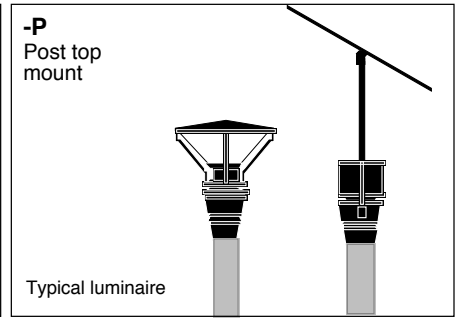
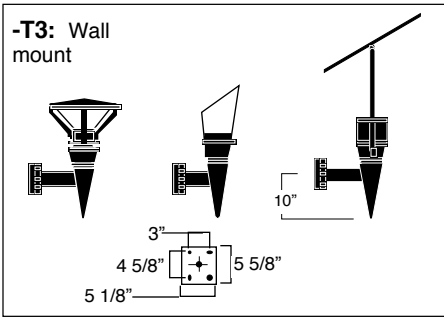
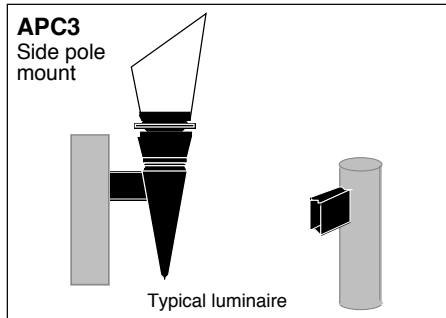
Separate updated technical specification sheets with related models and light sources with I.E.S formatted photometry are available on www.luminis.com.

Certification	Mounting
UL. Wet Location.	Set of (3) 1/2" -13 X12" Lg. galvanized anchor bolts.

For options details and specifications, please refer to pages 103.136 & 137

Model#	Light source selection	Voltage	Finish	Options
<input type="checkbox"/> TR25B60 <input type="checkbox"/> TR25B72 <input type="checkbox"/> TR25B96 <input checked="" type="checkbox"/> TR25B	<div style="display: flex; justify-content: space-between;"> <div> <input checked="" type="checkbox"/> MH (ED17) <input type="checkbox"/> M50 <input type="checkbox"/> M70 <input type="checkbox"/> M100 <input type="checkbox"/> M150 <input type="checkbox"/> M175 </div> <div> <input checked="" type="checkbox"/> MH (G12) T6 <input type="checkbox"/> M39T <input type="checkbox"/> M70T <input type="checkbox"/> M150T </div> </div> <p><input checked="" type="checkbox"/> Max. wattage applicable with TR25B only (Lamps by others)</p>	<p>120 V Standard factory prewired (If no voltage is specified) For other voltages, please specify with catalog number.</p> <div style="display: flex; justify-content: space-between;"> <div> <input checked="" type="checkbox"/> H.I.D. <input type="checkbox"/> 208 V <input type="checkbox"/> 240 V <input type="checkbox"/> 277 V <input type="checkbox"/> 347 V </div> <div> <input type="checkbox"/> H.I.D. G12/T6 <input type="checkbox"/> 120 V <input type="checkbox"/> 277 V </div> </div> <p>Note: 50W.HPS is available with 120/277V only.</p>	<p>(Refer to color chart) Standard selection</p> <input type="checkbox"/> WHT: Snow white <input type="checkbox"/> BKT: Jet black <input type="checkbox"/> BZT: Bronze <input type="checkbox"/> GRT: Titanium gray <input type="checkbox"/> DGT: Gun metal <input type="checkbox"/> CHT: Champagne <input type="checkbox"/> MST: Matte silver <input type="checkbox"/> GNT: Forest green Optional colors <input type="checkbox"/> CS: Custom color <input type="checkbox"/> RAL: RAL# color	<input type="checkbox"/> RD:: Accessories Alternate top face disc color same as luminaire. <input type="checkbox"/> FS: Electrical Fuse <input type="checkbox"/> PH1: 120/277V photo cell. <input type="checkbox"/> PH2: 347V photo cell.

Luminaires may be altered for improvements or discontinued without prior notice.



ACA6 -EPA: 0.8
1" X 3" extruded aluminum side pole arm mount. 4" O.D X 30" lg. post top adaptor with a cast aluminum tenon to fit with a 3 3/4" I.D. pole. 1/2" dia. stainless steel rod support. Extruded arm and all other parts are painted same color as Luminaire.

ACW6- Wall mount version with independent cast aluminum mounting plates.

APC3 -EPA: 0.12
1" X 3" extruded aluminum side pole mounting adaptor. Fits with 4" O.D. pole.

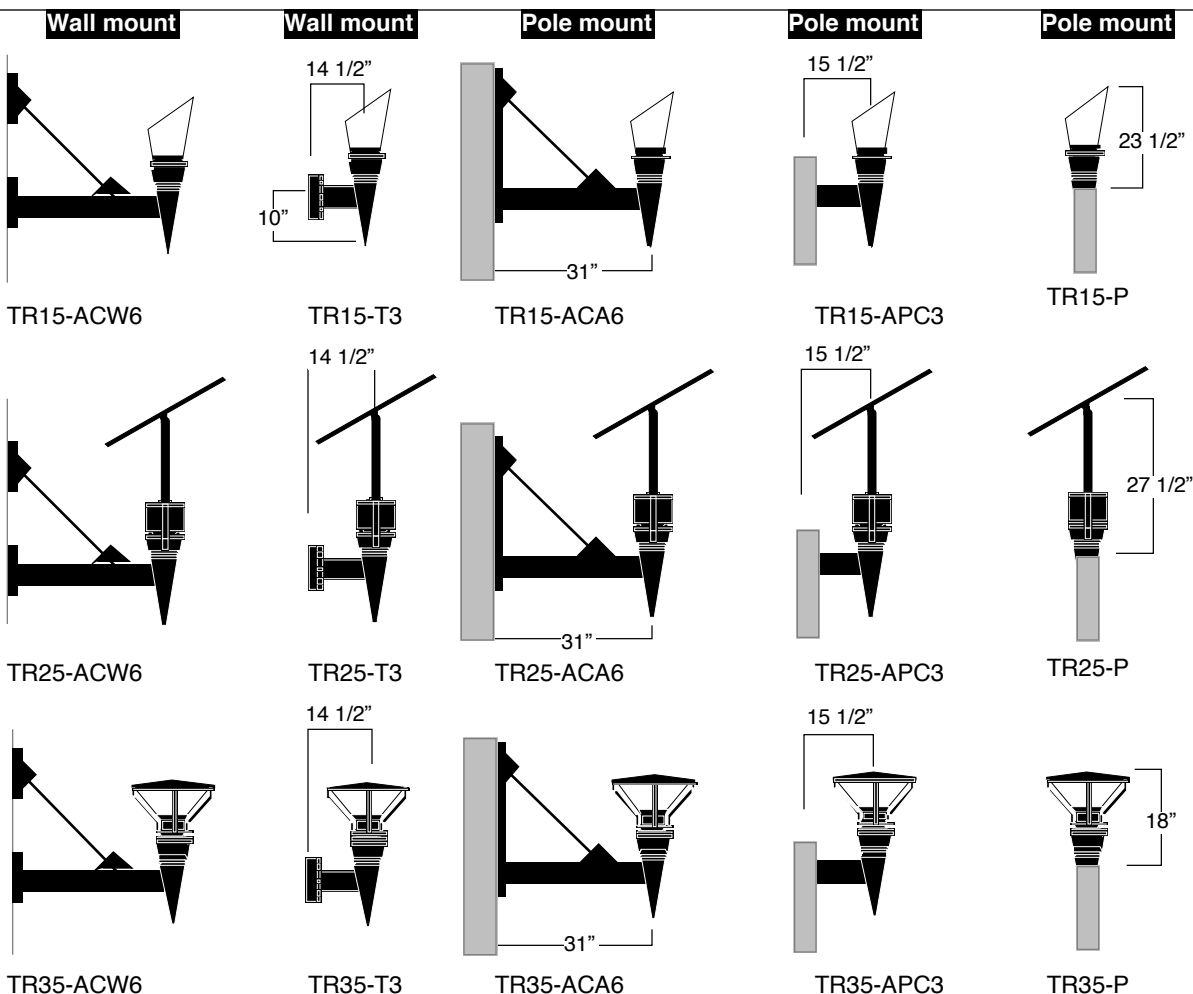
-P
Post top mounting adaptor fits with 4" o.d.x 3 3/4" I.D.pole.

-T3
1" x 3" extruded aluminum wall mounting straight adaptor with cast aluminum cover and galvanized steel mounting plate.

Luminaires may be altered for improvements or discontinued without prior notice.

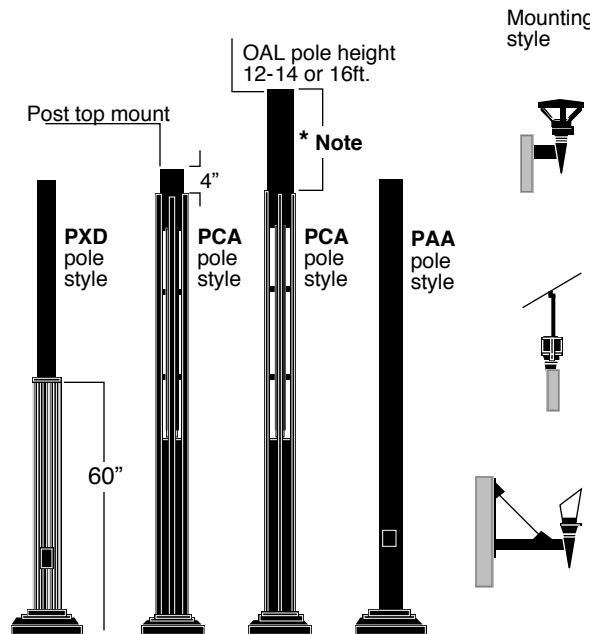
LUMINIS [USA] - 3555 NW 53rd Court, Fort Lauderdale, FL.33309 Tel: 954 .717 .4155 Fax: 954 . 717.4157
LUMINIS [Canada] - 87 C Brunswick D.D.O. Q.C. Canada H9B 2J5 Toll free: 888 .401 .6999

Web: www.luminis.com
Sept. 2006 Rev. June.2007



* Note:
36" extension with ACA6 attachment
24" extension with APC3 attachment

Compatible poles listing.



Post side mount with APC3 attachment accessory				Pole height
4" O.D.	5" O.D.	4" O.D.	4" O.D.	
PAA410-APC	PAA510-APC		PXD10-APC	10 ft
PAA412-APC	PAA512-APC	PCA12-APC	PXD12-APC	12 ft
PAA414-APC	PAA514-APC	PCA14-APC	PXD14-APC	14 ft
PAA416-APC	PAA516-APC	PCA16-APC	PXD16-APC	16 ft
PAA418-APC	PAA518-APC		PXD18-APC	18 ft
PAA420-APC	PAA520-APC		PXD20-APC	20 ft
Post top mounting				
PAA410-A				10 ft
PAA412-A		PCA12-A	PXD12-A	12 ft
PAA414-A		PCA14-A	PXD14-A	14 ft
PAA416-A		PCA16-A	PXD16-A	16 ft
PAA418-A		PCA18-A	PXD18-A	18 ft
PAA420-A			PXD20-A	20 ft
Post side mount with ACA6 attachment accessory				
PAA414-ACA	PAA514-ACA	PCA14-ACA	PXD14-ACA	14 ft
PAA416-ACA	PAA516-ACA	PCA16-ACA	PXD16-ACA	16 ft
PAA418-ACA	PAA518-ACA		PXD18-ACA	18 ft
PAA420-ACA	PAA520-ACA		PXD20-ACA	20 ft

For poles details and specification, please refer to pages 140 to 144

Luminaires may be altered for design improvements or discontinued without prior notice.