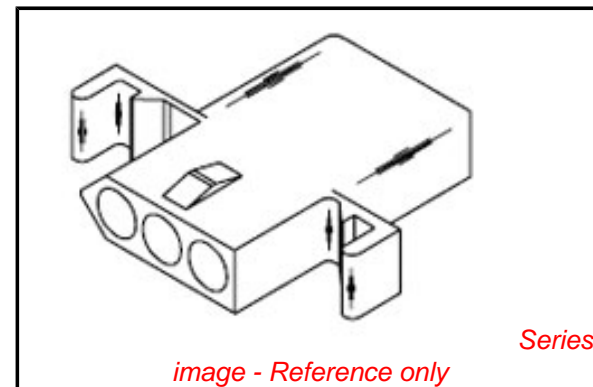


**PLEASE CHECK WWW.MOLEX.COM FOR LATEST PART INFORMATION**

**Part Number:** [0003096032](#)  
**Status:** **Active**  
**Overview:** [standard\\_093](#)  
**Description:** 2.36mm (.093") Diameter Standard .093 Pin and Socket Receptacle Housing, Single Row, without Panel Mount Ears, PA Polyamide Nylon 6/6, UL 94V-2, 3 Circuits, Black

**Documents:**

<a href="#">3D Model</a>	<a href="#">Product Specification PS-02-09 (PDF)</a>
<a href="#">Drawing (PDF)</a>	<a href="#">Product Specification PS-43660-9999 (PDF)</a>
<a href="#">Packaging Specification (PDF)</a>	<a href="#">RoHS Certificate of Compliance (PDF)</a>



**Agency Certification**

CSA	LR19980
UL	E29179

**General**

Product Family	Crimp Housings
Series	<a href="#">1396</a>
Comments	Current = 17A max. per circuit when this receptacle is loaded with either 42477 or 42478 series terminals crimped to 14 AWG wire and mated to a plug loaded with either 42477 or 42478 series terminals crimped to 14 AWG wire.
Overview	<a href="#">standard_093</a>
Product Name	Standard .093"

**Physical**

Circuits (maximum)	3
Color - Resin	Black
Flammability	94V-2
Gender	Dual
Glow-Wire Compliant	No
Lock to Mating Part	Yes
Material - Resin	Nylon
Number of Rows	1
Packaging Type	Bag
Panel Mount	No
Pitch - Mating Interface (in)	0.198 In
Pitch - Mating Interface (mm)	5.03 mm
Polarized to Mating Part	Yes
Stackable	No
Temperature Range - Operating	-40°C to +105°C

**Electrical**

Current - Maximum per Contact	14A, 17A
-------------------------------	----------

**Material Info**

Old Part Number	1396-R1-BK
-----------------	------------

**Reference - Drawing Numbers**

Packaging Specification	PK-1396-001
Product Specification	PS-02-09, PS-43660-9999
Sales Drawing	SD-1396-*

**EU RoHS**

**ELV and RoHS Compliant**  
**REACH SVHC**  
 Not Reviewed  
**Halogen-Free Status**  
 Not Reviewed

**China RoHS**



**Need more information on product environmental compliance?**

Email [productcompliance@molex.com](mailto:productcompliance@molex.com)  
 For a multiple part number RoHS Certificate of Compliance, [click here](#)

Please visit the [Contact Us](#) section for any non-product compliance questions.

**Search Parts in this Series**

[1396Series](#)

**Mates With**

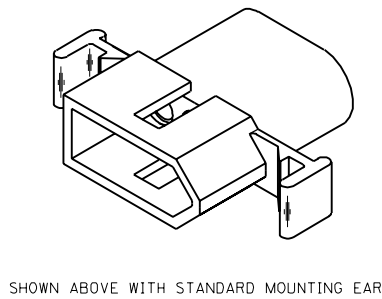
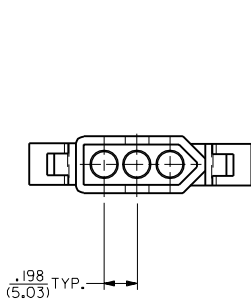
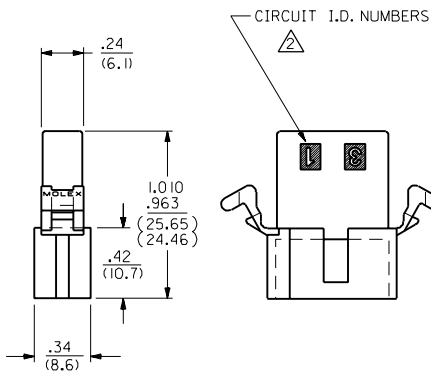
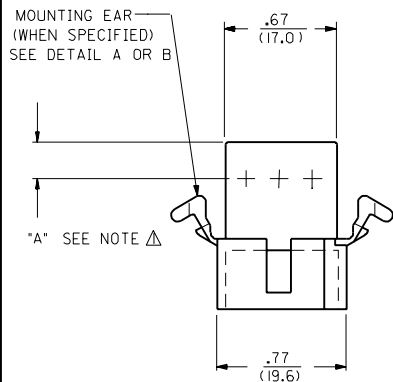
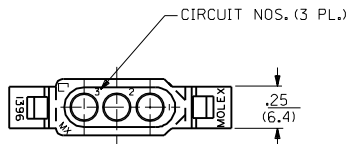
[03-09-7032 Plug](#), [3099 3 Circuit Headers](#)

**Use With**

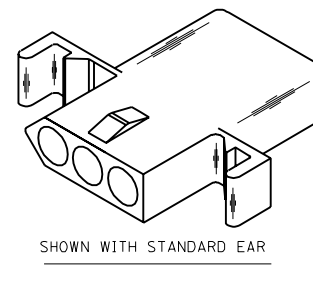
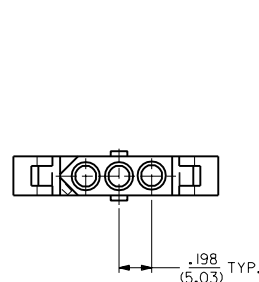
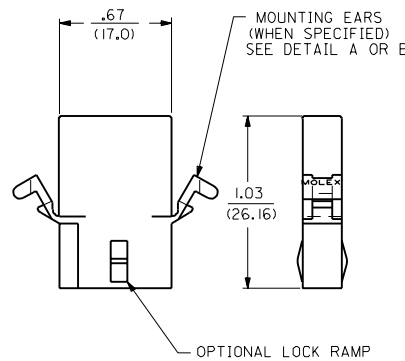
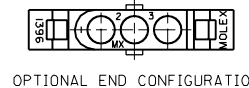
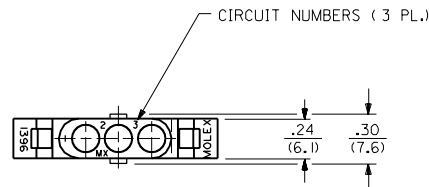
[1973](#), [2151](#), [2273](#), [2870](#), [2871](#), [4272](#), [4550](#), [6271](#), [6310](#), [42477](#), [42478](#), [1189](#), [1190](#), [1376](#), [1377](#), [1380](#), [1381](#), [1433](#), [1434](#)

**PLEASE CHECK [WWW.MOLEX.COM](http://WWW.MOLEX.COM) FOR LATEST PART INFORMATION**

# PLUG



# RECEPTACLE



NOTES:  
 Δ DIMENSION FROM THE BACK OF HOUSING TO THE END OF THE BRUSH ON THE WIRE INSERTED INTO THE HOUSING  
 DIM "A" = .256/6.50 FOR 42477 & 42478 TERMINALS  
 .216/5.49 FOR ALL OTHER .093 TERMINALS  
 DIM "B" = .377/9.58 FOR 42477 & 42478 TERMINALS  
 .337/8.56 FOR ALL OTHER .093 TERMINALS

Y3	REVISED PER UCR2000-05B3 3/1/00 DDB	
Y2	REMOVE -R3, -R5 VER. PER ECR #UG 1479 6-10-96 RW	
Y1	X-REMOVE 1396-R4 ECR U3 1583 GC 10/26/93 RW	
Y	ADD CKT. I.D. #'S PER ECR U3 0683 GC 5/4/93 RW	
X	REV MAT'L SPECS. ECR U2-1491 10-08-92 A.GUZIK	
W1	ADD -D VERSIONS. ECR U1 1106 GC 7/25/91 RW	
W	REVISE ON CAD ECR #UB 1381 JJS 4-24-88 RW	
2	Y2	
1	Y3	
MFG. SH.	REV. LTR.	REVISIONS

DIMENSIONS SHOWN METRIC (INCH) UNLESS OTHERWISE SPECIFIED TOLERANCES ANGULAR ± 1/2°		▽ = 0	▽ = 0	REVISE ONLY ON CAD SYSTEM
INCH	METRIC	TITLE		
3 PLACE ± .010	---	.093/(2.36) HOUSING, PLUG & RECEPTACLE		
2 PLACE ± .014	± 0.25	3 CIRCUIT .198/(5.03) C		
1 PLACE ---	± 0.36	MOLEX INCORPORATED SHEET NO. DATE		
DRAFT WHERE APPLICABLE MUST REMAIN WITHIN DIMENSIONS		L15LEJLL 60532 U.S.A. 1 of 2 4 / 3 / 88		
DRWG. BY JJS	CHKD. BY RW	PART NO. DRWG. NO.		
APP'D. RAS	SCALE 2 : 1	SEE SHEET 2		
FILE NAME S1396.3X1.DWG		SD-1396-•		
THIS DRAWING CONTAINS INFORMATION THAT IS PROPRIETARY TO MOLEX INC. AND SHOULD NOT BE USED WITHOUT WRITTEN PERMISSION.		DIV. SIZE CP C		

13 12 11 10 9 8 7 6 5 4 3 2 1

PLUG		RECEPTACLE	
ORDER NO.	ENG. NO.	ORDER NO.	ENG. NO.
03-09-2031	I396-P	03-09-1031	I396-R
03-09-2032	I396-P1	03-09-1032	I396-R1
03-09-7032	I396-P1BK	03-09-1033	I396-R2
03-09-7031	I396-PBK	03-09-6033	I396-R2BK
PRELIMINARY	I396-P-B	03-09-6032	I396-R1BK
		03-09-6031	I396-RBK
		PRELIMINARY	I396-R-B
		PRELIMINARY	I396-R1-B
		03-09-1081	I396-R4

**LEGEND:**

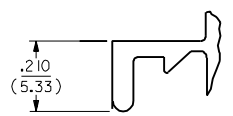
I396-\*\*\*\*\*

P = PLUG  
R = RECEPTACLE

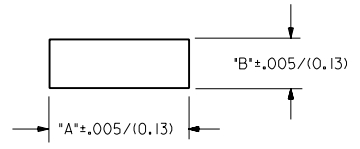
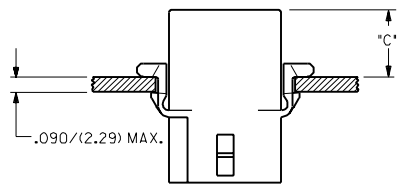
BLANK = WITH STANDARD EARS  
 1 = WITHOUT EARS  
 2 = RECEPTACLE WITHOUT EARS, WITHOUT LOCK RAMP  
 3 = PLUG ONLY, W/ SIDE MOUNT (SEE SD-I396-P3)  
 4 = WITH PREBENT EARS

COLOR: BLANK=NATURAL COLOR  
 AM=AMBER BK=BLACK BU=BLUE  
 BN=BROWN CY=GRAY GN=GREEN  
 OR=ORANGE RD=RED YW=YELLOW

BLANK = NYLON 6/6, 94V-2  
 B = NYLON TYPE 6/6, 94V-2, UV STABILIZED



**DETAIL A**  
STANDARD MOUNTING EAR  
(SCALE 4:1)

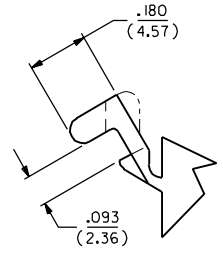
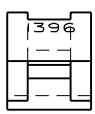


RECOMMENDED PANEL MOUNTING HOLE

HOUSING	DIM. "A"	DIM. "B"	"C" PREBENT EAR	"C" STANDARD EAR
PLUG	.933/(23.70)	.375/(9.53)	.40/(10.2)	.38/(9.7)
RECEPT.	.830/(21.08)	.312/(7.92)	.41/(10.4)	.39/(9.9)

**NOTES:**

- 1. MOLEX PRODUCT SPEC 02-09 APPLIES.
- 2. CIRCUIT I.D. NUMBERS ON SIDE OF HOUSING APPEAR ON PARTS FROM TOOLS BUILT AFTER 5/4/93.



**DETAIL B**  
PREBENT MOUNTING EAR  
(SCALE 4:1)

I396

I396

DIMENSIONS SHOWN (METRIC) INCH		▽ = 0 ▼ = 0		REVISE ONLY ON CAD SYSTEM	
UNLESS OTHERWISE SPECIFIED TOLERANCES ANGLES ARE 1/2°					
INCH		METRIC			
3 PLACE	± .010	---			
2 PLACE	± .014	± 0.25			
1 PLACE	---	± 0.35			
DRAFT WHERE APPLICABLE MUST REMAIN WITHIN DIMENSIONS					
DRWG. BY: JJS	CHK'D. BY: RW	FILE NAME: S13962X2	SCALE: :	THIS DRAWING CONTAINS INFORMATION THAT IS PROPRIETARY TO MOLEX INC. AND SHOULD NOT BE USED WITHOUT WRITTEN PERMISSION.	
LTR. REVISIONS		LTR. REVISIONS		CP C	

TITLE .093/(2.36) HOUSINGS PLUG & RECEPTACLE 3 CIRCUIT .198/(5.03)C			
MOLEX INCORPORATED LITTLE ROCK, ARK. 60532 U.S.A.		SHEET NO. 2 DATE 4/8/88	
PART NO. SEE CHART		DRWG. NO. SD-I396-*	

13 12 11 10 9 8 7 6 5 4 3 2 1