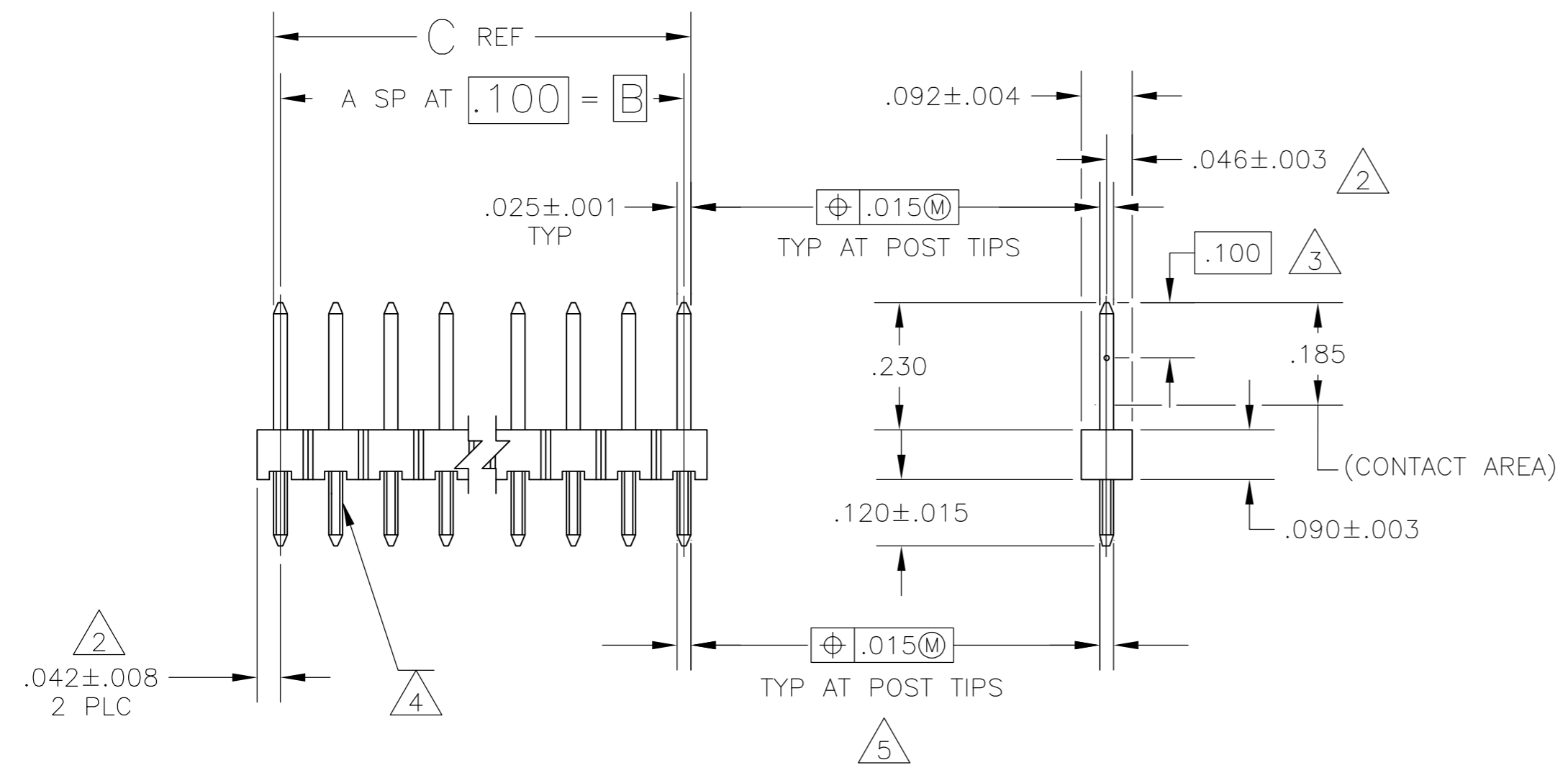
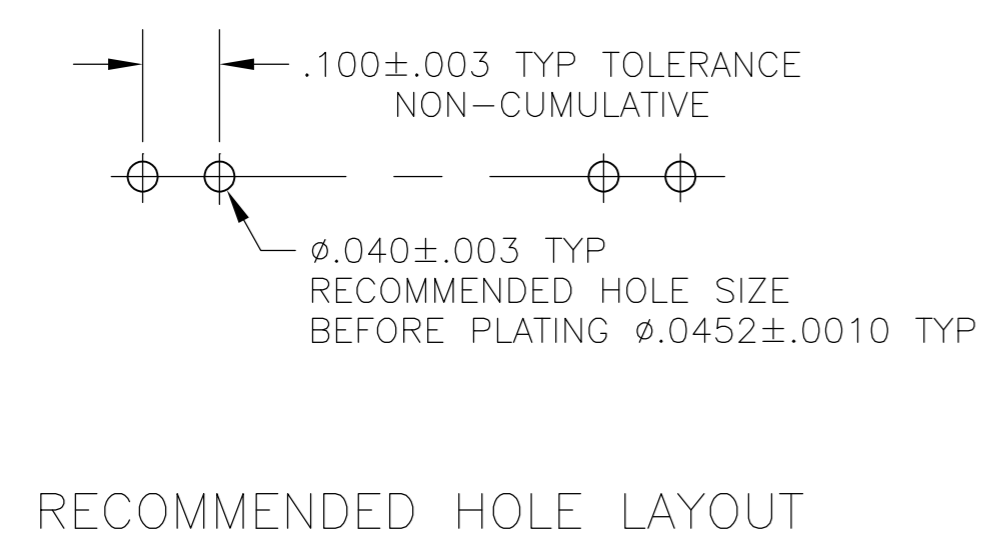


THIS DRAWING IS UNPUBLISHED. RELEASED FOR PUBLICATION  
 © COPYRIGHT - By - ALL RIGHTS RESERVED.

LOC		DIST		REVISIONS			
AD	00	P	LTR	DESCRIPTION	DATE	DWN	APVD
		J2		REVISED PER ECO-11-004820	11MAR11	RK	HMR



1. TRUE POSITION TOLERANCE OF THE POST TIPS APPLIES WHEN THE HEADERS ARE HELD FLAT AGAINST THE PRINTED CIRCUIT BOARD.
2. THE NOTED DIMENSIONS APPLY AT THE INTERSECTION OF THE POST AND THE HOUSING.
3. POINT OF MEASUREMENT FOR PLATING THICKNESS.
4. RETENTION FEATURES ON SOLDER TAILS, LOCATED AT MANUFACTURERS OPTION.
5.  $\varnothing .020\text{M}$  FOR KINKED TAILS.
6. OBSOLETE PARTS: OBSOLETE CIS STREAMLINING PER D.RENAUD/D.SINISI



OBSOLETE 6	3.984	3.900	39	40	2-104345-7
	3.484	3.400	34	35	2-104345-6
	2.984	2.900	29	30	2-104345-5
	2.584	2.500	25	26	2-104345-4
	2.484	2.400	24	25	2-104345-3
	2.384	2.300	23	24	2-104345-2
	2.284	2.200	22	23	2-104345-1
	2.184	2.100	21	22	2-104345-0
	2.084	2.000	20	21	1-104345-9
	1.984	1.900	19	20	1-104345-8
1.884	1.800	18	19	1-104345-7	
1.784	1.700	17	18	1-104345-6	
1.684	1.600	16	17	1-104345-5	
1.584	1.500	15	16	1-104345-4	
1.484	1.400	14	15	1-104345-3	
OBSOLETE 6	1.384	1.300	13	14	1-104345-2
	1.284	1.200	12	13	1-104345-1
	1.184	1.100	11	12	1-104345-0
	1.084	1.000	10	11	104345-9
	.984	.900	9	10	104345-8
OBSOLETE 6	.884	.800	8	9	104345-7
	.784	.700	7	8	104345-6
	.684	.600	6	7	104345-5
	.584	.500	5	6	104345-4
	.484	.400	4	5	104345-3
	.384	.300	3	4	104345-2
	.284	.200	2	3	104345-1
	C	B	A	NO OF POSN	ASSEMBLY PART NUMBER

THIS DRAWING IS A CONTROLLED DOCUMENT.		DWN H MOLL	08FEB88	<b>STE</b> TE Connectivity	
DIMENSIONS: INCHES		CHK R. FEIDT	08FEB88		
TOLERANCES UNLESS OTHERWISE SPECIFIED:		APVD R. FEIDT	08FEB88	NAME HEADER ASSY, MOD II, BREAKAWAY, SINGLE ROW, .100 CL, VERT, .025 SQ POSTS, WITH RETENTION FEATURE	
0 PLC ± - 1 PLC ± - 2 PLC ± - 3 PLC ± .005 4 PLC ± - ANGLES ± -		PRODUCT SPEC		SIZE A2	CAGE CODE 00779
MATERIAL HOUSING: FLAME RETARDANT THERMOPLASTIC COLOR-BLACK POST: PHOSPHOR BRONZE		APPLICATION SPEC		DRAWING NO C=104345	RESTRICTED TO
FINISH - POST: .000015 GOLD IN CONTACT AREA, .000100-.000200 MATTE TIN-LEAD ON SOLDER TAIL, ALL OVER .000050 NICKEL.		WEIGHT	-	SCALE 4:1	SHEET 1 of 1
CUSTOMER DRAWING				REV J2	