



ScotchPad™

Premium Hang Tabs

1072 • 1074 • 1075 • 1076

Technical Data

January 2018

Product Description 3M™ ScotchPad™ Hang Tabs are designed to stick to a product surface and to then hang that product from a peg for display purposes.

The 3M™ ScotchPad™ Hang Tabs 1074, 1075 and 1076 are composed of a 3M™ Scotchpar™ polyester that is the most abrasion resistant backing with the most consistent pressure sensitive hot melt adhesive system available and is laminated to a thick polyester top in which a hole is punched for the peg. These pre-cut tabs are prestacked 10 high in convenient pads for easy manual application and portability. They are handy for hanging shrink-wrapped packages as well as for in-store repair of damaged packaging. Because the whole tab is not rigid, the tab can be applied before case packing a product and will stay folded down until it is unpacked and hung up.

3M™ ScotchPad™ Hang Tab 1072 is composed of a clear, abrasion resistance co-polyester backing with a pressure sensitive hot melt adhesive system and an easy release coated paper liner. The single unit format J-hook tabs are designed for portability and manual application to shrink-wrapped packages as well as for in-store repair of damaged packaging.

Construction	Backing:	ScotchPad hang tab 1072 ScotchPad hang tabs 1074/1075/1076	Co-polyester film Biaxially oriented 3M™ Scotchpar™ polyester film
	Adhesive:	ScotchPad hang tab 1072 ScotchPad hang tabs 1074/1075/1076	Pressure sensitive rubber-resin adhesive Pressure sensitive hot melt rubber-resin
	Release Liner:	ScotchPad hang tab 1072	Blue paper, one side release coated
	Header Laminate:	ScotchPad hang tabs 1074/1075/1076	Copolyester PETG
	Holes:	ScotchPad hang tabs 1074 and 1076 ScotchPad hang tab 1075 ScotchPad hang tab 1072	Round – works with single pegs Delta – works with double pegs J-hook – works with single or double pegs

3M™ ScotchPad™

Premium Hang Tabs

1072 • 1074 • 1075 • 1076

Typical Physical Properties

Note: The following technical information and data should be considered representative or typical only, and should not be used for specification purposes.


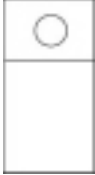
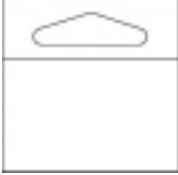

3M™ ScotchPad™ Hang Tab 1072		ASTM Test Method
Adhesion to Steel:	175 oz./in. width (192 N/100 mm width)	PSTC-003
Tensile Strength:		
Machine Direction:	7300 lbs./in. ² (513 kgf/cm ²)	D-882
Tensile Modulus:		
Machine Direction:	250,000 lbs./in. ² (17,575 kgf/cm ²)	D-882
Elongation at Break:	300%	D-882
Thickness - Backing:	20.0 mil (0.508 mm)	D-3652
Total (excl. liner):	25.8 mil (0.655 mm)	D-3652
Shear, Static:	>30 hours (1.0 sq. in., 2.2 lb. @ 120°F [49°C])	PSTC-7C

3M™ ScotchPad™ Hang Tabs 1074/1075/1076		ASTM Test Method
Adhesion to Steel:	78 oz./in. width (60 N/100 mm width)	D-3330
Tensile Strength:		
Machine Direction:	67 lbs./in. width (788 N/100 mm width)	D-3759
Cross Direction:	69 lbs./in. width (1138 N/100 mm width)	D-3759
Elongation at Break:	130%	D-3759
Thickness Laminate:	10.0 mil (0.254 mm)	D-3652
Thickness - Backing:	2.0 mil (0.051 mm)	D-3652
Total:	3.5 mil (0.089 mm)	D-3652
Total Hang Tab (Top):	13.5 mil (0.343)	D-3652
Holding Power to Fiberboard:	14,000 + minutes	D-3654

Features

- Adheres instantly to shrink-wrapped packages, cartons, and product surfaces.
- Strong abrasion, edge tear and split resistant backing.
- ScotchPad hang tabs 1074/1075/1076 have bendable tabs.
- Hold products out where they are easy to see.
- Strong film edge resists tearing and ripping of these hang tabs.
- Stiff polyester header gives clean product display.
- Clear tape does not obscure graphics.

Available Sizes

			
J-hook ScotchPad hang tab 1072 1 pad	Round hole ScotchPad hang tab 1074 1 in. x 2 in. 10 per pad	Delta hole ScotchPad hang tab 1075 2 in. x 2 in. 10 per pad	Round hole ScotchPad hang tab 1076 2 in. x 2 in. 10 per pad

3M™ ScotchPad™

Premium Hang Tabs

1072 • 1074 • 1075 • 1076

Application Techniques Application of 3M™ ScotchPad™ Hang Tabs is most easily accomplished at room temperature because at colder temperatures, approaching 32°F (0°C), the adhesive becomes firmer. Once applied, the ScotchPad hang tabs will perform well throughout the normal temperature ranges typically encountered by packaged products in shipping and storage environments to a surface that allows a straight vertical position with no peel. Unless testing is done to confirm a ScotchPad hang tab will hold a heavier product, 3/4 lb. or less is the recommended weight unit. Some well-balanced three pound products have been displayed using two ScotchPad hang tabs placed on one object in opposing placement. Pre-testing is advised. Three ScotchPad 1074/1075/1076 hang tabs can be used to hold thick flat samples in a 3-ring binder. Because the whole tab is not rigid, they can also be pre-applied to products and folded down before shipping thus eliminating excessive shipping bulk. Some manufacturers pack extra pads in with product so the retailer can repair broken or damaged package chipboard headers thus reducing profit-stealing unsellables.

Storage Conditions Store in a clean dry place. Temperature of 40-80°F (4-26°C) and 40 to 50% relative humidity are recommended.

For Additional Information To request additional product information or to arrange for sales assistance, call toll free 1-800-362-3550 or visit www.3M.com/packaging. Address correspondence to: 3M Industrial Adhesives and Tapes Division, Building 21-1W-10, 900 Bush Avenue, St. Paul, MN 55144-1000. Our fax number is 651-778-4244. In Canada, phone: 1-800-364-3577. In Puerto Rico, phone: 1-787-750-3000. In Mexico, phone: 52-70-04-00.

3M™ ScotchPad™

Premium Hang Tabs

1072 • 1074 • 1075 • 1076

Technical Information

The technical information, guidance, and other statements contained in this document or otherwise provided by 3M are based upon records, tests, or experience that 3M believes to be reliable, but the accuracy, completeness, and representative nature of such information is not guaranteed. Such information is intended for people with knowledge and technical skills sufficient to assess and apply their own informed judgment to the information. No license under any 3M or third party intellectual property rights is granted or implied with this information.

Product Selection and Use

Many factors beyond 3M's control and uniquely within user's knowledge and control can affect the use and performance of a 3M product in a particular application. As a result, customer is solely responsible for evaluating the product and determining whether it is appropriate and suitable for customer's application, including conducting a workplace hazard assessment and reviewing all applicable regulations and standards (e.g., OSHA, ANSI, etc.). Failure to properly evaluate, select, and use a 3M product and appropriate safety products, or to meet all applicable safety regulations, may result in injury, sickness, death, and/or harm to property.

Warranty, Limited Remedy, and Disclaimer

Unless a different warranty is specifically stated on the applicable 3M product packaging or product literature (in which case such warranty governs), 3M warrants that each 3M product meets the applicable 3M product specification at the time 3M ships the product. 3M MAKES NO OTHER WARRANTIES OR CONDITIONS, EXPRESS OR IMPLIED, INCLUDING, BUT NOT LIMITED TO, ANY IMPLIED WARRANTY OR CONDITION OF MERCHANTABILITY, FITNESS FOR A PARTICULAR PURPOSE, OR ARISING OUT OF A COURSE OF DEALING, CUSTOM, OR USAGE OF TRADE. If a 3M product does not conform to this warranty, then the sole and exclusive remedy is, at 3M's option, replacement of the 3M product or refund of the purchase price.

Limitation of Liability

Except for the limited remedy stated above, and except to the extent prohibited by law, 3M will not be liable for any loss or damage arising from or related to the 3M product, whether direct, indirect, special, incidental, or consequential (including, but not limited to, lost profits or business opportunity), regardless of the legal or equitable theory asserted, including, but not limited to, warranty, contract, negligence, or strict liability.



This Industrial Adhesives and Tapes Division product was manufactured under a 3M quality system registered to ISO 9001 standards.

3M
Industrial Adhesives and Tapes Division
3M Center, Building 225-3S-06
St. Paul, MN 55144-1000

Printed in U.S.A.
©3M 2018 E 70-0710-0247-4 (2/18)