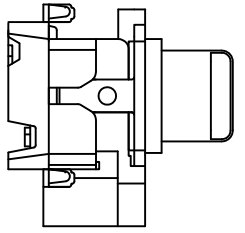
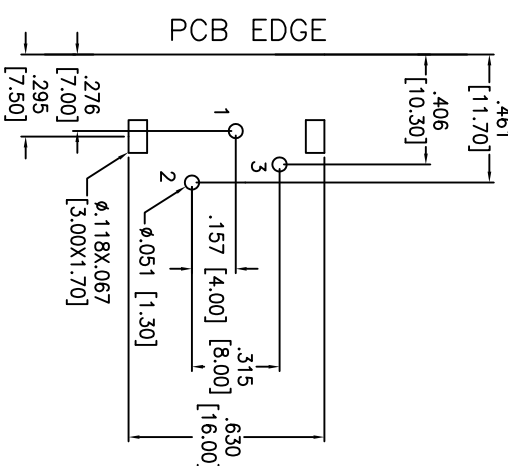
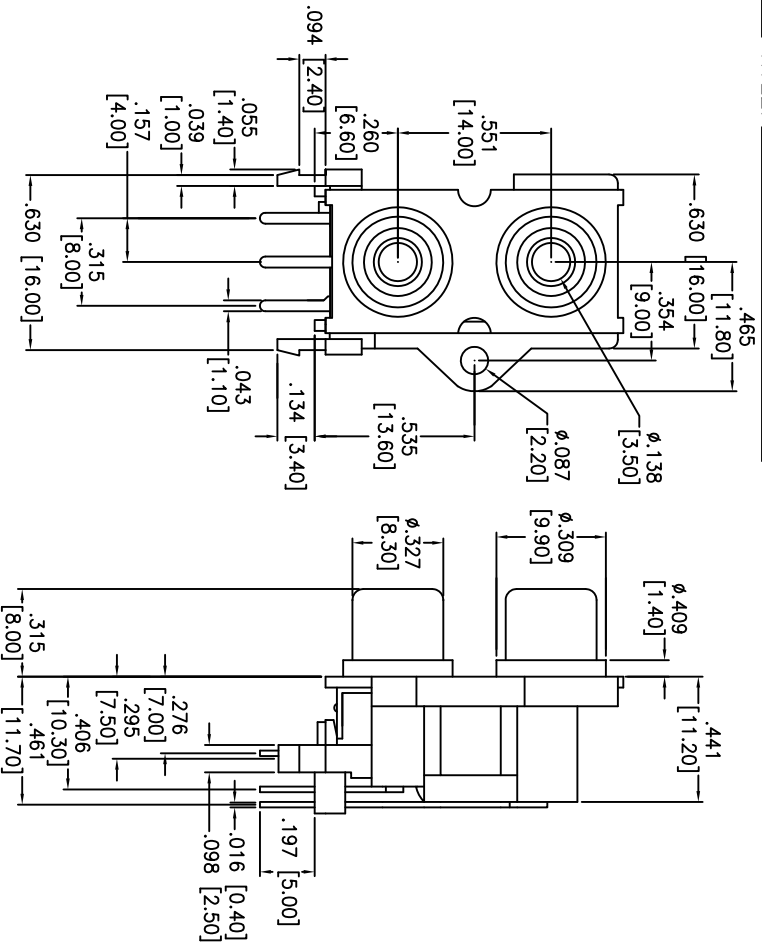


Rev	AWO #	Description	Date	Appr
-		RELEASED	12/02/09	

APPROVED: \_\_\_\_\_

DATE: \_\_\_\_\_ TITLE: \_\_\_\_\_



SCHEMATIC	
TOP	1
BOTTOM	1
	2
	3

ADAM P/N	A	B
RCA-8-1-W/R	WHITE	RED
RCA-8-1-R/W	RED	WHITE
RCA-8-1-Y/Y	YELLOW	YELLOW
RCA-8-1-B/B	BLACK	BLACK

JACKS A AND B CAN BE ANY COMBINATION OF AVAILABLE COLORS

**SPECIFICATIONS:**

- Material: \_\_\_\_\_
- Housing: ABS, color White
- Top cover: ABS, color Black
- Ring: PBT, color Red, White, Yellow, Black
- Terminal: Brass, Tin plated
- Barrel: Brass, Nickel plated
- Electrical: \_\_\_\_\_
- Operation voltage: 30V DC max.
- Current rating: 1 Amp max
- Contact resistance: 50 mohms max.
- Insulation resistance: 100 Mohms min
- Dielectric withstanding voltage: 500 VAC for 1 minute
- Temperature rating: \_\_\_\_\_
- Operating temperature: -25°C to +80°C
- Environmental: \_\_\_\_\_
- Lead free, RoHS compliant.
- Recommended soldering temp: 235°C for 5 sec.
- Packaging: \_\_\_\_\_
- Anti-ESD plastic bags



**ADAM TECH**

909 Railway Avenue, Union, NJ 07083  
 Phone: 908-687-5000 Fax: 908-687-5710

RCA JACK, 2 PORTS, GANGED

UNLESS OTHERWISE SPECIFIED ALL DIMENSIONS ARE INCHES [MM]		TOLERANCES: EXCEPT AS NOTED	
.X	± .10	ØX	± .10
.XX	± .020	ØXXX	± .015
.XXX	± .015	ØXXX	± .010
APPROVALS		DATE	
DRAWN	_____	DATE	12/02/09
CHECKED	_____		
APPROVED	_____		
SIZE	PART NO.	SCALE	SHEET 1 OF 1
X	RCA-8-1-X/X	SCALE: NTS	
REV.			