

PLEASE CHECK WWW.MOLEX.COM FOR LATEST PART INFORMATION

Part Number: [0643211101](#)
Status: **Active**
Overview: [cmc connectors](#)
Description: CMC Wire Cap for 53 Circuits, CMC Receptacle Mat Sealed

Documents:

[3D Model](#) [Product Specification PS-64321-001 \(PDF\)](#)
[Application Specification \(PDF\)](#) [RoHS Certificate of Compliance \(PDF\)](#)
[Drawing \(PDF\)](#)

General

Product Family	Crimp Housings
Series	64321
Comments	For left and right wire output
More Detailed Tech Information	Wire cap guides the wires from the connector either to the right or to the left
Overview	cmc connectors
Product Name	CMC

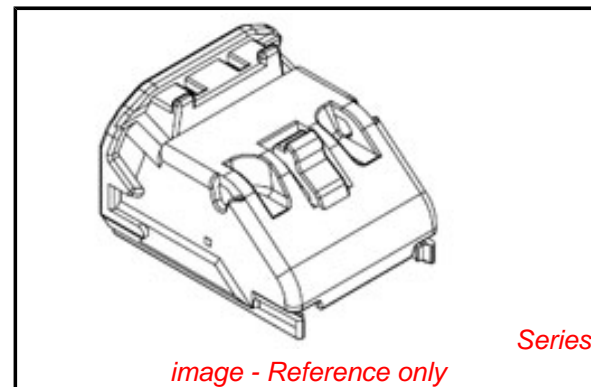
Physical

Circuits (maximum)	53
Circuits Detail	Wire Cap for 53 circuit Receptacle
Color - Resin	Black
Gender	N/A
Glow-Wire Compliant	No
Keying to Mating Part	N/A
Lock to Mating Part	Yes
Material - Resin	Polyester
Number of Rows	0
Packaging Type	Carton
Panel Mount	No
Pitch - Mating Interface (in)	0.000 In
Pitch - Mating Interface (mm)	0.00 mm
Polarized to Mating Part	N/A
Stackable	No
Temperature Range - Operating	-40°C to +125°C

Material Info

Reference - Drawing Numbers

Application Specification	AS-64321-001
Product Specification	PS-64321-001
Sales Drawing	SD-64321-002



EU RoHS

ELV and RoHS Compliant
REACH SVHC
Contains SVHC: No
Halogen-Free Status

China RoHS



Need more information on product environmental compliance?

Email productcompliance@molex.com
 For a multiple part number RoHS Certificate of Compliance, [click here](#)

Please visit the [Contact Us](#) section for any non-product compliance questions.

Search Parts in this Series

[64321Series](#)

Mates With

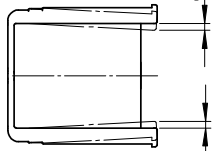
[64321](#) CMC Connector 53 Circuit

Use With

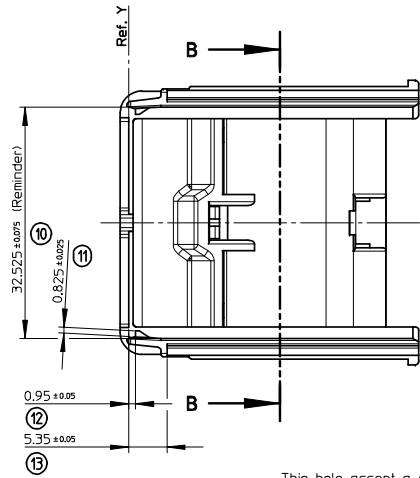
CMC Receptacle 53 Circuit [64321](#)

BOW ALLOWED

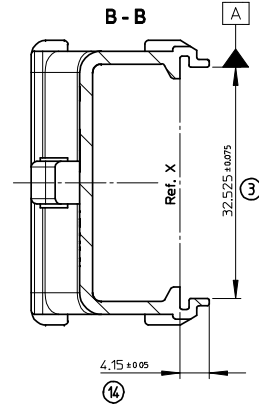
1:1



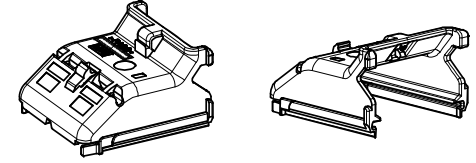
0.3 Max. allowed



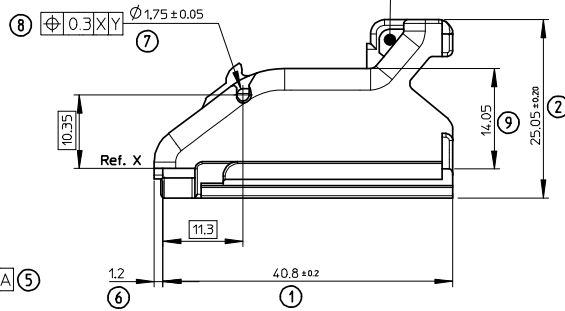
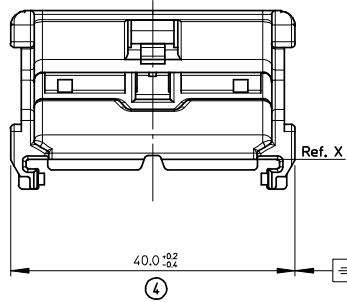
B - B



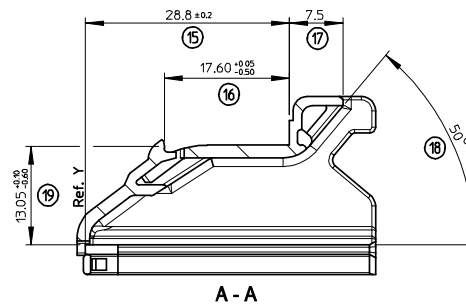
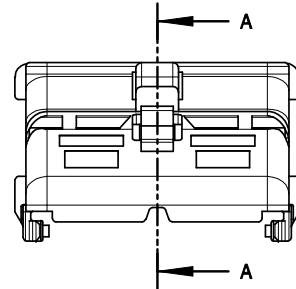
ISOMETRIC VIEWS



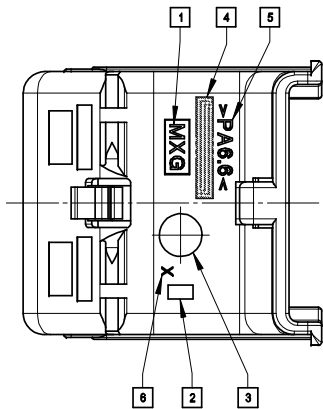
1:1



This hole accept a cable-tie with a maximum section: 3.2 x 1.2mm



A - A



MARKINGS:

- 1 - Supplier Acronym: MXG
- 2 - Revision Level
- 3 - Datum Month/Year
- 4 - Molex Area.
- 5 - Material
- 6 - Preint Identification N°

NOTES:

- 1 -Material: >PA6< , Color: Black, Spec.: Heat Stabilized.
- 2 -Delivered Product Weight: 6.000 g
- 3 -Related Counterpart: Female Connector CMC 53 Ways.

<p>GENERIC DWG</p> <p>EC NO: GZ008-0442</p> <p>DRWNG: GDESBRUERES 2008/05/13</p> <p>CHKD: O.PLESSIS 2008/05/13</p> <p>APPR: L.STICKEIR 2008/05/16</p>	<p>QUALITY SYMBOLS</p> <p>▽=0</p> <p>▽=0</p>	<p>GENERAL TOLERANCES (UNLESS SPECIFIED)</p>		<p>DIMENSION STYLE</p> <p>MM ONLY</p>	<p>SCALE</p> <p>2:1</p>	<p>DESIGN UNITS</p> <p>METRIC</p>	<p>FIRST ANGLE PROJECTION</p>
		<p>4 PLACES ± --- ± ---</p> <p>3 PLACES ± --- ± ---</p> <p>2 PLACES ± 0.1 ± ---</p> <p>1 PLACE ± 0.1 ± ---</p> <p>ANGULAR ± 2 °</p>	<p>mm</p> <p>INCH</p>	<p>DRAWN BY</p> <p>G. DESBRUERES 2008/04/22</p> <p>CHECKED BY</p> <p>O.PLESSIS 2008/04/22</p> <p>APPROVED BY</p> <p>L. STICKEIR 2008/04/23</p>	<p>DATE</p> <p>2008/04/22</p> <p>2008/04/22</p> <p>2008/04/23</p>	<p>TITLE</p> <p>WIRE CAP</p> <p>CMC 53W</p>	<p>MATERIAL NO.</p> <p>0643211101</p>
<p>DRAFT WHERE APPLICABLE MUST REMAIN WITHIN DIMENSIONS</p>		<p>THIS DRAWING CONTAINS INFORMATION THAT IS PROPRIETARY TO MOLEX INCORPORATED AND SHOULD NOT BE USED WITHOUT WRITTEN PERMISSION</p>					