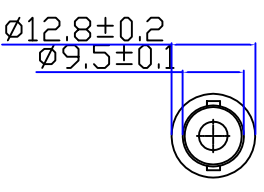
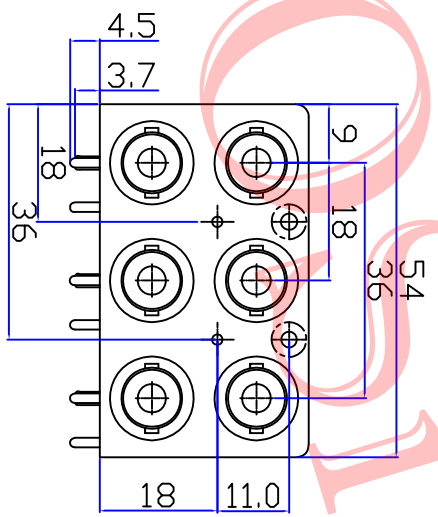
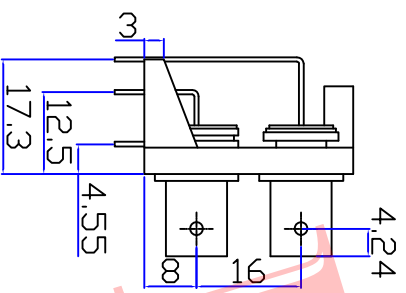
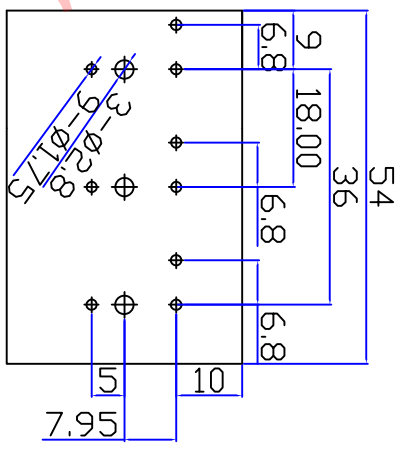
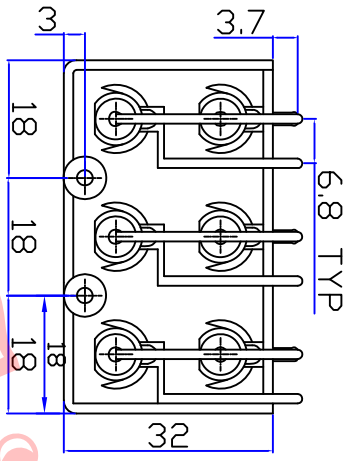
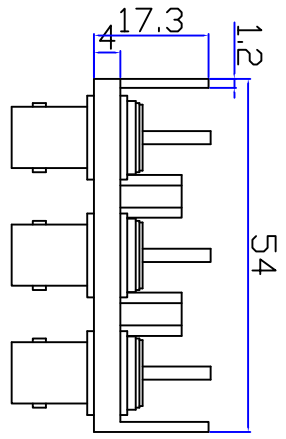




Product NO.		DOSIN-801-0016		
REV	DESCRIPTION	DWN	DATE	APPROVEN
A	First Issue	Mr. Wang	2015/07/03	John Kine
B				



1	Body	Zinc	Nickel	6	NOTE: DRAWN Zelin. Zhang CHECKED	Tolerance 0-6 ±0.15 6-30 ±0.20 30-120 ±0.30 Angular ±5°	View 	UNIT MM	SCALE 1:1	Date/Time 2015/07/03	Product NO. DOSIN-801-0016	CAD FILE H/company drawings/BD	SHEET: 1 OF 1	REV A
2	Insulator	POM	White	6										
3	Center contact	Brass	Nickel	6										
4	PANEL	ABS	BLACK	1										
5	IRON PLATES	IRON	Nickel	1										
6	SOLDER COLUMN	IRON	Nickel	6										
7														
8														
9														
10	Component Number	Material	Finish	QTY										

DOSIN *Dosin Industrial (Hk) Co, Ltd*
 东莞市德泰五金电子有限公司
Dosin Hardware Electronics Co, Ltd
 Name: BNC 2X3 CONNECTOR
 E-mail: dosin2005@163.com
 dosin2005@dosing-china.com
 Web: http://www.dosing.com
 TEL: (0086) 769-81153906
 FAX: (0086) 769-81878836