

PLEASE CHECK WWW.MOLEX.COM FOR LATEST PART INFORMATION

Part Number: [0878980866](#)
Status: **Active**
Overview: [kk](#)
Description: 2.54mm (.100") Pitch KK® Header, Surface Mount, Breakaway, Vertical, 8 Circuits, 2.50µm (98µ") Tin (Sn) Plating, Tube Packaging, without Cap, Lead-free

Documents:

[Drawing \(PDF\)](#) [RoHS Certificate of Compliance \(PDF\)](#)
[Product Specification PS-87920-019 \(PDF\)](#)

General

Product Family PCB Headers
 Series [87898](#)
 Application Board-to-Board, Wire-to-Board
 Overview [kk](#)
 Product Name KK®

Physical

Breakaway Yes
 Circuits (Loaded) 8
 Circuits (maximum) 8
 Color - Resin Black
 First Mate / Last Break No
 Glow-Wire Compliant No
 Guide to Mating Part No
 Keying to Mating Part None
 Lock to Mating Part None
 Material - Metal Copper Alloy
 Material - Plating Mating Tin
 Material - Plating Termination Tin
 Material - Resin Nylon
 Number of Rows 1
 Orientation Vertical
 PCB Locator No
 PCB Retention None
 Packaging Type Tube
 Pitch - Mating Interface (in) 0.100 In
 Pitch - Mating Interface (mm) 2.54 mm
 Pitch - Term. Interface (in) 0.100 In
 Pitch - Term. Interface (mm) 2.54 mm
 Polarized to Mating Part No
 Polarized to PCB No
 Robotic Placement None
 Shrouded No
 Stackable No
 Temperature Range - Operating -55°C to +105°C
 Termination Interface: Style Surface Mount

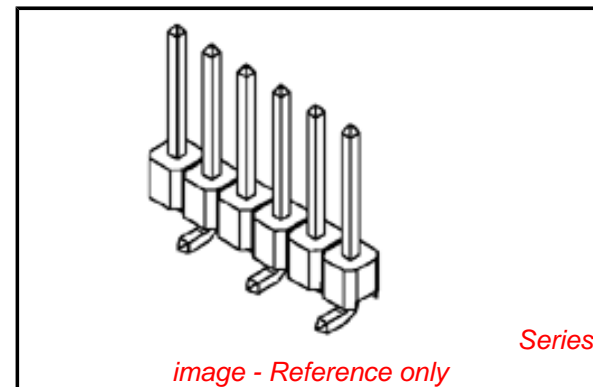
Electrical

Current - Maximum per Contact 3A
 Voltage - Maximum 250V

Material Info

Reference - Drawing Numbers

Packaging Specification PK-89990-545
 Product Specification PS-87920-019



EU RoHS

**ELV and RoHS
 Compliant**
**REACH SVHC
 Not Reviewed**
**Halogen-Free
 Status**

China RoHS



**Need more information on product
 environmental compliance?**

Email productcompliance@molex.com
 For a multiple part number RoHS Certificate of Compliance, [click here](#)

Please visit the [Contact Us](#) section for any non-product compliance questions.

Search Parts in this Series

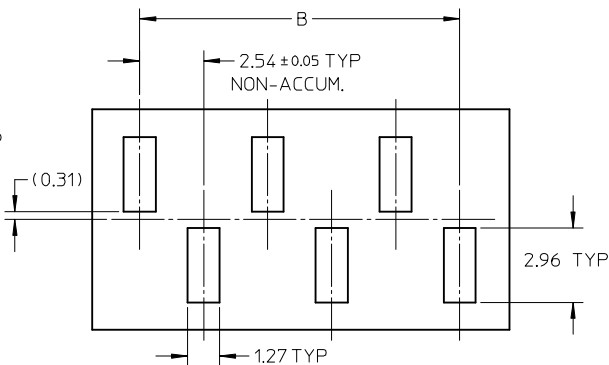
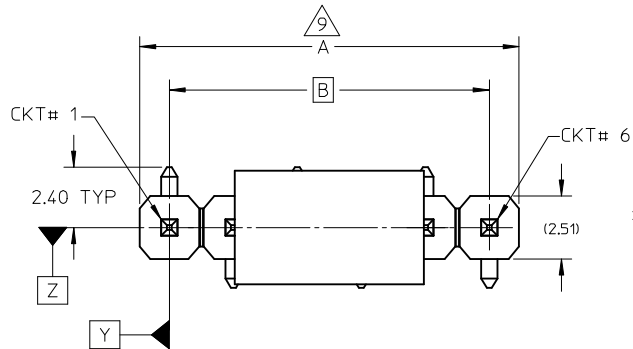
[87898Series](#)

Mates With

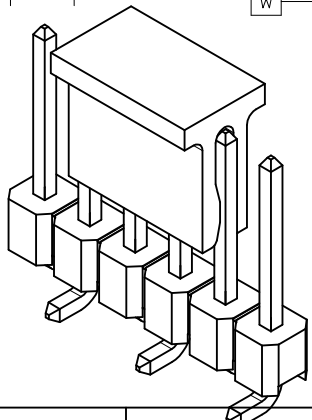
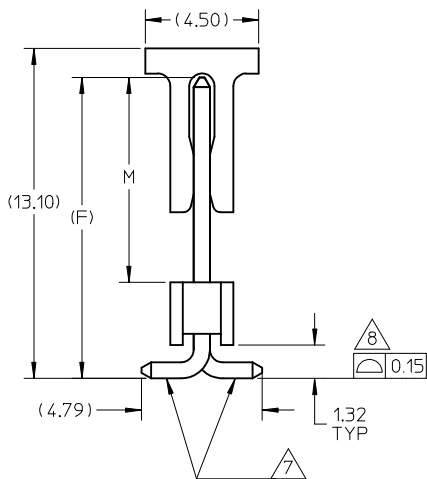
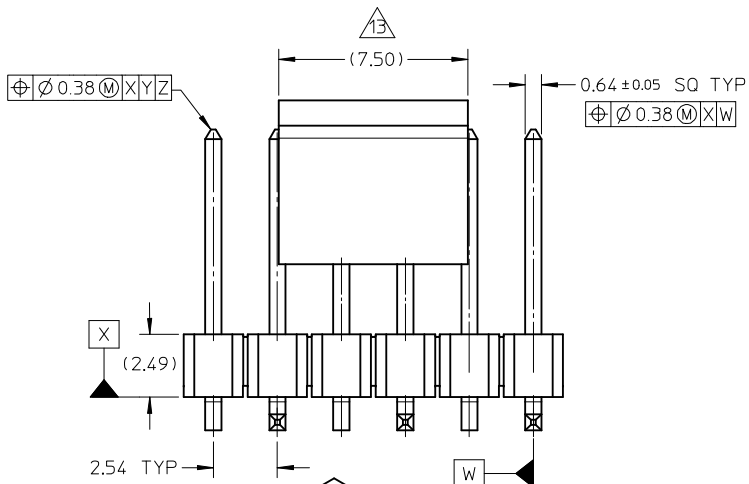
KK® PCB Receptacles [4455](#). SL™ IDT Housings [70430](#) , [7720](#), [70400](#). C-Grid® PCB Receptacles [90147](#), [90148](#)

This document was generated on 05/25/2010

PLEASE CHECK WWW.MOLEX.COM FOR LATEST PART INFORMATION



RECOMMENDED PCB LAYOUT

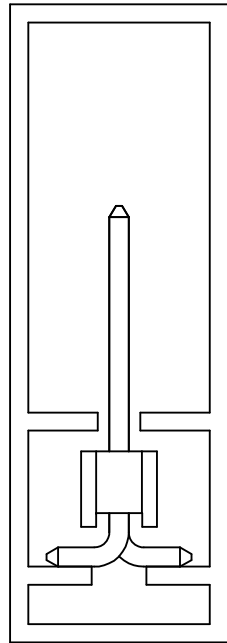


NOTES:

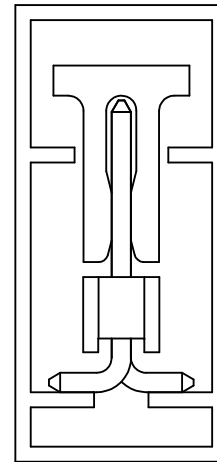
1. MATERIAL:
HSG: NYLON, GLASS-FILLED, UL94V-0, COLOR: BLACK
PIN: 0.64MM SQ, COPPER ALLOY
2. PLATING TYPE:
(1) GOLD FLASH OVER
1.25µm MIN. NICKEL OVERALL.
(2) GOLD FLASH ON CONTACT AND
2.50µm MIN. TIN ON SOLDER TAIL OVER
1.25µm MIN. NICKEL OVERALL.
(4) 0.38µm MIN. GOLD PLATE ON CONTACT AND
2.00µm MIN. TIN ON SOLDER TAIL OVER
1.25µm MIN. NICKEL OVERALL.
(5) 0.75µm MIN. GOLD PLATE ON CONTACT AND
2.00µm MIN. TIN ON SOLDER TAIL OVER
1.25µm MIN. NICKEL OVERALL.
(6) 2.50µm MIN. TIN OVERALL
1.25µm MIN. NICKEL OVERALL
3. PRODUCT SPECIFICATION: PS-87920-019
4. PACKAGING TYPE: SEE TABLE
5. PACKAGING SPEC: PK-89990-545
6. WAFER TO BE FLAT WITHIN 0.003 mm/mm
7. BEND DEPRESSION IS ACCEPTED SO LONG AS IT DOES NOT AFFECT THE OVERALL COPLANARITY OF TAIL
8. COPLANARITY IS TO BE MEASURED BY RESTING THE SOLDER TAIL ON A FLAT SURFACE
9. IRREGULAR CIRCUIT CUTOFF WITHIN BREAKAWAY SECTION IS PERMISSIBLE. CUTTING OR CHIPPING OF THE MAIN BODY IS NOT ACCEPTABLE
10. TUBE LENGTH AS PER STANDARD 560mm
11. RECOMMENDED PCB THICKNESS IS 1.60mm ± 0.10
12. THE ABOVE CKT 6 IS FOR ILLUSTRATION PURPOSE ONLY
13. CAP LOCATION IS CENTERED ALONG THE MATING ENDS AS SHOWN. TOP SURFACE OF CAP TO BE FLAT FOR THE PURPOSE OF PICK & PLACE BY VACUUM SUCTION NOZZLE.

| | | | | | | | | | | |
|--|-------------------------------|---------------------------------------|-------------|----------------------------|------------|---|---|------------------------|--|--|
| REVISE T&R QTY EC NO: S2009-0327 DRWN:SKANG 2008/11/26 CHKD:ATSEE 2008/11/27 APPR:MLONG 2008/11/28 | QUALITY SYMBOLS ▽=0 ◻=0 | GENERAL TOLERANCES (UNLESS SPECIFIED) | | DIMENSION STYLE MM ONLY | | SCALE NTS | DESIGN UNITS METRIC | THIRD ANGLE PROJECTION | | |
| | | | mm | INCH | DRAWN BY | DATE | TITLE | | | |
| | | 4 PLACES | ± --- | ± --- | SKLIM01 | 2005/10/26 | CUSTOM HEADER 2.54MM PITCH SINGLE ROW SINGLE WAFER SMT HEADER | | | |
| | | 3 PLACES | ± --- | ± --- | CHECKED BY | DATE | | | | |
| 2 PLACES | ± 0.2 | ± --- | APPROVED BY | | DATE | MOLEX INCORPORATED | | | | |
| 1 PLACE | ± --- | ± --- | PTLIM | | 2005/11/07 | | | | | |
| DRAFT WHERE APPLICABLE MUST REMAIN WITHIN DIMENSIONS | | ANGULAR ± 3 ° | | MATERIAL NO. SEE TABLE | | DOCUMENT NO. SD-87898-003 | | SHEET NO. 1 OF 17 | | |
| REV B2 | | REV | | SIZE A3 | | THIS DRAWING CONTAINS INFORMATION THAT IS PROPRIETARY TO MOLEX INCORPORATED AND SHOULD NOT BE USED WITHOUT WRITTEN PERMISSION | | | | |

**PART WITHOUT CAP
IN TUBE
ORIENTATION**



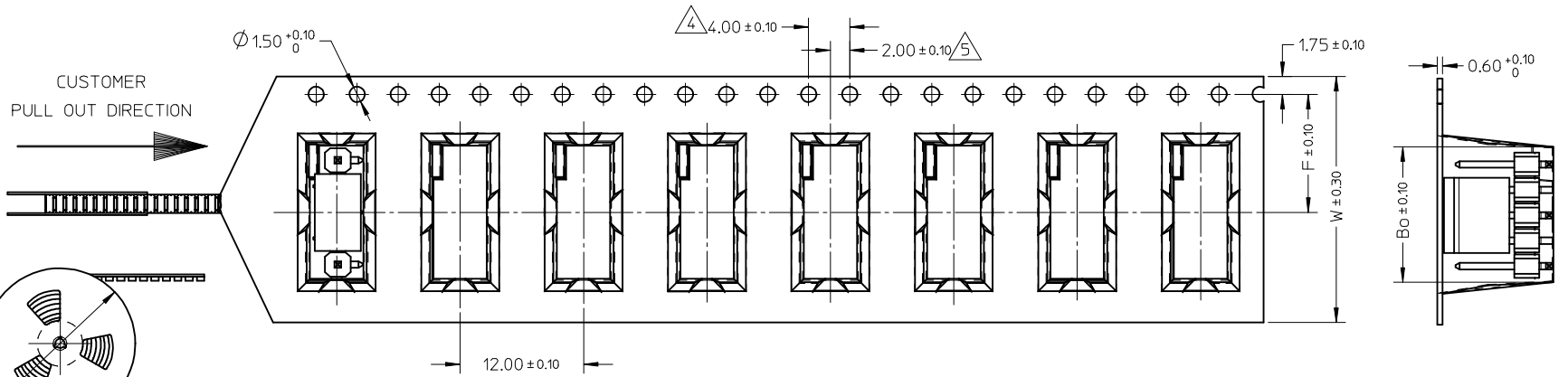
**PART WITH CAP
IN TUBE
ORIENTATION**



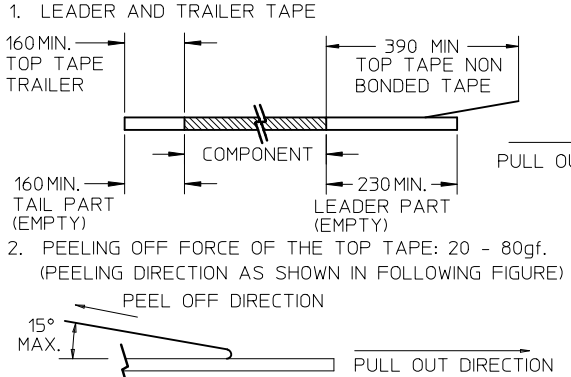
| | | | | | | | | | |
|---|--|--------------------|--|--|---|--|--|---|----------------------|
| REVISE T&R QTY EC NO: S2009-0327 DRWN:SKANG CHKD:ATSEE APPR:MLONG | 2008/11/26 2008/11/27 2008/11/28 | DESCRIPTION REV | QUALITY SYMBOLS | GENERAL TOLERANCES (UNLESS SPECIFIED) mm INCH 4 PLACES ± --- ± --- 3 PLACES ± --- ± --- 2 PLACES ± 0.2 ± --- 1 PLACE ± --- ± --- ANGULAR ± 3 ° | DIMENSION STYLE MM ONLY DRAWN BY SKLIM01 DATE 2005/10/26 CHECKED BY NAGESHKN DATE 2005/10/30 APPROVED BY PTLIM DATE 2005/11/07 | SCALE NTS DESIGN UNITS METRIC THIRD ANGLE PROJECTION | TITLE CUSTOM HEADER 2.54MM PITCH SINGLE ROW SINGLE WAFER SMT HEADER MOLEX INCORPORATED | MATERIAL NO. SEE TABLE DOCUMENT NO. SD-87898-003 | SHEET NO. 2 OF 17 |
| | | | ▽=0 ◻=0 | | | | | | |
| | | | DRAFT WHERE APPLICABLE MUST REMAIN WITHIN DIMENSIONS | | | | | | |
| | | | SIZE A3 | | | | | | |

10 9 8 7 6 5 4 3 2 1

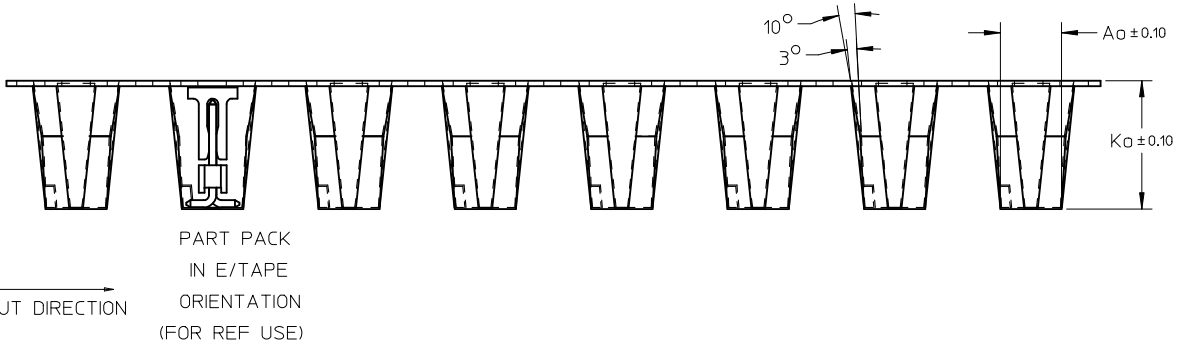
| CKT | DIMENSION | | | | |
|-----|-----------|------|-------|-------|-------|
| | Bo | Ao | Ko | F | W |
| 3 | 8.02 | 5.20 | 13.60 | 11.50 | 24.00 |
| 5 | 13.10 | 5.20 | 13.60 | 11.50 | 24.00 |



NOTES:



- LEADER AND TRAILER TAPE
- PEELING OFF FORCE OF THE TOP TAPE: 20 - 80gf. (PEELING DIRECTION AS SHOWN IN FOLLOWING FIGURE)
- MATERIAL: BLACK P.S CONDUCTIVE, BLACK
- MEASURED FROM CENTRELINE OF SPROCKET HOLE TO CENTRELINE OF SPOCKET
- CUMULATIVE TOLERANCE OF 10 SPROCKET HOLE IS ± 0.20 mm
- A0 AND B0 ARE MEASURE FROM ABOVE POCKET BASE 0.30mm
- TAPE AND REEL SPECIFICATION IS AS PER EIA-481.
- TAPE AND REEL QUANTITY : 320PCS/REEL
- THE TAPE IS TREATED FOR ANTI-STATIC.
- ALL RADIUS ARE 0.30MM UNLESS SPECIFY
- SURFACE RESISTIVITY 10^3 TO 10^8 OHMS.



| | |
|-------------------|-------------|
| REVISE T&R QTY | DESCRIPTION |
| EC NO: S2009-0327 | 2008/11/26 |
| DRWN:SKANG | 2008/11/27 |
| CHKD:ATSEE | 2008/11/28 |
| APPR:MLONG | 2008/11/28 |
| B2 | REV |

| QUALITY SYMBOLS | GENERAL TOLERANCES (UNLESS SPECIFIED) | |
|------------------------|--|-----------|
| | mm | INCH |
| $\blacktriangledown=0$ | 4 PLACES \pm --- | \pm --- |
| $\nabla=0$ | 3 PLACES \pm --- | \pm --- |
| | 2 PLACES ± 0.2 | \pm --- |
| | 1 PLACE \pm --- | \pm --- |
| | ANGULAR $\pm 3^\circ$ | |
| | DRAFT WHERE APPLICABLE MUST REMAIN WITHIN DIMENSIONS | |

| DIMENSION STYLE | | SCALE | DESIGN UNITS |
|-----------------|--------------|-------------------------|--------------|
| MM ONLY | | NTS | METRIC |
| DRAWN BY | DATE | TITLE | |
| SKLIM01 | 2005/10/26 | CUSTOM HEADER | |
| CHECKED BY | DATE | 2.54MM PITCH SINGLE ROW | |
| NAGESHKN | 2005/10/30 | SINGLE WAFER SMT HEADER | |
| APPROVED BY | DATE | MOLEX INCORPORATED | |
| PTLIM | 2005/11/07 | MOLEX INCORPORATED | |
| MATERIAL NO. | DOCUMENT NO. | SHEET NO. | |
| SEE TABLE | SD-87898-003 | 3 OF 17 | |

| |
|---|
| THIRD ANGLE PROJECTION |
| THIS DRAWING CONTAINS INFORMATION THAT IS PROPRIETARY TO MOLEX INCORPORATED AND SHOULD NOT BE USED WITHOUT WRITTEN PERMISSION |

9 8 7 6 5 4 3 2 1

| PACKAGING OPTION PART NO. | | | | | | CKT SIZE | VOID POSITION | PLATING TYPE | DIMENSION | | | |
|---------------------------|---------------|------------------|---------------|-------------------------|----------------------|----------|---------------|--------------|-----------|------|-------|------|
| TRAY WITHOUT CAP | TRAY WITH CAP | TUBE WITHOUT CAP | TUBE WITH CAP | TAPE & REEL WITHOUT CAP | TAPE & REEL WITH CAP | | | | A | B | F | M |
| 87898-0361 | ----- | ----- | ----- | ----- | ----- | 3 | ---- | 1 | 7.62 | 5.08 | 11.94 | 8.13 |
| 87898-0362 | ----- | ----- | ----- | ----- | ----- | 3 | ---- | 2 | 7.62 | 5.08 | 11.94 | 8.13 |
| 87898-0364 | ----- | ----- | ----- | ----- | ----- | 3 | ---- | 4 | 7.62 | 5.08 | 11.94 | 8.13 |
| 87898-0365 | ----- | ----- | ----- | ----- | ----- | 3 | ---- | 5 | 7.62 | 5.08 | 11.94 | 8.13 |
| 87898-0366 | ----- | ----- | 87898-0367 | ----- | 87898-0368 | 3 | ---- | 6 | 7.62 | 5.08 | 11.94 | 8.13 |


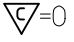
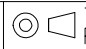
| | | | | | | | | | | | | | |
|---|--|--------------------|-----------------|---|---|--|--|--|---|-------------------------------------|-----------------------------|--|--|
| REVISE T&R QTY EC NO: S2009-0327 DRWN:SKANG CHKD:ATSEE APPR:MLONG | 2008/11/26 2008/11/27 2008/11/28 | DESCRIPTION REV | QUALITY SYMBOLS | GENERAL TOLERANCES (UNLESS SPECIFIED) 4 PLACES ± --- ± --- 3 PLACES ± --- ± --- 2 PLACES ± 0.2 ± --- 1 PLACE ± --- ± --- ANGULAR ± 3 ° | DIMENSION STYLE MM ONLY DRAWN BY SKLIM01 CHECKED BY NAGESHKN APPROVED BY PTLIM | SCALE NTS DESIGN UNITS METRIC THIRD ANGLE PROJECTION | TITLE CUSTOM HEADER 2.54MM PITCH SINGLE ROW SINGLE WAFER SMT HEADER MOLEX INCORPORATED | MATERIAL NO. SEE TABLE SIZE A3 | DATE 2005/10/26 DATE 2005/10/30 DATE 2005/11/07 | DOCUMENT NO. SD-87898-003 | SHEET NO. 4 OF 17 | | |
| | | | = 0 = 0 | | | | | | | | | DRAFT WHERE APPLICABLE MUST REMAIN WITHIN DIMENSIONS | THIS DRAWING CONTAINS INFORMATION THAT IS PROPRIETARY TO MOLEX INCORPORATED AND SHOULD NOT BE USED WITHOUT WRITTEN PERMISSION |

PACKAGING OPTION PART NO.


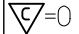
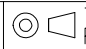

| F | PACKAGING OPTION PART NO. | | | | | | CKT SIZE | VOID POSITION | PLATING TYPE | DIMENSION | | | |
|---|---------------------------|--------------|------------------|---------------|-------------------------|----------------------|----------|---------------|--------------|-----------|-------|-------|------|
| | TRY WITHOUT CAP | TRY WITH CAP | TUBE WITHOUT CAP | TUBE WITH CAP | TAPE & REEL WITHOUT CAP | TAPE & REEL WITH CAP | | | | A | B | F | M |
| | ----- | ----- | 87898-0461 | ----- | ----- | ----- | 4 | ---- | 1 | 10.16 | 7.62 | 11.94 | 8.13 |
| | ----- | ----- | 87898-0462 | ----- | ----- | ----- | 4 | ---- | 2 | 10.16 | 7.62 | 11.94 | 8.13 |
| | ----- | ----- | 87898-0464 | ----- | ----- | ----- | 4 | ---- | 4 | 10.16 | 7.62 | 11.94 | 8.13 |
| | ----- | ----- | 87898-0465 | ----- | ----- | ----- | 4 | ---- | 5 | 10.16 | 7.62 | 11.94 | 8.13 |
| | ----- | ----- | 87898-0466 | ----- | ----- | ----- | 4 | ---- | 6 | 10.16 | 7.62 | 11.94 | 8.13 |
| | | | | | | | | | | | | | |
| | ----- | ----- | 87898-0561 | ----- | ----- | ----- | 5 | ---- | 1 | 12.70 | 10.16 | 11.94 | 8.13 |
| | ----- | ----- | 87898-0562 | ----- | ----- | ----- | 5 | ---- | 2 | 12.70 | 10.16 | 11.94 | 8.13 |
| | ----- | ----- | 87898-0564 | ----- | ----- | ----- | 5 | ---- | 4 | 12.70 | 10.16 | 11.94 | 8.13 |
| | ----- | ----- | 87898-0565 | ----- | ----- | ----- | 5 | ---- | 5 | 12.70 | 10.16 | 11.94 | 8.13 |
| | ----- | ----- | 87898-0566 | 87898-0567 | ----- | 87898-0568 | 5 | ---- | 6 | 12.70 | 10.16 | 11.94 | 8.13 |
| | | | | | | | | | | | | | |
| | ----- | ----- | 87898-0661 | ----- | ----- | ----- | 6 | ---- | 1 | 15.24 | 12.70 | 11.94 | 8.13 |
| | ----- | ----- | 87898-0662 | ----- | ----- | ----- | 6 | ---- | 2 | 15.24 | 12.70 | 11.94 | 8.13 |
| | ----- | ----- | 87898-0664 | ----- | ----- | ----- | 6 | ---- | 4 | 15.24 | 12.70 | 11.94 | 8.13 |
| | ----- | ----- | 87898-0665 | ----- | ----- | ----- | 6 | ---- | 5 | 15.24 | 12.70 | 11.94 | 8.13 |
| | ----- | ----- | 87898-0666 | ----- | ----- | ----- | 6 | ---- | 6 | 15.24 | 12.70 | 11.94 | 8.13 |

| | | | | | | | | | |
|--|---------------------|--|---|----------------------------|-------------------------|--------------|------------------------|------------------------|--|
| REVISE T&R QTY EC NO: S2009-0327 DRWN:SKANG 2008/11/26 CHKD:ATSEE 2008/11/27 APPR:MLONG 2008/11/28 | QUALITY SYMBOLS | GENERAL TOLERANCES (UNLESS SPECIFIED) | | DIMENSION STYLE MM ONLY | | SCALE NTS | DESIGN UNITS METRIC | THIRD ANGLE PROJECTION | |
| | ▽=0 | mm | INCH | DRAWN BY | DATE | TITLE | | | |
| | ∇=0 | 4 PLACES ± --- ± --- | SKLIM01 | 2005/10/26 | CUSTOM HEADER | | | | |
| | | 3 PLACES ± --- ± --- | CHECKED BY | DATE | 2.54MM PITCH SINGLE ROW | | | | |
| | | 2 PLACES ± 0.2 ± --- | NAGESHKN | 2005/10/30 | SINGLE WAFER SMT HEADER | | | | |
| | 1 PLACE ± --- ± --- | APPROVED BY | DATE | MOLEX INCORPORATED | | | | | |
| | ANGULAR ± 3 ° | PTLIM | 2005/11/07 | MATERIAL NO. | | DOCUMENT NO. | | SHEET NO. | |
| | | DRAFT WHERE APPLICABLE MUST REMAIN WITHIN DIMENSIONS | | SEE TABLE | | SD-87898-003 | | 5 OF 17 | |
| | | SIZE | THIS DRAWING CONTAINS INFORMATION THAT IS PROPRIETARY TO MOLEX INCORPORATED AND SHOULD NOT BE USED WITHOUT WRITTEN PERMISSION | | | | | | |
| | | A3 | | | | | | | |

| PACKAGING OPTION PART NO. | | | | | | CKT SIZE | VOID POSITION | PLATING TYPE | DIMENSION | | | |
|---------------------------|--------------|------------------|---------------|-------------------------|----------------------|----------|---------------|--------------|-----------|-------|-------|------|
| TRY WITHOUT CAP | TRY WITH CAP | TUBE WITHOUT CAP | TUBE WITH CAP | TAPE & REEL WITHOUT CAP | TAPE & REEL WITH CAP | | | | A | B | F | M |
| ----- | ----- | 87898-07261 | ----- | ----- | ----- | 7 | ---- | 1 | 17.78 | 15.24 | 11.94 | 8.13 |
| ----- | ----- | 87898-0762 | ----- | ----- | ----- | 7 | ---- | 2 | 17.78 | 15.24 | 11.94 | 8.13 |
| ----- | ----- | 87898-0764 | ----- | ----- | ----- | 7 | ---- | 4 | 17.78 | 15.24 | 11.94 | 8.13 |
| ----- | ----- | 87898-0765 | ----- | ----- | ----- | 7 | ---- | 5 | 17.78 | 15.24 | 11.94 | 8.13 |
| ----- | ----- | 87898-0766 | ----- | ----- | ----- | 7 | ---- | 6 | 17.78 | 15.24 | 11.94 | 8.13 |
| ----- | ----- | 87898-0861 | ----- | ----- | ----- | 8 | ---- | 1 | 20.32 | 17.78 | 11.94 | 8.13 |
| ----- | ----- | 87898-0862 | ----- | ----- | ----- | 8 | ---- | 2 | 20.32 | 17.78 | 11.94 | 8.13 |
| ----- | ----- | 87898-0864 | ----- | ----- | ----- | 8 | ---- | 4 | 20.32 | 17.78 | 11.94 | 8.13 |
| ----- | ----- | 87898-0865 | ----- | ----- | ----- | 8 | ---- | 5 | 20.32 | 17.78 | 11.94 | 8.13 |
| ----- | ----- | 87898-0866 | ----- | ----- | ----- | 8 | ---- | 6 | 20.32 | 17.78 | 11.94 | 8.13 |
| ----- | ----- | 87898-0961 | ----- | ----- | ----- | 9 | ---- | 1 | 22.86 | 20.32 | 11.94 | 8.13 |
| ----- | ----- | 87898-0962 | ----- | ----- | ----- | 9 | ---- | 2 | 22.86 | 20.32 | 11.94 | 8.13 |
| ----- | ----- | 87898-0964 | ----- | ----- | ----- | 9 | ---- | 4 | 22.86 | 20.32 | 11.94 | 8.13 |
| ----- | ----- | 87898-0965 | ----- | ----- | ----- | 9 | ---- | 5 | 22.86 | 20.32 | 11.94 | 8.13 |
| ----- | ----- | 87898-0966 | ----- | ----- | ----- | 9 | ---- | 6 | 22.86 | 20.32 | 11.94 | 8.13 |

| | | | | | | | | | | | |
|---|--|---|--------------|--|--------------------|---|-------------------------------|---|--|--|--|
| REVISE T&R QTY EC NO: S2009-0327 DRWN:SKANG 2008/11/26 CHKD:ATSEE 2008/11/27 APPR:MLONG 2008/11/28 | QUALITY SYMBOLS  = 0  = 0 | GENERAL TOLERANCES (UNLESS SPECIFIED) | | DIMENSION STYLE MM ONLY | | SCALE NTS | DESIGN UNITS METRIC |  THIRD ANGLE PROJECTION | | | |
| | | 4 PLACES ± --- ± --- 3 PLACES ± --- ± --- 2 PLACES ± 0.2 ± --- 1 PLACE ± --- ± --- | mm INCH | DRAWN BY SKLIM01 | DATE 2005/10/26 | TITLE CUSTOM HEADER 2.54MM PITCH SINGLE ROW SINGLE WAFER SMT HEADER | | | | | |
| | | ANGULAR ± 3 ° | | CHECKED BY NAGESHKN | DATE 2005/10/30 | MOLEX INCORPORATED | | | | | |
| | | DRAFT WHERE APPLICABLE MUST REMAIN WITHIN DIMENSIONS | | APPROVED BY PTLIM | DATE 2005/11/07 | MATERIAL NO. SEE TABLE | DOCUMENT NO. SD-87898-003 | SHEET NO. 6 OF 17 | | | |

| PACKAGING OPTION PART NO. | | | | | | CKT SIZE | VOID POSITION | PLATING TYPE | DIMENSION | | | |
|---------------------------|--------------|------------------|---------------|-------------------------|----------------------|----------|---------------|--------------|-----------|-------|-------|------|
| TRY WITHOUT CAP | TRY WITH CAP | TUBE WITHOUT CAP | TUBE WITH CAP | TAPE & REEL WITHOUT CAP | TAPE & REEL WITH CAP | | | | A | B | F | M |
| ----- | ----- | 87898-1061 | ----- | ----- | ----- | 10 | ----- | 1 | 25.40 | 22.86 | 11.94 | 8.13 |
| ----- | ----- | 87898-1062 | ----- | ----- | ----- | 10 | ----- | 2 | 25.40 | 22.86 | 11.94 | 8.13 |
| ----- | ----- | 87898-1064 | ----- | ----- | ----- | 10 | ----- | 4 | 25.40 | 22.86 | 11.94 | 8.13 |
| ----- | ----- | 87898-1065 | ----- | ----- | ----- | 10 | ----- | 5 | 25.40 | 22.86 | 11.94 | 8.13 |
| ----- | ----- | 87898-1066 | ----- | ----- | ----- | 10 | ----- | 6 | 25.40 | 22.86 | 11.94 | 8.13 |
| ----- | ----- | 87898-1161 | ----- | ----- | ----- | 11 | ----- | 1 | 27.94 | 25.40 | 11.94 | 8.13 |
| ----- | ----- | 87898-1162 | ----- | ----- | ----- | 11 | ----- | 2 | 27.94 | 25.40 | 11.94 | 8.13 |
| ----- | ----- | 87898-1164 | ----- | ----- | ----- | 11 | ----- | 4 | 27.94 | 25.40 | 11.94 | 8.13 |
| ----- | ----- | 87898-1165 | ----- | ----- | ----- | 11 | ----- | 5 | 27.94 | 25.40 | 11.94 | 8.13 |
| ----- | ----- | 87898-1166 | ----- | ----- | ----- | 11 | ----- | 6 | 27.94 | 25.40 | 11.94 | 8.13 |
| ----- | ----- | 87898-1261 | ----- | ----- | ----- | 12 | ----- | 1 | 30.48 | 27.94 | 11.94 | 8.13 |
| ----- | ----- | 87898-1262 | ----- | ----- | ----- | 12 | ----- | 2 | 30.48 | 27.94 | 11.94 | 8.13 |
| ----- | ----- | 87898-1264 | ----- | ----- | ----- | 12 | ----- | 4 | 30.48 | 27.94 | 11.94 | 8.13 |
| ----- | ----- | 87898-1265 | ----- | ----- | ----- | 12 | ----- | 5 | 30.48 | 27.94 | 11.94 | 8.13 |
| ----- | ----- | 87898-1266 | ----- | ----- | ----- | 12 | ----- | 6 | 30.48 | 27.94 | 11.94 | 8.13 |

| REVISE T&R QTY EC NO: S2009-0327 DRWN:SKANG 2008/11/26 CHKD:ATSEE 2008/11/27 APPR:MLONG 2008/11/28 B2 | QUALITY SYMBOLS  = 0  = 0 | GENERAL TOLERANCES (UNLESS SPECIFIED) <table border="1"> <tr><th colspan="2">mm</th><th>INCH</th></tr> <tr><td>4 PLACES</td><td>± ---</td><td>± ---</td></tr> <tr><td>3 PLACES</td><td>± ---</td><td>± ---</td></tr> <tr><td>2 PLACES</td><td>± 0.2</td><td>± ---</td></tr> <tr><td>1 PLACE</td><td>± ---</td><td>± ---</td></tr> </table> | mm | | INCH | 4 PLACES | ± --- | ± --- | 3 PLACES | ± --- | ± --- | 2 PLACES | ± 0.2 | ± --- | 1 PLACE | ± --- | ± --- | DIMENSION STYLE MM ONLY | SCALE NTS | DESIGN UNITS METRIC |  THIRD ANGLE PROJECTION |
|--|--|--|-----------------------------|---------|------------|------------|-------|----------|------------|-------------|-------|----------|------------|---|---|-------|-------|--|---------------------|-------------------------------|---|
| | mm | | INCH | | | | | | | | | | | | | | | | | | |
| | 4 PLACES | ± --- | ± --- | | | | | | | | | | | | | | | | | | |
| | 3 PLACES | ± --- | ± --- | | | | | | | | | | | | | | | | | | |
| | 2 PLACES | ± 0.2 | ± --- | | | | | | | | | | | | | | | | | | |
| 1 PLACE | ± --- | ± --- | | | | | | | | | | | | | | | | | | | |
| DESCRIPTION DRAFT WHERE APPLICABLE MUST REMAIN WITHIN DIMENSIONS | <table border="1"> <tr><th>DRAWN BY</th><th>DATE</th></tr> <tr><td>SKLIM01</td><td>2005/10/26</td></tr> <tr><th>CHECKED BY</th><th>DATE</th></tr> <tr><td>NAGESHKN</td><td>2005/10/30</td></tr> <tr><th>APPROVED BY</th><th>DATE</th></tr> <tr><td>PTLIM</td><td>2005/11/07</td></tr> </table> | DRAWN BY | DATE | SKLIM01 | 2005/10/26 | CHECKED BY | DATE | NAGESHKN | 2005/10/30 | APPROVED BY | DATE | PTLIM | 2005/11/07 | TITLE CUSTOM HEADER 2.54MM PITCH SINGLE ROW SINGLE WAFER SMT HEADER |  MOLEX INCORPORATED | | | | | | |
| DRAWN BY | DATE | | | | | | | | | | | | | | | | | | | | |
| SKLIM01 | 2005/10/26 | | | | | | | | | | | | | | | | | | | | |
| CHECKED BY | DATE | | | | | | | | | | | | | | | | | | | | |
| NAGESHKN | 2005/10/30 | | | | | | | | | | | | | | | | | | | | |
| APPROVED BY | DATE | | | | | | | | | | | | | | | | | | | | |
| PTLIM | 2005/11/07 | | | | | | | | | | | | | | | | | | | | |
| SIZE A3 | MATERIAL NO. SEE TABLE | DOCUMENT NO. SD-87898-003 | SHEET NO. 7 OF 17 | | | | | | | | | | | | | | | | | | |
| THIS DRAWING CONTAINS INFORMATION THAT IS PROPRIETARY TO MOLEX INCORPORATED AND SHOULD NOT BE USED WITHOUT WRITTEN PERMISSION | | | | | | | | | | | | | | | | | | | | | |

| PACKAGING OPTION PART NO. | | | | | | CKT SIZE | VOID POSITION | PLATING TYPE | DIMENSION | | | |
|---------------------------|--------------|------------------|---------------|-------------------------|----------------------|----------|---------------|--------------|-----------|-------|-------|------|
| TRY WITHOUT CAP | TRY WITH CAP | TUBE WITHOUT CAP | TUBE WITH CAP | TAPE & REEL WITHOUT CAP | TAPE & REEL WITH CAP | | | | A | B | F | M |
| ----- | ----- | 87898-1361 | ----- | ----- | ----- | 13 | ---- | 1 | 33.02 | 30.48 | 11.94 | 8.13 |
| ----- | ----- | 87898-1362 | ----- | ----- | ----- | 13 | ---- | 2 | 33.02 | 30.48 | 11.94 | 8.13 |
| ----- | ----- | 87898-1364 | ----- | ----- | ----- | 13 | ---- | 4 | 33.02 | 30.48 | 11.94 | 8.13 |
| ----- | ----- | 87898-1365 | ----- | ----- | ----- | 13 | ---- | 5 | 33.02 | 30.48 | 11.94 | 8.13 |
| ----- | ----- | 87898-1366 | ----- | ----- | ----- | 13 | ---- | 6 | 33.02 | 30.48 | 11.94 | 8.13 |
| ----- | ----- | | | | | | | | | | | |
| ----- | ----- | 87898-1461 | ----- | ----- | ----- | 14 | ---- | 1 | 35.56 | 33.02 | 11.94 | 8.13 |
| ----- | ----- | 87898-1462 | ----- | ----- | ----- | 14 | ---- | 2 | 35.56 | 33.02 | 11.94 | 8.13 |
| ----- | ----- | 87898-1464 | ----- | ----- | ----- | 14 | ---- | 4 | 35.56 | 33.02 | 11.94 | 8.13 |
| ----- | ----- | 87898-1465 | ----- | ----- | ----- | 14 | ---- | 5 | 35.56 | 33.02 | 11.94 | 8.13 |
| ----- | ----- | 87898-1466 | ----- | ----- | ----- | 14 | ---- | 6 | 35.56 | 33.02 | 11.94 | 8.13 |
| ----- | ----- | | | | | | | | | | | |
| ----- | ----- | 87898-1561 | ----- | ----- | ----- | 15 | ---- | 1 | 38.10 | 35.56 | 11.94 | 8.13 |
| ----- | ----- | 87898-1562 | ----- | ----- | ----- | 15 | ---- | 2 | 38.10 | 35.56 | 11.94 | 8.13 |
| ----- | ----- | 87898-1564 | ----- | ----- | ----- | 15 | ---- | 4 | 38.10 | 35.56 | 11.94 | 8.13 |
| ----- | ----- | 87898-1565 | ----- | ----- | ----- | 15 | ---- | 5 | 38.10 | 35.56 | 11.94 | 8.13 |
| ----- | ----- | 87898-1566 | ----- | ----- | ----- | 15 | ---- | 6 | 38.10 | 35.56 | 11.94 | 8.13 |

| | | | | | | | | | | | | |
|-------|-------|--|--|--|--|--|--|--|--|--|--|--|
| ----- | ----- | | | | | | | | | | | |
|-------|-------|--|--|--|--|--|--|--|--|--|--|--|

| | | | | | | | | | | |
|--|-------------------------------|---------------------------------------|-------------|----------------------------|---|--------------|---|------------------------|--|--|
| REVISE T&R QTY EC NO: S2009-0327 DRWN:SKANG 2008/11/26 CHKD:ATSEE 2008/11/27 APPR:MLONG 2008/11/28 | QUALITY SYMBOLS ▽=0 ◻=0 | GENERAL TOLERANCES (UNLESS SPECIFIED) | | DIMENSION STYLE MM ONLY | | SCALE NTS | DESIGN UNITS METRIC | THIRD ANGLE PROJECTION | | |
| | | | mm | INCH | DRAWN BY | DATE | TITLE | | | |
| | | 4 PLACES | ± --- | ± --- | SKLIM01 | 2005/10/26 | CUSTOM HEADER 2.54MM PITCH SINGLE ROW SINGLE WAFER SMT HEADER | | | |
| | | 3 PLACES | ± --- | ± --- | CHECKED BY | DATE | | | | |
| 2 PLACES | ± 0.2 | ± --- | NAGESHKN | 2005/10/30 | MOLEX INCORPORATED | | | | | |
| 1 PLACE | ± --- | ± --- | APPROVED BY | DATE | | | | | | |
| ANGULAR ± 3 ° | | | PTLIM | 2005/11/07 | MATERIAL NO. | | DOCUMENT NO. | | | |
| DRAFT WHERE APPLICABLE MUST REMAIN WITHIN DIMENSIONS | | | SEE TABLE | | SD-87898-003 | | SHEET NO. 8 OF 17 | | | |
| | | | SIZE A3 | | THIS DRAWING CONTAINS INFORMATION THAT IS PROPRIETARY TO MOLEX INCORPORATED AND SHOULD NOT BE USED WITHOUT WRITTEN PERMISSION | | | | | |

PACKAGING OPTION PART NO.

| TRY WITHOUT CAP | TRY WITH CAP | TUBE WITHOUT CAP | TUBE WITH CAP | TAPE & REEL WITHOUT CAP | TAPE & REEL WITH CAP | CKT SIZE | VOID POSITION | PLATING TYPE | DIMENSION | | | |
|-----------------|--------------|------------------|---------------|-------------------------|----------------------|----------|---------------|--------------|-----------|-------|-------|------|
| | | | | | | | | | A | B | F | M |
| ----- | ----- | 87898-1661 | ----- | ----- | ----- | 16 | ----- | 1 | 40.64 | 38.10 | 11.94 | 8.13 |
| ----- | ----- | 87898-1662 | ----- | ----- | ----- | 16 | ----- | 2 | 40.64 | 38.10 | 11.94 | 8.13 |
| ----- | ----- | 87898-1664 | ----- | ----- | ----- | 16 | ----- | 4 | 40.64 | 38.10 | 11.94 | 8.13 |
| ----- | ----- | 87898-1665 | ----- | ----- | ----- | 16 | ----- | 5 | 40.64 | 38.10 | 11.94 | 8.13 |
| ----- | ----- | 87898-1666 | ----- | ----- | ----- | 16 | ----- | 6 | 40.64 | 38.10 | 11.94 | 8.13 |
| ----- | ----- | 87898-1761 | ----- | ----- | ----- | 17 | ----- | 1 | 43.18 | 40.64 | 11.94 | 8.13 |
| ----- | ----- | 87898-1762 | ----- | ----- | ----- | 17 | ----- | 2 | 43.18 | 40.64 | 11.94 | 8.13 |
| ----- | ----- | 87898-1764 | ----- | ----- | ----- | 17 | ----- | 4 | 43.18 | 40.64 | 11.94 | 8.13 |
| ----- | ----- | 87898-1765 | ----- | ----- | ----- | 17 | ----- | 5 | 43.18 | 40.64 | 11.94 | 8.13 |
| ----- | ----- | 87898-1766 | ----- | ----- | ----- | 17 | ----- | 6 | 43.18 | 40.64 | 11.94 | 8.13 |
| ----- | ----- | 87898-1861 | ----- | ----- | ----- | 18 | ----- | 1 | 45.72 | 43.18 | 11.94 | 8.13 |
| ----- | ----- | 87898-1862 | ----- | ----- | ----- | 18 | ----- | 2 | 45.72 | 43.18 | 11.94 | 8.13 |
| ----- | ----- | 87898-1864 | ----- | ----- | ----- | 18 | ----- | 4 | 45.72 | 43.18 | 11.94 | 8.13 |
| ----- | ----- | 87898-1865 | ----- | ----- | ----- | 18 | ----- | 5 | 45.72 | 43.18 | 11.94 | 8.13 |
| ----- | ----- | 87898-1866 | ----- | ----- | ----- | 18 | ----- | 6 | 45.72 | 43.18 | 11.94 | 8.13 |


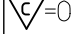
| | | | | | | |
|---|-----------------|--|-----------------|------------|---|-------------------------------|
| REVISE T&R QTY EC NO: S2009-0327 DRWN:SKANG 2008/11/26 CHYKD:ATSEE 2008/11/27 APPR:MLONG 2008/11/28 | QUALITY SYMBOLS | GENERAL TOLERANCES (UNLESS SPECIFIED) | DIMENSION STYLE | SCALE | DESIGN UNITS | THIRD ANGLE PROJECTION |
| | ▽=0 ◻=0 | mm INCH 4 PLACES ± --- ± --- 3 PLACES ± --- ± --- 2 PLACES ± 0.2 ± --- 1 PLACE ± --- ± --- ANGULAR ± 3 ° | MM ONLY | NTS | METRIC | ☉ ◻ THIRD ANGLE PROJECTION |
| | DESCRIPTION | DRAFT WHERE APPLICABLE MUST REMAIN WITHIN DIMENSIONS | DRAWN BY | DATE | TITLE | |
| | REV | | SKLIM01 | 2005/10/26 | CUSTOM HEADER | |
| | B2 | | PTLIM | 2005/11/07 | 2.54MM PITCH SINGLE ROW SINGLE WAFER SMT HEADER | |
| | | | | | MOLEX INCORPORATED | |
| | | | | | DOCUMENT NO. | SHEET NO. |
| | | | | | SD-87898-003 | 9 OF 17 |
| | | | | | THIS DRAWING CONTAINS INFORMATION THAT IS PROPRIETARY TO MOLEX INCORPORATED AND SHOULD NOT BE USED WITHOUT WRITTEN PERMISSION | |

PACKAGING OPTION PART NO.


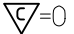
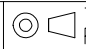
| TRY WITHOUT CAP | TRY WITH CAP | TUBE WITHOUT CAP | TUBE WITH CAP | TAPE & REEL WITHOUT CAP | TAPE & REEL WITH CAP | CKT SIZE | VOID POSITION | PLATING TYPE | DIMENSION | | | |
|-----------------|--------------|------------------|---------------|-------------------------|----------------------|----------|---------------|--------------|-----------|-------|-------|------|
| | | | | | | | | | A | B | F | M |
| ----- | ----- | 87898-1961 | ----- | ----- | ----- | 19 | ---- | 1 | 48.26 | 45.72 | 11.94 | 8.13 |
| ----- | ----- | 87898-1962 | ----- | ----- | ----- | 19 | ---- | 2 | 48.26 | 45.72 | 11.94 | 8.13 |
| ----- | ----- | 87898-1964 | ----- | ----- | ----- | 19 | ---- | 4 | 48.26 | 45.72 | 11.94 | 8.13 |
| ----- | ----- | 87898-1965 | ----- | ----- | ----- | 19 | ---- | 5 | 48.26 | 45.72 | 11.94 | 8.13 |
| ----- | ----- | 87898-1966 | ----- | ----- | ----- | 19 | ---- | 6 | 48.26 | 45.72 | 11.94 | 8.13 |
| ----- | ----- | 87898-2061 | ----- | ----- | ----- | 20 | ---- | 1 | 50.80 | 48.26 | 11.94 | 8.13 |
| ----- | ----- | 87898-2062 | ----- | ----- | ----- | 20 | ---- | 2 | 50.80 | 48.26 | 11.94 | 8.13 |
| ----- | ----- | 87898-2064 | ----- | ----- | ----- | 20 | ---- | 4 | 50.80 | 48.26 | 11.94 | 8.13 |
| ----- | ----- | 87898-2065 | ----- | ----- | ----- | 20 | ---- | 5 | 50.80 | 48.26 | 11.94 | 8.13 |
| ----- | ----- | 87898-2066 | ----- | ----- | ----- | 20 | ---- | 6 | 50.80 | 48.26 | 11.94 | 8.13 |
| ----- | ----- | 87898-2161 | ----- | ----- | ----- | 21 | ---- | 1 | 53.34 | 50.80 | 11.94 | 8.13 |
| ----- | ----- | 87898-2162 | ----- | ----- | ----- | 21 | ---- | 2 | 53.34 | 50.80 | 11.94 | 8.13 |
| ----- | ----- | 87898-2164 | ----- | ----- | ----- | 21 | ---- | 4 | 53.34 | 50.80 | 11.94 | 8.13 |
| ----- | ----- | 87898-2165 | ----- | ----- | ----- | 21 | ---- | 5 | 53.34 | 50.80 | 11.94 | 8.13 |
| ----- | ----- | 87898-2166 | ----- | ----- | ----- | 21 | ---- | 6 | 53.34 | 50.80 | 11.94 | 8.13 |

| | | | | | | |
|--|-----------------|--|-----------------|---|---|----------------------------|
| REVISE T&R QTY EC NO: S2009-0327 DRWN:SKANG 2008/11/26 CHKD:ATSEE 2008/11/27 APPR:MLONG 2008/11/28 | QUALITY SYMBOLS | GENERAL TOLERANCES (UNLESS SPECIFIED) | DIMENSION STYLE | SCALE | DESIGN UNITS | THIRD ANGLE PROJECTION |
| | ▽=0 □=0 | mm INCH 4 PLACES ± --- ± --- 3 PLACES ± --- ± --- 2 PLACES ± 0.2 ± --- 1 PLACE ± --- ± --- ANGULAR ± 3 ° | MM ONLY | NTS | METRIC | ☉ □ THIRD ANGLE PROJECTION |
| | DESCRIPTION | DRAFT WHERE APPLICABLE MUST REMAIN WITHIN DIMENSIONS | DRAWN BY | DATE | TITLE | |
| | REV | | SKLIM01 | 2005/10/26 | CUSTOM HEADER 2.54MM PITCH SINGLE ROW SINGLE WAFER SMT HEADER | |
| | B2 | | PTLIM | 2005/11/07 | MOLEX INCORPORATED | |
| | | | MATERIAL NO. | DOCUMENT NO. | SHEET NO. | |
| | | | SEE TABLE | SD-87898-003 | 10 OF 17 | |
| | | | SIZE | THIS DRAWING CONTAINS INFORMATION THAT IS PROPRIETARY TO MOLEX INCORPORATED AND SHOULD NOT BE USED WITHOUT WRITTEN PERMISSION | | |
| | | | A3 | | | |

| PACKAGING OPTION PART NO. | | | | | | CKT SIZE | VOID POSITION | PLATING TYPE | DIMENSION | | | |
|---------------------------|--------------|------------------|---------------|-------------------------|----------------------|----------|---------------|--------------|-----------|-------|-------|------|
| TRY WITHOUT CAP | TRY WITH CAP | TUBE WITHOUT CAP | TUBE WITH CAP | TAPE & REEL WITHOUT CAP | TAPE & REEL WITH CAP | | | | A | B | F | M |
| F | ----- | ----- | 87898-2261 | ----- | ----- | 22 | ---- | 1 | 55.88 | 53.34 | 11.94 | 8.13 |
| | ----- | ----- | 87898-2262 | ----- | ----- | 22 | ---- | 2 | 55.88 | 53.34 | 11.94 | 8.13 |
| | ----- | ----- | 87898-2264 | ----- | ----- | 22 | ---- | 4 | 55.88 | 53.34 | 11.94 | 8.13 |
| | ----- | ----- | 87898-2265 | ----- | ----- | 22 | ---- | 5 | 55.88 | 53.34 | 11.94 | 8.13 |
| | ----- | ----- | 87898-2266 | ----- | ----- | 22 | ---- | 6 | 55.88 | 53.34 | 11.94 | 8.13 |
| E | | | | | | | | | | | | |
| | ----- | ----- | 87898-2361 | ----- | ----- | 23 | ---- | 1 | 58.42 | 55.88 | 11.94 | 8.13 |
| | ----- | ----- | 87898-2362 | ----- | ----- | 23 | ---- | 2 | 58.42 | 55.88 | 11.94 | 8.13 |
| | ----- | ----- | 87898-2364 | ----- | ----- | 23 | ---- | 4 | 58.42 | 55.88 | 11.94 | 8.13 |
| | ----- | ----- | 87898-2365 | ----- | ----- | 23 | ---- | 5 | 58.42 | 55.88 | 11.94 | 8.13 |
| | ----- | ----- | 87898-2366 | ----- | ----- | 23 | ---- | 6 | 58.42 | 55.88 | 11.94 | 8.13 |
| D | | | | | | | | | | | | |
| | ----- | ----- | 87898-2461 | ----- | ----- | 24 | ---- | 1 | 60.96 | 58.42 | 11.94 | 8.13 |
| | ----- | ----- | 87898-2462 | ----- | ----- | 24 | ---- | 2 | 60.96 | 58.42 | 11.94 | 8.13 |
| | ----- | ----- | 87898-2464 | ----- | ----- | 24 | ---- | 4 | 60.96 | 58.42 | 11.94 | 8.13 |
| | ----- | ----- | 87898-2465 | ----- | ----- | 24 | ---- | 5 | 60.96 | 58.42 | 11.94 | 8.13 |
| | ----- | ----- | 87898-2466 | ----- | ----- | 24 | ---- | 6 | 60.96 | 58.42 | 11.94 | 8.13 |
| C | | | | | | | | | | | | |

| | | | | | | | | | | |
|--|---|---------------------------------------|-------------|----------------------------|------------|--------------|---|------------------------|--|--|
| REVISE T&R QTY EC NO: S2009-0327 DRWN:SKANG 2008/11/26 CHKD:ATSEE 2008/11/27 APPR:MLONG 2008/11/28 | QUALITY SYMBOLS  = 0  = 0.2 | GENERAL TOLERANCES (UNLESS SPECIFIED) | | DIMENSION STYLE MM ONLY | | SCALE NTS | DESIGN UNITS METRIC | THIRD ANGLE PROJECTION | | |
| | | | mm | INCH | DRAWN BY | DATE | TITLE | | | |
| | | 4 PLACES | ± --- | ± --- | SKLIM01 | 2005/10/26 | CUSTOM HEADER 2.54MM PITCH SINGLE ROW SINGLE WAFER SMT HEADER | | | |
| | | 3 PLACES | ± --- | ± --- | CHECKED BY | DATE | | | | |
| | | 2 PLACES | ± 0.2 | ± --- | NAGESHKN | 2005/10/30 | MOLEX INCORPORATED | | | |
| 1 PLACE | ± --- | ± --- | APPROVED BY | DATE | | | | | | |
| ANGULAR ± 3 ° | | MATERIAL NO. | | PTLIM | 2005/11/07 | DOCUMENT NO. | | SHEET NO. | | |
| DRAFT WHERE APPLICABLE MUST REMAIN WITHIN DIMENSIONS | | SEE TABLE | | SD-87898-003 | | 11 OF 17 | | | | |

| PACKAGING OPTION PART NO. | | | | | | CKT SIZE | VOID POSITION | PLATING TYPE | DIMENSION | | | |
|---------------------------|--------------|------------------|---------------|-------------------------|----------------------|----------|---------------|--------------|-----------|-------|-------|------|
| TRY WITHOUT CAP | TRY WITH CAP | TUBE WITHOUT CAP | TUBE WITH CAP | TAPE & REEL WITHOUT CAP | TAPE & REEL WITH CAP | | | | A | B | F | M |
| F | ----- | ----- | 87898-2561 | ----- | ----- | 25 | ---- | 1 | 63.50 | 60.96 | 11.94 | 8.13 |
| | ----- | ----- | 87898-2562 | ----- | ----- | 25 | ---- | 2 | 63.50 | 60.96 | 11.94 | 8.13 |
| | ----- | ----- | 87898-2564 | ----- | ----- | 25 | ---- | 4 | 63.50 | 60.96 | 11.94 | 8.13 |
| | ----- | ----- | 87898-2565 | ----- | ----- | 25 | ---- | 5 | 63.50 | 60.96 | 11.94 | 8.13 |
| | ----- | ----- | 87898-2566 | ----- | ----- | 25 | ---- | 6 | 63.50 | 60.96 | 11.94 | 8.13 |
| E | | | | | | | | | | | | |
| | ----- | ----- | 87898-2661 | ----- | ----- | 26 | ---- | 1 | 66.04 | 63.50 | 11.94 | 8.13 |
| | ----- | ----- | 87898-2662 | ----- | ----- | 26 | ---- | 2 | 66.04 | 63.50 | 11.94 | 8.13 |
| | ----- | ----- | 87898-2664 | ----- | ----- | 26 | ---- | 4 | 66.04 | 63.50 | 11.94 | 8.13 |
| | ----- | ----- | 87898-2665 | ----- | ----- | 26 | ---- | 5 | 66.04 | 63.50 | 11.94 | 8.13 |
| | ----- | ----- | 87898-2666 | ----- | ----- | 26 | ---- | 6 | 66.04 | 63.50 | 11.94 | 8.13 |
| D | | | | | | | | | | | | |
| | ----- | ----- | 87898-2761 | ----- | ----- | 27 | ---- | 1 | 68.58 | 66.04 | 11.94 | 8.13 |
| | ----- | ----- | 87898-2762 | ----- | ----- | 27 | ---- | 2 | 68.58 | 66.04 | 11.94 | 8.13 |
| | ----- | ----- | 87898-2764 | ----- | ----- | 27 | ---- | 4 | 68.58 | 66.04 | 11.94 | 8.13 |
| | ----- | ----- | 87898-2765 | ----- | ----- | 27 | ---- | 5 | 68.58 | 66.04 | 11.94 | 8.13 |
| | ----- | ----- | 87898-2766 | ----- | ----- | 27 | ---- | 6 | 68.58 | 66.04 | 11.94 | 8.13 |
| C | | | | | | | | | | | | |

| | | | | | | | | | | | |
|---|--|---|------------|--|--------------------|---|-------------------------------|---|--|------------------------------|--|
| REVISE T&R QTY EC NO: S2009-0327 DRWN:SKANG 2008/11/26 CHKD:ATSEE 2008/11/27 APPR:MLONG 2008/11/28 | QUALITY SYMBOLS  =0  =0 | GENERAL TOLERANCES (UNLESS SPECIFIED) | | DIMENSION STYLE MM ONLY | | SCALE NTS | DESIGN UNITS METRIC |  THIRD ANGLE PROJECTION | | | |
| | | 4 PLACES ± --- ± --- 3 PLACES ± --- ± --- 2 PLACES ± 0.2 ± --- 1 PLACE ± --- ± --- | mm INCH | DRAWN BY SKLIM01 | DATE 2005/10/26 | TITLE CUSTOM HEADER 2.54MM PITCH SINGLE ROW SINGLE WAFER SMT HEADER | | | | | |
| | | ANGULAR ± 3 ° | | CHECKED BY NAGESHKN | DATE 2005/10/30 | MOLEX INCORPORATED | | | | | |
| | | DRAFT WHERE APPLICABLE MUST REMAIN WITHIN DIMENSIONS | | APPROVED BY PTLIM | DATE 2005/11/07 | MATERIAL NO. SEE TABLE | | DOCUMENT NO. SD-87898-003 | | SHEET NO. 12 OF 17 | |

| PACKAGING OPTION PART NO. | | | | | | CKT SIZE | VOID POSITION | PLATING TYPE | DIMENSION | | | |
|---------------------------|--------------|------------------|---------------|-------------------------|----------------------|----------|---------------|--------------|-----------|-------|-------|------|
| TRY WITHOUT CAP | TRY WITH CAP | TUBE WITHOUT CAP | TUBE WITH CAP | TAPE & REEL WITHOUT CAP | TAPE & REEL WITH CAP | | | | A | B | F | M |
| ----- | ----- | 87898-2861 | ----- | ----- | ----- | 28 | ---- | 1 | 71.12 | 68.58 | 11.94 | 8.13 |
| ----- | ----- | 87898-2862 | ----- | ----- | ----- | 28 | ---- | 2 | 71.12 | 68.58 | 11.94 | 8.13 |
| ----- | ----- | 87898-2864 | ----- | ----- | ----- | 28 | ---- | 4 | 71.12 | 68.58 | 11.94 | 8.13 |
| ----- | ----- | 87898-2865 | ----- | ----- | ----- | 28 | ---- | 5 | 71.12 | 68.58 | 11.94 | 8.13 |
| ----- | ----- | 87898-2866 | ----- | ----- | ----- | 28 | ---- | 6 | 71.12 | 68.58 | 11.94 | 8.13 |
| ----- | ----- | 87898-2961 | ----- | ----- | ----- | 29 | ---- | 1 | 73.66 | 71.12 | 11.94 | 8.13 |
| ----- | ----- | 87898-2962 | ----- | ----- | ----- | 29 | ---- | 2 | 73.66 | 71.12 | 11.94 | 8.13 |
| ----- | ----- | 87898-2964 | ----- | ----- | ----- | 29 | ---- | 4 | 73.66 | 71.12 | 11.94 | 8.13 |
| ----- | ----- | 87898-2965 | ----- | ----- | ----- | 29 | ---- | 5 | 73.66 | 71.12 | 11.94 | 8.13 |
| ----- | ----- | 87898-2966 | ----- | ----- | ----- | 29 | ---- | 6 | 73.66 | 71.12 | 11.94 | 8.13 |
| ----- | ----- | 87898-3061 | ----- | ----- | ----- | 30 | ---- | 1 | 76.20 | 73.66 | 11.94 | 8.13 |
| ----- | ----- | 87898-3062 | ----- | ----- | ----- | 30 | ---- | 2 | 76.20 | 73.66 | 11.94 | 8.13 |
| ----- | ----- | 87898-3064 | ----- | ----- | ----- | 30 | ---- | 4 | 76.20 | 73.66 | 11.94 | 8.13 |
| ----- | ----- | 87898-3065 | ----- | ----- | ----- | 30 | ---- | 5 | 76.20 | 73.66 | 11.94 | 8.13 |
| ----- | ----- | 87898-3066 | ----- | ----- | ----- | 30 | ---- | 6 | 76.20 | 73.66 | 11.94 | 8.13 |

| | | | | | | |
|--|-----------------|--|--|---|--------------|------------------------|
| REVISE T&R QTY EC NO: S2009-0327 2008/11/26 DRWN:SKANG 2008/11/27 CHKD:ATSEE 2008/11/27 APPR:MLONG 2008/11/28 | QUALITY SYMBOLS | GENERAL TOLERANCES (UNLESS SPECIFIED) | DIMENSION STYLE | SCALE | DESIGN UNITS | THIRD ANGLE PROJECTION |
| | = 0 = 0 | mm INCH | MM ONLY | NTS | METRIC | |
| | | 4 PLACES ± --- ± --- 3 PLACES ± --- ± --- 2 PLACES ± 0.2 ± --- 1 PLACE ± --- ± --- ANGULAR ± 3 ° | DRAWN BY SKLIM01 DATE 2005/10/26 CHECKED BY NAGESHKN DATE 2005/10/30 APPROVED BY PTLIM DATE 2005/11/07 | TITLE CUSTOM HEADER 2.54MM PITCH SINGLE ROW SINGLE WAFER SMT HEADER | | |
| | | DRAFT WHERE APPLICABLE MUST REMAIN WITHIN DIMENSIONS | MATERIAL NO. SEE TABLE SIZE A3 THIS DRAWING CONTAINS INFORMATION THAT IS PROPRIETARY TO MOLEX INCORPORATED AND SHOULD NOT BE USED WITHOUT WRITTEN PERMISSION | MOLEX INCORPORATED DOCUMENT NO. SD-87898-003 SHEET NO. 13 OF 17 | | |

| PACKAGING OPTION PART NO. | | | | | | CKT SIZE | VOID POSITION | PLATING TYPE | DIMENSION | | | |
|---------------------------|--------------|------------------|---------------|-------------------------|----------------------|----------|---------------|--------------|-----------|-------|-------|------|
| TRY WITHOUT CAP | TRY WITH CAP | TUBE WITHOUT CAP | TUBE WITH CAP | TAPE & REEL WITHOUT CAP | TAPE & REEL WITH CAP | | | | A | B | F | M |
| ----- | ----- | 87898-3461 | ----- | ----- | ----- | 34 | ---- | 1 | 86.36 | 83.82 | 11.94 | 8.13 |
| ----- | ----- | 87898-3462 | ----- | ----- | ----- | 34 | ---- | 2 | 86.36 | 83.82 | 11.94 | 8.13 |
| ----- | ----- | 87898-3464 | ----- | ----- | ----- | 34 | ---- | 4 | 86.36 | 83.82 | 11.94 | 8.13 |
| ----- | ----- | 87898-3465 | ----- | ----- | ----- | 34 | ---- | 5 | 86.36 | 83.82 | 11.94 | 8.13 |
| ----- | ----- | 87898-3466 | ----- | ----- | ----- | 34 | ---- | 6 | 86.36 | 83.82 | 11.94 | 8.13 |
| ----- | ----- | 87898-3561 | ----- | ----- | ----- | 35 | ---- | 1 | 88.90 | 86.36 | 11.94 | 8.13 |
| ----- | ----- | 87898-3562 | ----- | ----- | ----- | 35 | ---- | 2 | 88.90 | 86.36 | 11.94 | 8.13 |
| ----- | ----- | 87898-3564 | ----- | ----- | ----- | 35 | ---- | 4 | 88.90 | 86.36 | 11.94 | 8.13 |
| ----- | ----- | 87898-3565 | ----- | ----- | ----- | 35 | ---- | 5 | 88.90 | 86.36 | 11.94 | 8.13 |
| ----- | ----- | 87898-3566 | ----- | ----- | ----- | 35 | ---- | 6 | 88.90 | 86.36 | 11.94 | 8.13 |
| ----- | ----- | 87898-3661 | ----- | ----- | ----- | 36 | ---- | 1 | 91.44 | 88.90 | 11.94 | 8.13 |
| ----- | ----- | 87898-3662 | ----- | ----- | ----- | 36 | ---- | 2 | 91.44 | 88.90 | 11.94 | 8.13 |
| ----- | ----- | 87898-3664 | ----- | ----- | ----- | 36 | ---- | 4 | 91.44 | 88.90 | 11.94 | 8.13 |
| ----- | ----- | 87898-3665 | ----- | ----- | ----- | 36 | ---- | 5 | 91.44 | 88.90 | 11.94 | 8.13 |
| ----- | ----- | 87898-3666 | ----- | ----- | ----- | 36 | ---- | 6 | 91.44 | 88.90 | 11.94 | 8.13 |

| REVISE T&R QTY EC NO: S2009-0327 2008/11/26 DRWN:SKANG 2008/11/27 CHKD:ATSEE 2008/11/27 APPR:MLONG 2008/11/28 | QUALITY SYMBOLS =0 =0.2 | GENERAL TOLERANCES (UNLESS SPECIFIED) <table border="1"> <tr><th colspan="2">mm</th><th>INCH</th></tr> <tr><td>4 PLACES</td><td>± ---</td><td>± ---</td></tr> <tr><td>3 PLACES</td><td>± ---</td><td>± ---</td></tr> <tr><td>2 PLACES</td><td>± 0.2</td><td>± ---</td></tr> <tr><td>1 PLACE</td><td>± ---</td><td>± ---</td></tr> </table> | mm | | INCH | 4 PLACES | ± --- | ± --- | 3 PLACES | ± --- | ± --- | 2 PLACES | ± 0.2 | ± --- | 1 PLACE | ± --- | ± --- | DIMENSION STYLE MM ONLY | SCALE NTS | DESIGN UNITS METRIC | THIRD ANGLE PROJECTION |
|--|--------------------------------------|--|--|----------------------------------|-------------------------------------|------------------------------|-------|-------|----------|-------|-------|----------|-------|-------|---------|-------|-------|--|---------------------|-------------------------------|-------------------------------|
| | mm | | INCH | | | | | | | | | | | | | | | | | | |
| | 4 PLACES | ± --- | ± --- | | | | | | | | | | | | | | | | | | |
| | 3 PLACES | ± --- | ± --- | | | | | | | | | | | | | | | | | | |
| 2 PLACES | ± 0.2 | ± --- | | | | | | | | | | | | | | | | | | | |
| 1 PLACE | ± --- | ± --- | | | | | | | | | | | | | | | | | | | |
| DESCRIPTION B2 | DRAWN BY SKLIM01 | DATE 2005/10/26 | TITLE CUSTOM HEADER 2.54MM PITCH SINGLE ROW SINGLE WAFER SMT HEADER | MATERIAL NO. SEE TABLE | DOCUMENT NO. SD-87898-003 | SHEET NO. 15 OF 17 | | | | | | | | | | | | | | | |
| APPROVED BY PTLIM | DATE 2005/11/07 | MOLEX INCORPORATED | THIS DRAWING CONTAINS INFORMATION THAT IS PROPRIETARY TO MOLEX INCORPORATED AND SHOULD NOT BE USED WITHOUT WRITTEN PERMISSION | | | | | | | | | | | | | | | | | | |
| DRAFT WHERE APPLICABLE MUST REMAIN WITHIN DIMENSIONS | | | | | | | | | | | | | | | | | | | | | |

PACKAGING OPTION PART NO.

| F | TRY WITHOUT CAP | TRY WITH CAP | TUBE WITHOUT CAP | TUBE WITH CAP | TAPE & REEL WITHOUT CAP | TAPE & REEL WITH CAP | CKT SIZE | VOID POSITION | PLATING TYPE | DIMENSION | | | |
|---|-----------------|--------------|------------------|---------------|-------------------------|----------------------|----------|---------------|--------------|-----------|-------|-------|------|
| | A | B | F | M | | | | | | | | | |
| | ----- | ----- | 87898-3761 | ----- | ----- | ----- | 37 | ---- | 1 | 93.98 | 91.44 | 11.94 | 8.13 |
| | ----- | ----- | 87898-3762 | ----- | ----- | ----- | 37 | ---- | 2 | 93.98 | 91.44 | 11.94 | 8.13 |
| | ----- | ----- | 87898-3764 | ----- | ----- | ----- | 37 | ---- | 4 | 93.98 | 91.44 | 11.94 | 8.13 |
| | ----- | ----- | 87898-3765 | ----- | ----- | ----- | 37 | ---- | 5 | 93.98 | 91.44 | 11.94 | 8.13 |
| | ----- | ----- | 87898-3766 | ----- | ----- | ----- | 37 | ---- | 6 | 93.98 | 91.44 | 11.94 | 8.13 |
| | | | | | | | | | | | | | |
| | ----- | ----- | 87898-3861 | ----- | ----- | ----- | 38 | ---- | 1 | 96.52 | 93.98 | 11.94 | 8.13 |
| | ----- | ----- | 87898-3862 | ----- | ----- | ----- | 38 | ---- | 2 | 96.52 | 93.98 | 11.94 | 8.13 |
| | ----- | ----- | 87898-3864 | ----- | ----- | ----- | 38 | ---- | 4 | 96.52 | 93.98 | 11.94 | 8.13 |
| | ----- | ----- | 87898-3865 | ----- | ----- | ----- | 38 | ---- | 5 | 96.52 | 93.98 | 11.94 | 8.13 |
| | ----- | ----- | 87898-3866 | ----- | ----- | ----- | 38 | ---- | 6 | 96.52 | 93.98 | 11.94 | 8.13 |
| | | | | | | | | | | | | | |
| | ----- | ----- | 87898-3961 | ----- | ----- | ----- | 39 | ---- | 1 | 99.06 | 96.52 | 11.94 | 8.13 |
| | ----- | ----- | 87898-3962 | ----- | ----- | ----- | 39 | ---- | 2 | 99.06 | 96.52 | 11.94 | 8.13 |
| | ----- | ----- | 87898-3964 | ----- | ----- | ----- | 39 | ---- | 4 | 99.06 | 96.52 | 11.94 | 8.13 |
| | ----- | ----- | 87898-3965 | ----- | ----- | ----- | 39 | ---- | 5 | 99.06 | 96.52 | 11.94 | 8.13 |
| | ----- | ----- | 87898-3966 | ----- | ----- | ----- | 39 | ---- | 6 | 99.06 | 96.52 | 11.94 | 8.13 |

| | | | | | | |
|--|-----------------|--|--|---------------------------|---|------------------------|
| REVISE T&R QTY EC NO: S2009-0327 DRWN:SKANG 2008/11/26 CHKD:ATSEE 2008/11/27 APPR:MLONG 2008/11/28 | QUALITY SYMBOLS | GENERAL TOLERANCES (UNLESS SPECIFIED) | DIMENSION STYLE | SCALE | DESIGN UNITS | THIRD ANGLE PROJECTION |
| | ▽=0 □=0 | mm INCH | MM ONLY | NTS | METRIC | |
| | | 4 PLACES ± --- ± --- 3 PLACES ± --- ± --- 2 PLACES ± 0.2 ± --- 1 PLACE ± --- ± --- ANGULAR ± 3 ° | DRAWN BY SKLIM01 DATE 2005/10/26 CHECKED BY NAGESHKN DATE 2005/10/30 APPROVED BY PTLIM DATE 2005/11/07 | TITLE | CUSTOM HEADER 2.54MM PITCH SINGLE ROW SINGLE WAFER SMT HEADER | |
| | | DRAFT WHERE APPLICABLE MUST REMAIN WITHIN DIMENSIONS | MATERIAL NO. SEE TABLE | DOCUMENT NO. SD-87898-003 | SHEET NO. 16 OF 17 | |

PACKAGING OPTION PART NO.

| TRY WITHOUT CAP | TRY WITH CAP | TUBE WITHOUT CAP | TUBE WITH CAP | TAPE & REEL WITHOUT CAP | TAPE & REEL WITH CAP | CKT SIZE | VOID POSITION | PLATING TYPE | DIMENSION | | | |
|-----------------|--------------|------------------|---------------|-------------------------|----------------------|----------|---------------|--------------|-----------|-------|-------|------|
| | | | | | | | | | A | B | F | M |
| ----- | ----- | 87898-4061 | ----- | ----- | ----- | 40 | ----- | 1 | 101.6 | 99.06 | 11.94 | 8.13 |
| ----- | ----- | 87898-4062 | ----- | ----- | ----- | 40 | ----- | 2 | 101.6 | 99.06 | 11.94 | 8.13 |
| ----- | ----- | 87898-4064 | ----- | ----- | ----- | 40 | ----- | 4 | 101.6 | 99.06 | 11.94 | 8.13 |
| ----- | ----- | 87898-4065 | ----- | ----- | ----- | 40 | ----- | 5 | 101.6 | 99.06 | 11.94 | 8.13 |
| ----- | ----- | 87898-4066 | ----- | ----- | ----- | 40 | ----- | 6 | 101.6 | 99.06 | 11.94 | 8.13 |

| | | | | | | | | | | |
|---|-----------------|---------------------------------------|-------|---|-------------|--------------|--|------------------------|--|--|
| REVISE T&R QTY EC NO: S2009-0327 DRWN:SKANG CHKD:ATSEE APPR:MLONG 2008/11/26 2008/11/27 2008/11/28 | QUALITY SYMBOLS | GENERAL TOLERANCES (UNLESS SPECIFIED) | | DIMENSION STYLE MM ONLY | | SCALE NTS | DESIGN UNITS METRIC | THIRD ANGLE PROJECTION | | |
| | ▽=0 □=0 | 4 PLACES | ± --- | ± --- | DRAWN BY | DATE | TITLE | | | |
| | | 3 PLACES | ± --- | ± --- | CHECKED BY | DATE | CUSTOM HEADER 2.54MM PITCH SINGLE ROW SINGLE WAFER SMT HEADER | | | |
| | | 2 PLACES | ± 0.2 | ± --- | NAGESHKN | 2005/10/30 | | | | |
| | | 1 PLACE | ± --- | ± --- | APPROVED BY | DATE | MOLEX INCORPORATED MATERIAL NO. SD-87898-003 DOCUMENT NO. 17 OF 17 | | | |
| ANGULAR ± 3 ° | | | | PTLIM | 2005/11/07 | | | | | |
| DRAFT WHERE APPLICABLE MUST REMAIN WITHIN DIMENSIONS | | SEE TABLE | | THIS DRAWING CONTAINS INFORMATION THAT IS PROPRIETARY TO MOLEX INCORPORATED AND SHOULD NOT BE USED WITHOUT WRITTEN PERMISSION | | | | | | |