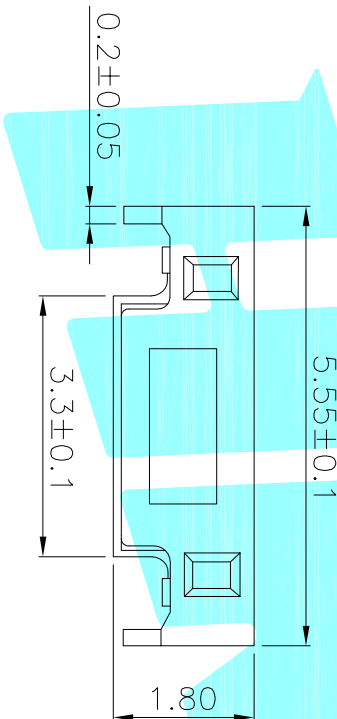
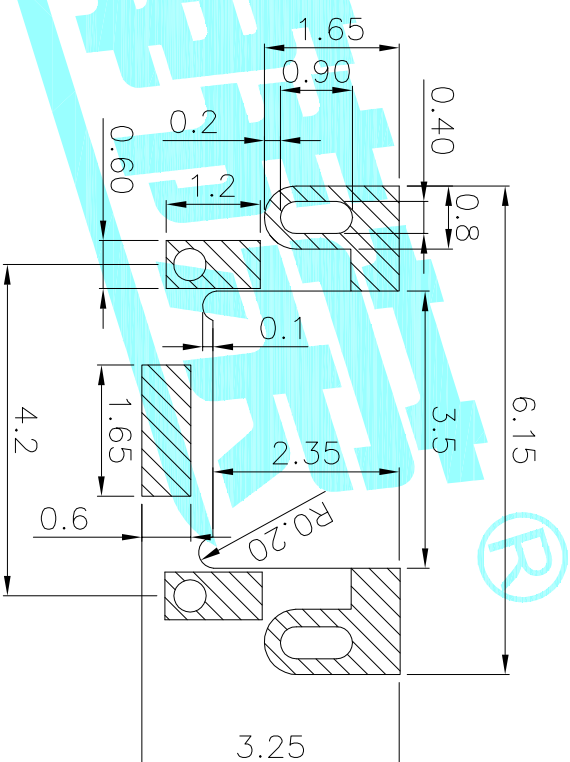
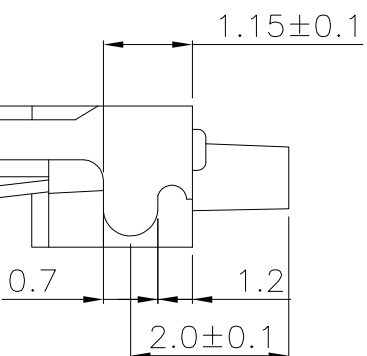
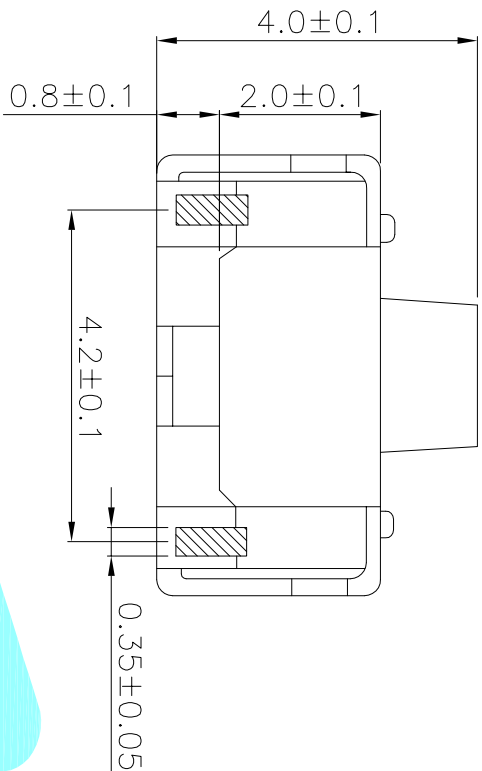


Circuit Diagram



NO.2	
PART NO	vigor
3	180±30
4	250±30

NO.4—NO.5	
PART NO	NOTE
01~99	SERIAL NUMBER

- Typical Specifications :
1. Rating : DC 12V 50mA
 2. Life:30,000 Cycles Min.

PCB Layout(Pattern Side)

ITEM	PART NAME	TER'NO.	QTY.	MATERIAL	FINISHING	REMARK
⑤	Terminal	—	2	Phosphor Bronze	Plating silver	—
④	Contact	—	2	F.Ag/SUS	—	—
③	Base	—	1	LCP	White	UL94V-0
②	Cover	—	1	Phosphor Bronze	Plating Sn	—
①	Keystroke	—	1	LCP	White	UL94V-0

APPROVALS		DATE	TITLE:	
DRAWN	JKUN/LU	2018/8/1	TACT SWITCHS	
CHECKED			ELECTRONICS CO.,LTD	

ECN NO.	REV.	DATE.	DESCRIPTION.	CHANGE.	CHECK.	APPRO.
	A		NEW			
TOLERANCES ARE 30~Ø以上 ±0.30 ANGLE 10~30 ±0.20 UNIT: mm SCALE: 1:1 5~10 ±0.15 DRAWING NO. SHEET 1 OF 1 ~5 ±0.10						