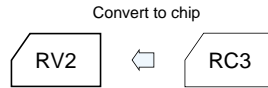


Chip Type Standard Capacitors (height:5.5mm) Series RV2

- Compatible with surface mounting for 5.5mm high capacitors.
- Supplied with carrier taping.
- Guarantees 2000 hours at 85°C.

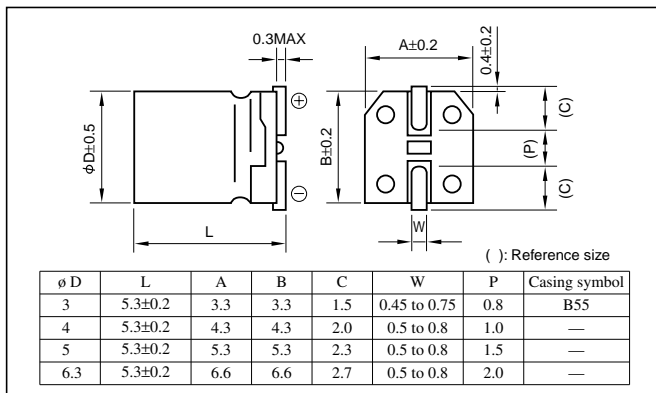


Marking color : Black print

Specifications

Item	Performance																
Category temperature range (°C)	-40 to +85																
Tolerance at rated capacitance (%)	±20 (20°C,120Hz)																
Leakage current (µA)	Less than 0.01CV or 3 whichever is larger(after 2 minutes) C: Rated capacitance(µF); V: Rated voltage(V) (20°C)																
Tangent of loss angle (tanδ)	Rated voltage (V)	4 6.3 10 16 25 35 50															
	tanδ (max.)	<table border="1"> <tr> <td>φ 3</td> <td>0.42</td> <td>0.30</td> <td>0.24</td> <td>0.22</td> <td>0.16</td> <td>0.14</td> <td>0.12</td> </tr> <tr> <td>φ 4 to φ 6.3</td> <td>0.42</td> <td>0.28</td> <td>0.24</td> <td>0.20</td> <td>0.14</td> <td>0.12</td> <td>0.10</td> </tr> </table>	φ 3	0.42	0.30	0.24	0.22	0.16	0.14	0.12	φ 4 to φ 6.3	0.42	0.28	0.24	0.20	0.14	0.12
φ 3	0.42	0.30	0.24	0.22	0.16	0.14	0.12										
φ 4 to φ 6.3	0.42	0.28	0.24	0.20	0.14	0.12	0.10										
Characteristics at high and low temperature	Impedance ratio (max.)	Rated voltage (V)	4 6.3 10 16 25 35 50														
		φ 3	Z-25°C / Z+20°C	7 4 3 2 2 2 2													
			Z-40°C / Z+20°C	17 10 8 6 4 3 3													
		φ 4 to φ 6.3	Z-25°C / Z+20°C	7 3 3 2 2 2 2													
Z-40°C / Z+20°C	15 8 5 4 3 3 3																
Endurance (85°C) (Applied ripple current)	Test time	2000 hours (φ 3:1000 hours)															
	Leakage current	The initial specified value or less															
	Percentage of capacitance change	Within ±20% of initial value (4WV: ±30%)															
	Tangent of the loss angle	200% or less of the initial specified value (4WV: 300%)															
Shelf life (85°C)	Test time : 1000 hours; other items are the same as those for the endurance. Voltage application treatment : According to JIS C5101-1																
Applicable standards	JIS C5101-1, -18 1998 (IEC 60384-1 1992, -18 1993)																

Outline Drawing



- Soldering conditions and land size are described on page 14.
- The taping specifications are described on page 15.

Coefficient of Frequency for Rated Ripple Current

Rated voltage(V)	Frequency(Hz)			
	50 · 60	120	1k	10k · 100k
4 to 16	0.80	1	1.15	1.25
25 to 35	0.80	1	1.25	1.40
50	0.80	1	1.35	1.50

Part numbering system

Environmental item	• φ3 (example: 16V10µF) RV2 — 16 V 100 M B55 U —						
	Series code	Rated voltage symbol	Rated capacitance symbol	Capacitance tolerance symbol	Casing symbol	Additional symbol	Taping symbol
Former item	• φ4 to φ6.3 (example: 16V47µF) RV2 — 16 V 470 M U —						
	Series code	Rated voltage symbol	Rated capacitance symbol	Capacitance tolerance symbol	Additional symbol	Taping symbol	
Former item	• φ3 (example: 16V10µF) RV2 — 16 V 100 M B55 U —						
	Series code	Rated voltage symbol	Rated capacitance symbol	Capacitance tolerance symbol	Casing symbol	Additional symbol	Taping symbol
Former item	• φ4 to φ6.3 (example: 16V47µF) RV2 — 16 V 470 M U —						
	Series code	Rated voltage symbol	Rated capacitance symbol	Capacitance tolerance symbol	Additional symbol	Taping symbol	

- For 16V 100µF, "S" is suffixed to the tolerance, as MS□-□-□

Standard Ratings

Rated capacitance (µF)	4				6.3				10				16				25				35				50			
	Case φ D(mm)	Casing symbol	ESR Ω	Rated ripple current mArms	Case φ D(mm)	Casing symbol	ESR Ω	Rated ripple current mArms	Case φ D(mm)	Casing symbol	ESR Ω	Rated ripple current mArms	Case φ D(mm)	Casing symbol	ESR Ω	Rated ripple current mArms	Case φ D(mm)	Casing symbol	ESR Ω	Rated ripple current mArms	Case φ D(mm)	Casing symbol	ESR Ω	Rated ripple current mArms	Case φ D(mm)	Casing symbol	ESR Ω	Rated ripple current mArms
0.1	—	—	—	—	—	—	—	—	—	—	—	—	—	—	—	—	—	—	—	—	—	—	—	—	—	—	—	—
0.22	—	—	—	—	—	—	—	—	—	—	—	—	—	—	—	—	—	—	—	—	—	—	—	—	—	—	—	—
0.33	—	—	—	—	—	—	—	—	—	—	—	—	—	—	—	—	—	—	—	—	—	—	—	—	—	—	—	—
0.47	—	—	—	—	—	—	—	—	—	—	—	—	—	—	—	—	—	—	—	—	—	—	—	—	—	—	—	—
1	—	—	—	—	—	—	—	—	—	—	—	—	—	—	—	—	—	—	—	—	—	—	—	—	—	—	—	—
2.2	—	—	—	—	—	—	—	—	—	—	—	—	—	—	—	—	—	—	—	—	—	—	—	—	—	—	—	—
3.3	—	—	—	—	—	—	—	—	—	—	—	—	—	—	—	—	—	—	—	—	—	—	—	—	—	—	—	—
4.7	—	—	—	—	—	—	—	—	—	—	—	—	—	—	—	—	—	—	—	—	—	—	—	—	—	—	—	—
10	—	—	—	—	—	—	—	—	4	—	40	23	3	B55	37	18	5	—	23	32	5	—	20	34	6.3	—	17	44
22	3	B55	32	14	4	—	21	31	5	—	18	39	4	—	33	26	6.3	—	11	55	6.3	—	9.1	59	—	—	—	—
33	4	—	21	31	5	—	14	44	5	—	12	48	6.3	—	15	44	6.3	—	7.0	67	—	—	—	—	—	—	—	—
47	4	—	15	37	5	—	10	52	6.3	—	8.5	67	6.3	—	7.1	75	—	—	—	—	—	—	—	—	—	—	—	—
100	5	—	7.0	63	6.3	—	5.0	89	6.3	—	4.0	98	6.3	—	3.3	103	—	—	—	—	—	—	—	—	—	—	—	—
220	6.3	—	3.2	110	—	—	—	—	—	—	—	—	—	—	—	—	—	—	—	—	—	—	—	—	—	—	—	—

(Note) Rated ripple current : 85°C, 120Hz ; ESR : 20°C, 120Hz

NOTE

Design, Specifications are subject to change without notice. Ask factory for technical specifications before purchase and/or use.

Mouser Electronics

Authorized Distributor

Click to View Pricing, Inventory, Delivery & Lifecycle Information:

Elna:

[RV2-50VR47MU-R](#) [RV2-16V100MU-R](#) [RV2-50V100MU-R](#) [RV2-25V4R7MB55U-R](#) [RV2-50V4R7MU-R](#) [RV2-50V3R3MU-R](#)