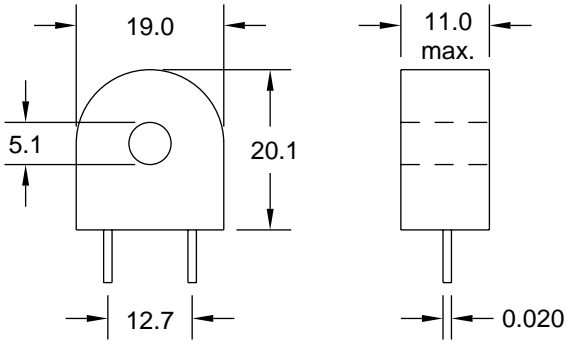


Current Sensors

Special Features

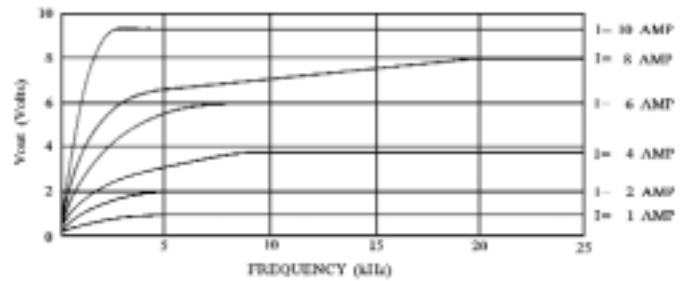
- High accuracy
- Coil encapsulated in plastic case
- Fixed lead spacing



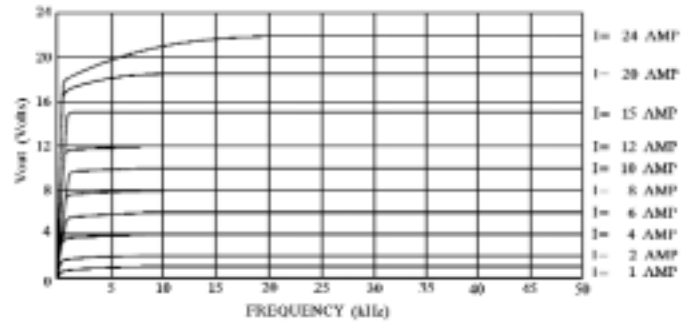
Dim: mm

| 7200 Series | | | | | | |
|-------------|-------------|-------------------|--------------------------|------------|------------------|-----------------------|
| Part Number | I Range (A) | Freq. Range (KHz) | Load Resis. (Ω) | Sec. Turns | Sec. L (mH) Min. | Sec. DCR (Ω) |
| 7201 | 2 - 10 | 5 - 50 | 50 | 50 | 5 | 0.7 |
| 7202 | 2 - 20 | 5 - 50 | 100 | 100 | 20 | 1.4 |
| 7203 | 2 - 35 | 1 - 100 | 200 | 200 | 80 | 3.8 |

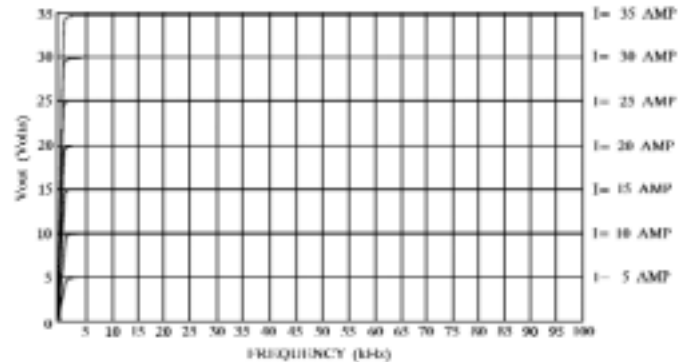
7201



7202



7303



J.W. Miller
MAGNETICS

306 E. Alondra Blvd., Gardena, CA 90247-1059 • (310) 515-1720 • FAX (310) 515-1962

www.jwmiller.com