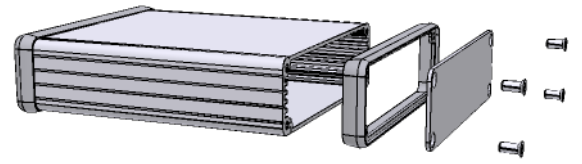
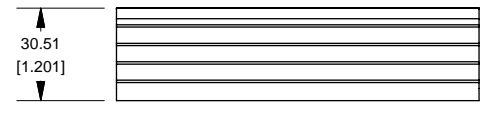
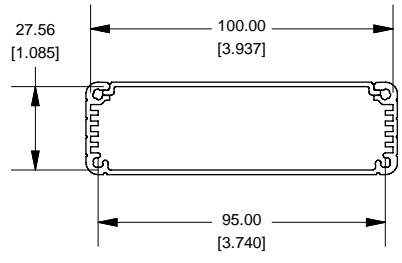
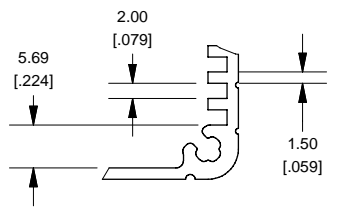


Extrusion

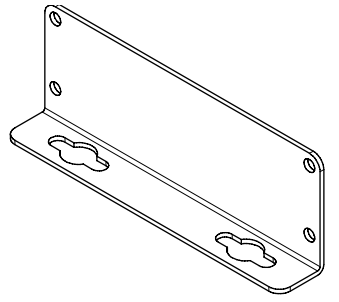
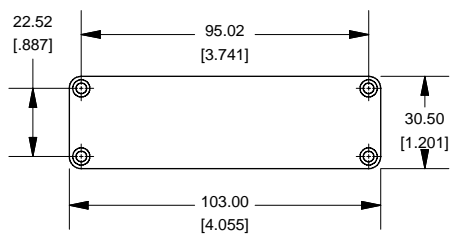


EXTRUSION DESIGNED FOR 100MM WIDE PC BOARD

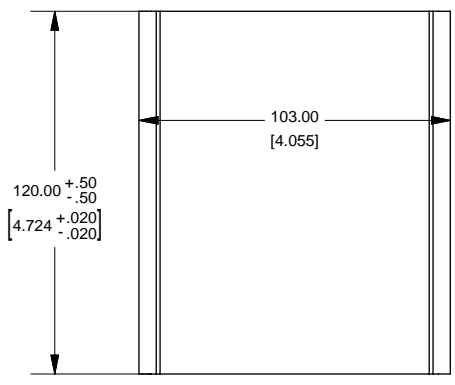
Slot Details



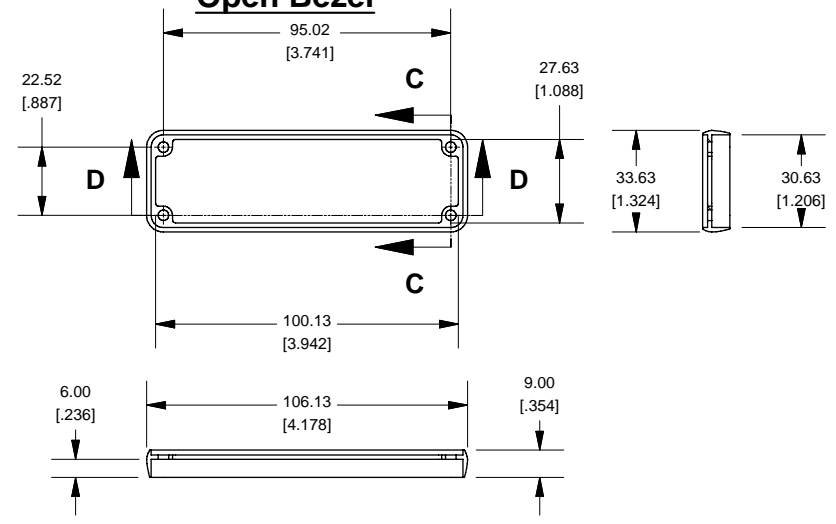
End Plate



OPTIONAL FLANGE END PANELS 1455LF



Open Bezel



NOTE
 Purchased assembly includes box, plastic bezels, end panels, #6 Taptight screws and self adhesive rubber feet.
 Box made from Extruded Aluminum 6063.
 Bezels made with polycarbonate.

| 1455L1201 | |
|------------------------------|-------------|
| PART NUMBERS | |
| Clear Anodized | 1455L1201 |
| Black Anodized | 1455L1201BK |
| ACCESSORIES | |
| See website for accessories. | |

1455L1201
www.hammondmfg.com

Enclosures can be Factory Modified (Milling, Drilling, Printing etc.)
 Solid models of this enclosure available in STEP or IGES.
 Contact Factory mjm@hammondmfg.com