

6

5

4

3

2

1

MATERIAL AND FINISH:

Insulator: Polycarbonate, UL-94V-0 rated
Contacts: Brass, Nickel plated

ELECTRICAL SPECIFICATIONS:

Current rating: 10 A
Voltage rating: 250 VAC
Insulation resistance: 100 Mohm min. at 500 VDC
Dielectric withstanding voltage: 2000 VAC for one minute

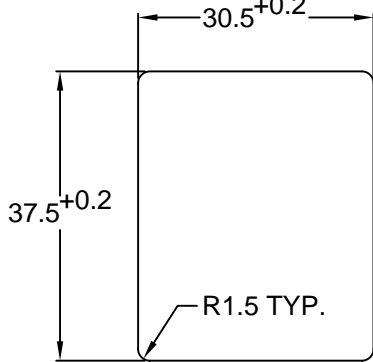
ORDERING CODE:

42R35-3 2 -
 1 2 3

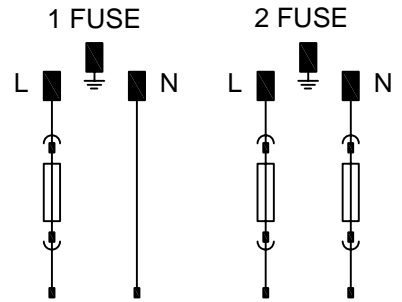
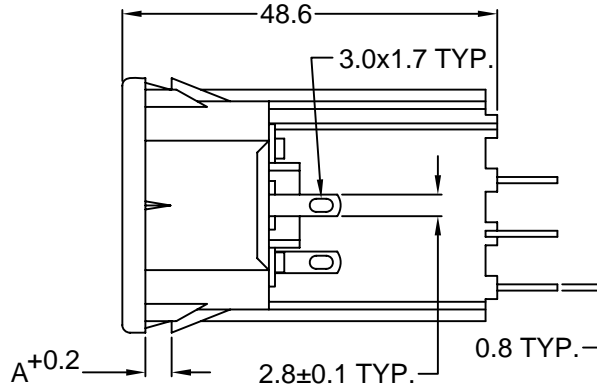
- 1) COLOR
1 = BLACK
2 = GRAY

2) ELECTRICAL CIRCUIT CONFIGURATION

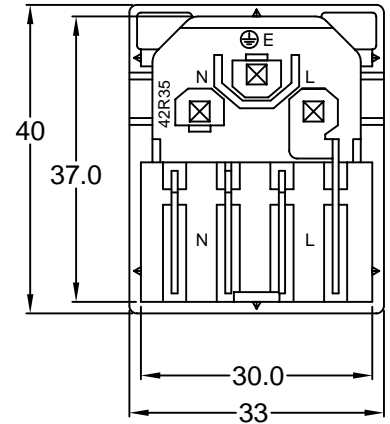
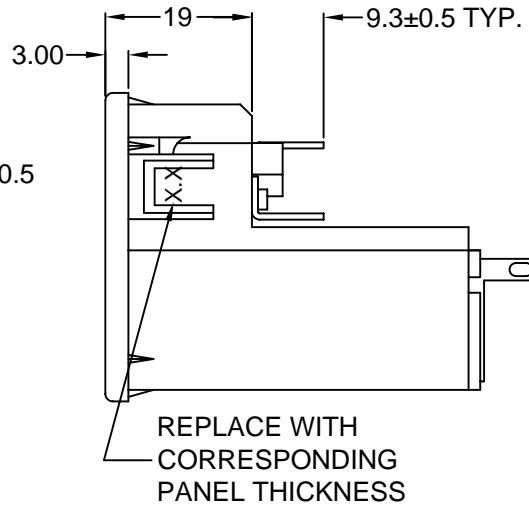
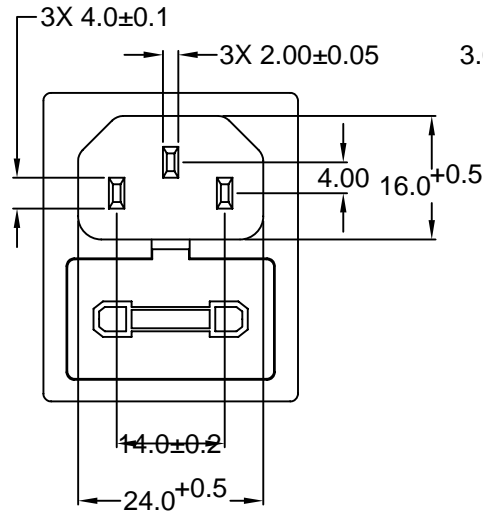
- 1 = 10A 250V 70°C
2+GROUND 1 FUSE
- 2 = 10A 250V 70°C
2+GROUND 2 FUSE
- 4 = 10A 250V 120°C
2+GROUND 2 FUSE
- 5 = 10A 250V 70°C
2 - 1 FUSE
- 6 = 10A 250V 70°C
2 - 2 FUSE



RECOMMENDED PANEL CUTOUT



CIRCUIT



3) PANEL THICKNESS

P/N	A	MAX. PANEL THICKNESS
42R35-3X2X-150	1.5	1.5
42R35-3X2X-200	2.0	2.0

ADDITIONAL PANEL THICKNESS AVAILABLE ON REQUEST

RoHS COMPLIANT

TOLERANCE UNLESS OTHERWISE SPECIFIED	
X	± 1
X.X	± 0.4
X.XX	± 0.20
DRAWN BY	GQ
DATE:	09/18/01
CHECK BY	TD
DATE:	09/19/01
APPR BY	PB
DATE:	09/19/01

Power Dynamics, Inc.
Phone: 973 560-0019 Whippany, New Jersey Fax: 973 560-0076

PART: IEC 60320 COMBINATION FUSE HOLDER
APPL. INLET, SOLDER TERMINALS; SNAP-IN

PART #: **42R35-3X2X-XXX** SHEET 1 of 1

SCALE: NTS ALL DIMENSIONS FOR REFERENCE ONLY DIMENSIONS ARE IN MILLIMETERS REV:

REVISIONS	CHANGE	CHNG	CHK	APPR
REV	DATE			

6

5

4

3

2

1