

# INTEGRATED CONNECTOR MODULES

## Gigabit belStack™ with LEDs

BM01816

- Dual port shielded RJ-45 connector with integrated Gigabit Ethernet magnetics
- Compatible with a variety of Gigabit Ethernet transceiver ICs and 10/100Base-TX transceiver ICs
- Operating temperature 0° to +70° C
- Storage temperature -40° to +85° C
- Complies with IEEE 802.3ab standards and all Gigabit Ethernet specifications
- Integrated design conserves valuable board space
- Minimum interwinding breakdown voltage of 1500 Vrms
- Adaptable, modular design provides higher reliability

### ELECTRICAL SPECIFICATIONS AT 25° C

Part Number	Insertion Loss dB max		Return Loss dB min		Common to Differential Mode Rejection dB min	Common to Common Mode Rejection dB min	Crosstalk dB min	Hipot Vrms min
	0.1MHz to 100MHz	100MHz to 125MHz	0.5MHz to 40MHz	40MHz to 100MHz	100KHz to 100MHz	100KHz to 100MHz		
0843-2B1T-33	-0.8	-1.2	-18	-12 + 20 log (f/80 MHz)	-35	-30	-33 + 20 log (f/100MHz)	1500
0843-2C1T-33	-0.8	-1.2	-18	-12 + 20 log (f/80 MHz)	-35	-30	-33 + 20 log (f/100MHz)	1500

Part Number	LED*				
	Color	Polarity			
		Pin 10	Pin 11	Pin 12	
0843-2B1T-33	3-wire, bi-color green/orange	Green	+	-	
		Orange	-	+	
0843-2C1T-33	3-wire, bi-color green/yellow	Green	+	-	
		Yellow	-	+	

\*One 3-wire, bi-color LED per port

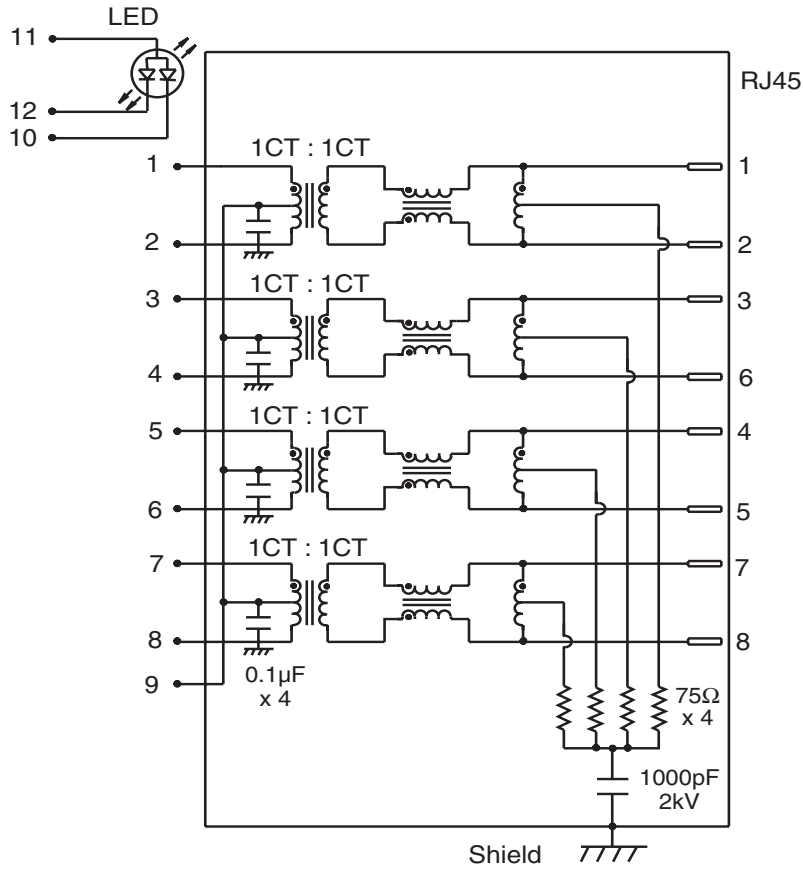
#### Available Options

- Various transformer turns ratios
- Various high voltage capacitor values
- Various LED color combinations

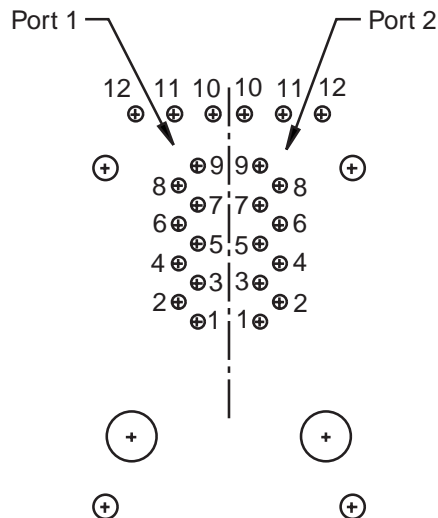
BM01816

**SCHEMATIC**

0843-2B1T-33  
0843-2C1T-33



Pin Out Information  
Component Side View



# INTEGRATED CONNECTOR MODULES

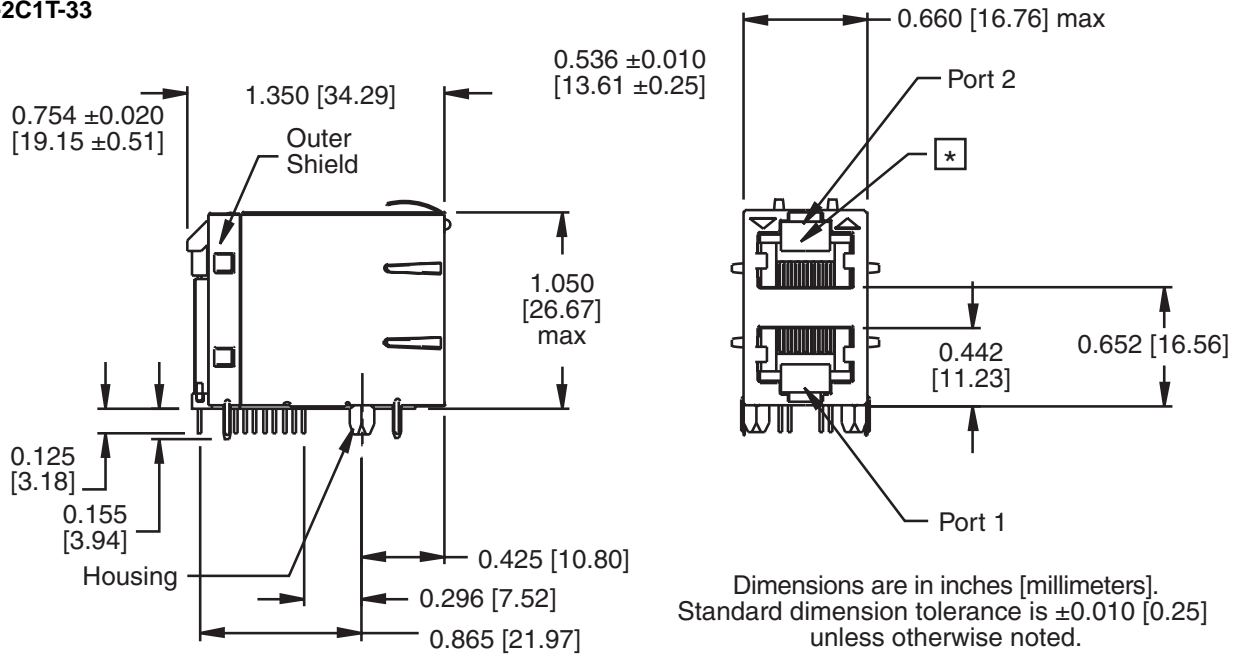
## Gigabit belStack™ with LEDs



BM01816

### MECHANICAL

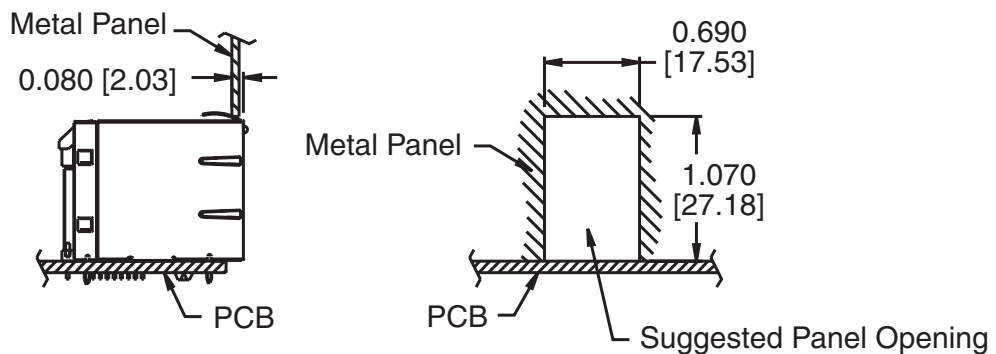
0843-2B1T-33  
0843-2C1T-33



#### Notes

Plastic Housing	Thermoplastic, flammability rating UL 94V-0
Contacts	50 micro-inch hard gold plating
Pins	Tin-coated copper wire, DIA 0.018" [0.46]
Solderability	Per MIL Std. 202, Method 208
Metal Shield	Tin lead copper alloy

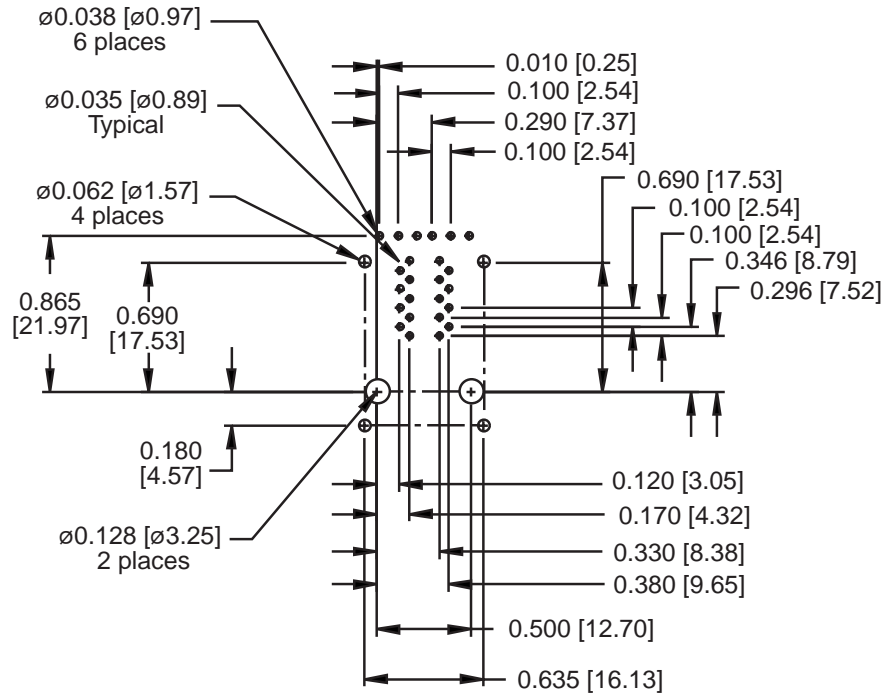
\*Jack cavity conforms to FCC rules and regulations, part 68, subpart F.



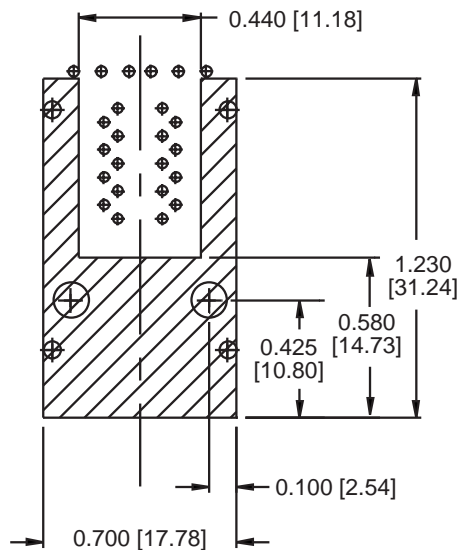
BM01816

#### PAD LAYOUT

0843-2B1T-33  
0843-2C1T-33



Suggested PCB Pad Layout  
Component Side View



#### Notes

The shaded area of bottom side of part may be covered by metal shield.

©2002 Bel Fuse Inc. Specifications subject to change without notice. 10.02

#### CORPORATE

Bel Fuse Inc.  
206 Van Vorst Street  
Jersey City, NJ 07302  
Tel 201-432-0463  
Fax 201-432-9542  
www.belfuse.com

#### FAR EAST

Bel Fuse Ltd.  
8F / 8 Luk Hop Street  
San Po Kong  
Kowloon, Hong Kong  
Tel 852-2328-5515  
Fax 852-2352-3706  
www.belfuse.com

#### EUROPE

Bel Fuse Europe Ltd.  
Preston Technology Management Centre  
Marsh Lane, Suite G7, Preston  
Lancashire, PR1 8UD, U.K.  
Tel 44-1772-556601  
Fax 44-1772-888366  
www.belfuse.com