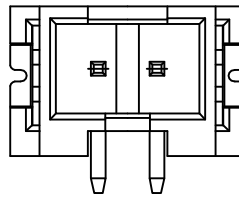
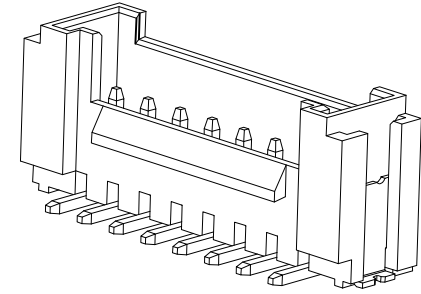


3P~16P



2P

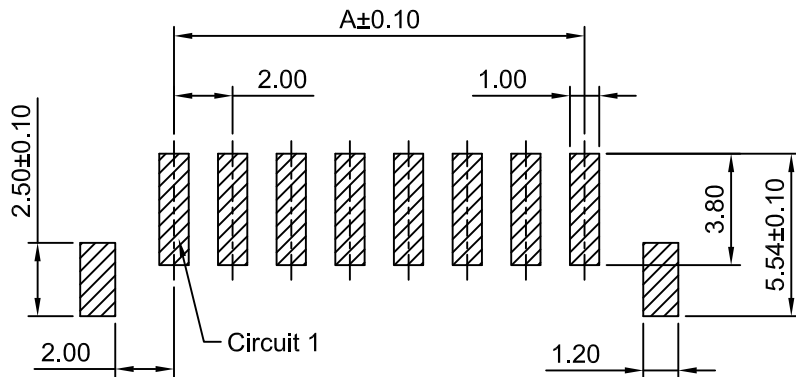
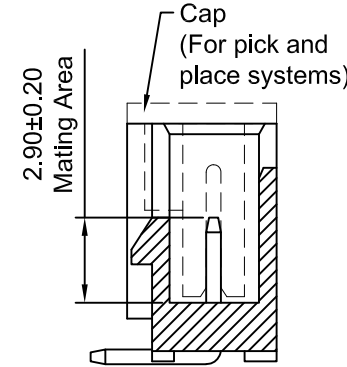
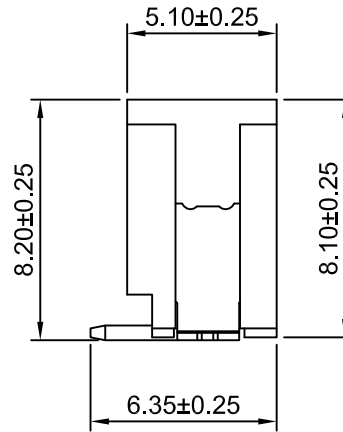
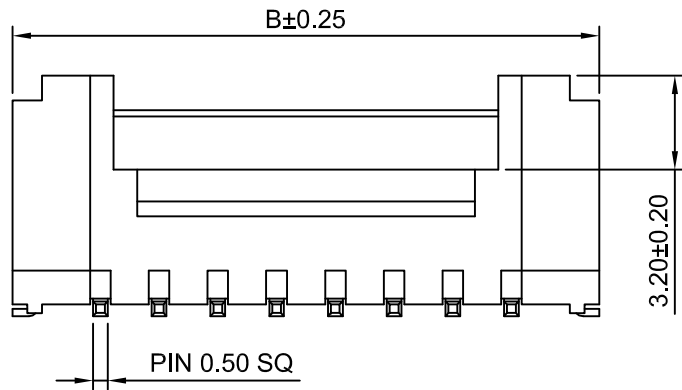


SPECIFICATIONS:

Current Rating: 2A AC,DC
 Voltage Rating: 250V AC,DC
 Temperature Range: -25°C ~ +105°C
 Contact Resistance: 20mΩ Max.
 Insulation Resistance: 1000MΩ Min.
 Withstanding Voltage: 1000V AC/minute
 PIN Material: Brass/Tin over Nickel
 Solder Tabs: Phosphor Bronze/Tin over Nickel
 Material: LCP UL94V-0(Beige)

Ordering Information & Dimensions

Part NO.	Dimensions(mm)	
	A	B
A2008WV-S-2P	2.00	8.00
A2008WV-S-3P	4.00	10.00
A2008WV-S-4P	6.00	12.00
A2008WV-S-5P	8.00	14.00
A2008WV-S-6P	10.00	16.00
A2008WV-S-7P	12.00	18.00
A2008WV-S-8P	14.00	20.00
A2008WV-S-9P	16.00	22.00
A2008WV-S-10P	18.00	24.00
A2008WV-S-11P	20.00	26.00
A2008WV-S-12P	22.00	28.00
A2008WV-S-13P	24.00	30.00
A2008WV-S-14P	26.00	32.00
A2008WV-S-15P	28.00	34.00
A2008WV-S-16P	30.00	36.00



P.C.B LAYOUT
TOLERANCE:±0.05

CJTconn CHANGJIANG CONNECTORS CO.,LTD.

Unit	Scale	Sheet
mm	4:1	1 of 1
DRWN	CHK'D	APPR
Dengchun Yi	Diankui Wan	Jack Yin
General Tolerances		THIRD ANGLE PROJECTION
x,xx±0.25		
x,xxx±0.20		
x,xxxx±0.15		
ANGLES	±1°	

TITLE		
2.00mm PITCH 180° WAFER - SMD TYPE		
DRAWING NO.		REV
A2008WV-S-XP-LCP		A4

A4	CHANGE THE DRAWING	2021.12.23
A3	ADD THE DRAWING OF CAP	2020.07.30
A2	CHANGE THE DRAWING	2019.05.08
A1	MODIFY THE MATERIAL	2016.03.26
A0	NEW RELEASE	2013.10.12
REV	DESCRIPTION	DATE