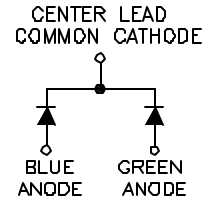
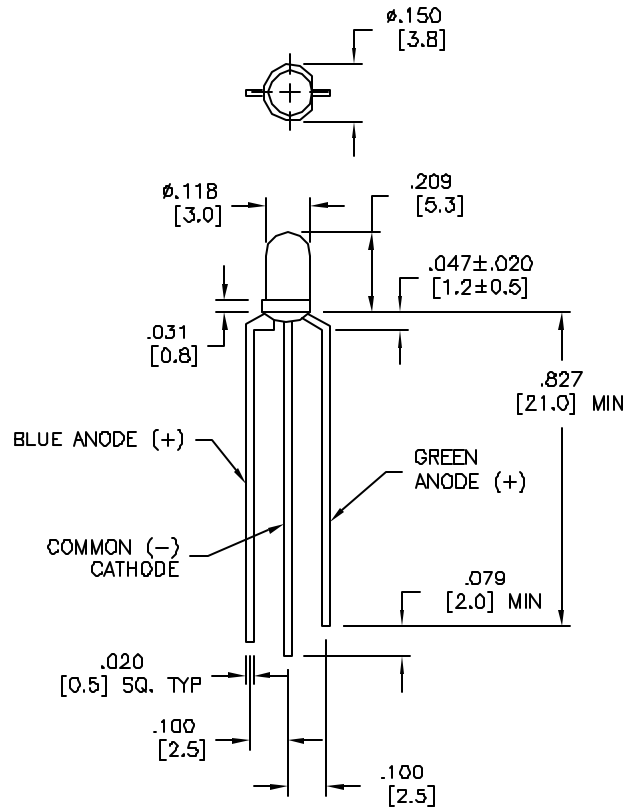


LTR	REVISION	DATE	APPD
-	RELEASED	01-20-05	



NOTES:

1. ALL DIMS ARE IN INCHES (MILLIMETERS).
2. TOLERANCE IS $\pm 0.010"$ ($\pm 0.25\text{mm}$) UNLESS OTHERWISE SPECIFIED.
3. LEAD SPACING IS MEASURED WHERE LEADS EMERGE FROM THE PACKAGE.
4. LEADS TO BE SOLDERABLE AND CAPABLE OF MEETING THE SOLDERABILITY REQUIREMENTS OF MIL-STD-202, METHOD 208.
5. MANUFACTURE DATE SHALL NOT BE OLDER THAN 26 WEEKS (6 MONTHS).

LEDTRONICS PART NO.	L.E.D. RADIATION COLOR	L.E.D. APPEARANCE	ABSOLUTE MAXIMUM RATINGS ($T_a=25^\circ\text{C}$)					ELECTRO-OPTICAL CHARACTERISTICS ($T_a=25^\circ\text{C}$)							
			P_d mW	I_f mA	I_f mA	V_r V	T_{opr} ($^\circ\text{C}$)	I_f mA	I_v med typ	$V_f=V$ typ/max	VIEW ANGLE 20/2	I_r max μA	$\Delta\lambda$ nm	$\lambda_{0.001}$ nm	λ_{Peak} nm
L120TWPBUG1K-3C	SUPER BLUE	WHITE DIFFUSED	100	100	30	5	-40 TO +80	20	150	3.5/4.0	40	100	20	-	470
	SUPER GREEN		80	100	30	5	-40 TO +80	20	150	2.2/2.6	40	100	30	-	570

T_{stg} : -40°C TO +85°C
LEAD SOLDERING TEMP: [1.6mm (.063in) FROM BODY] 260°C FOR 5 SEC.

<p>LEDTRONICS, INC. 23105 KASHIWA COURT TORRANCE, CA 90505</p>	PROPRIETARY. This document contains Proprietary Information of LEDTRONICS, INC. It may not be copied, used or disclosed for any purpose without the prior express written consent of LEDTRONICS, INC.		TITLE L120TWPBUG1K-3C			
	.XXX \pm .010 TOLERANCE PER ANSI-Y14.5 .XX \pm .025 (UNLESS OTHERWISE STATED) ANGLES \pm 0°.30" FRACT. \pm 1/32		DWG NO DSDD0151	SCALE 2:1	SHEET 1 OF 1	DATE 01-20-05
	CODE IDENT NO. 8Z410	DWG BY RM	CHK BY PL	QA GZ	MFG 02-15-05	CUSTOMER 02-15-05