

**PLEASE CHECK WWW.MOLEX.COM FOR LATEST PART INFORMATION**

**Part Number:** [0039013023](#)  
**Status:** **Active**  
**Overview:** [Mini-Fit Jr. Power Connectors](#)  
**Description:** Mini-Fit Jr. Plug Housing, Dual Row, 2 Circuits, UL 94V-2, without Panel Mounting Ears, Natural

**Documents:**

[3D Model](#) [RoHS Certificate of Compliance \(PDF\)](#)  
[Drawing \(PDF\)](#)

**Agency Certification**

CSA LR19980  
 UL E29179

**General**

Product Family Crimp Housings  
 Series [5559](#)  
 Application Power, Wire-to-Board, Wire-to-Wire  
 Comments Current = 13A max. per circuit when header is mated to a receptacle loaded with [45750](#) series terminals crimped to 16 AWG wire. . See Molex product specification PS-45750-001 for additional current derating information.  
 Overview [Mini-Fit Jr. Power Connectors](#)  
 Product Name Mini-Fit Jr.  
 UPC 800753617926

**Physical**

Breakaway No  
 Circuits (maximum) 2  
 Color - Resin Natural  
 Flammability 94V-2  
 Gender Plug  
 Glow-Wire Capable No  
 Keying to Mating Part None  
 Lock to Mating Part Yes  
 Material - Resin Nylon  
 Net Weight 0.857/g  
 Number of Rows 2  
 Packaging Type Bag  
 Panel Mount No  
 Pitch - Mating Interface 4.20mm  
 Pitch - Termination Interface 4.20mm  
 Polarized to Mating Part Yes  
 Stackable No  
 Temperature Range - Operating -40° to +105°C

**Electrical**

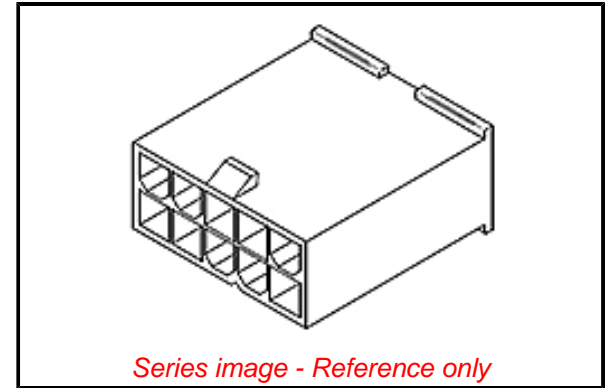
Current - Maximum per Contact 13.0A

**Solder Process Data**

Lead-freeProcess Capability N/A

**Material Info**

Engineering Number 5559-02P1



**EU ELV**

**Compliant**

**EU RoHS**

**Compliant**

**REACH SVHC**

Not Contained Per - ED/61/2018 (27 June 2018)

**Halogen-Free**

**Status**

**Low-Halogen**

**Need more information on product environmental compliance?**

Email [productcompliance@molex.com](mailto:productcompliance@molex.com)  
 Please visit the [Contact Us](#) section for any non-product compliance questions.

China ROHS

ELV

RoHS Phthalates

Green Image

Compliant

Not Contained

**Search Parts in this Series**

[5559](#) Series

**Mates With**

Receptacle Housing [39-01-3028](#) .  
 Receptacle Housing [39-01-2025](#) <br>Mini-Fit Jr. TPA Cable Assembly [45135](#) <br>Mini-Fit Jr. Cable Assembly [245135](#)

**Use With**

[5558](#) Mini-Fit Jr. Male Crimp Terminals.  
[30490](#) Mini-Fit Male Grounding Crimp Terminals <br> [46012](#) Mini-Fit Plus Crimp Terminal

This document was generated on 08/02/2018

**PLEASE CHECK [WWW.MOLEX.COM](http://WWW.MOLEX.COM) FOR LATEST PART INFORMATION**