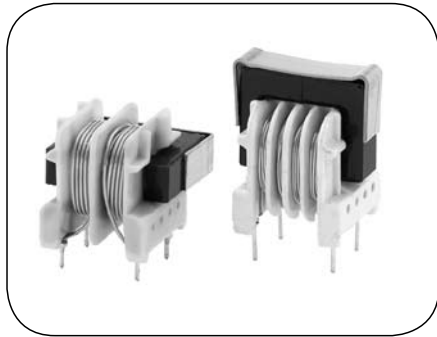


LFU16 Series Line Filters



Features

- Broad frequency attenuation
- UU cores for compact design
- Wide selection available
- Custom designs available

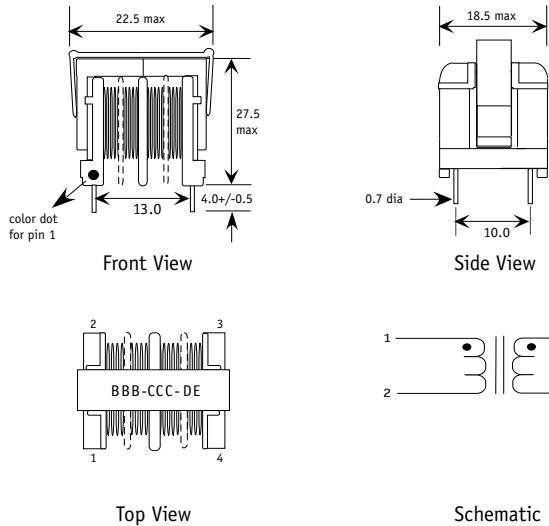
Applications

- Off-Line Switch Mode Power Supplies
- Conducted EMI Filters
- Office Equipment
- Medical Equipment

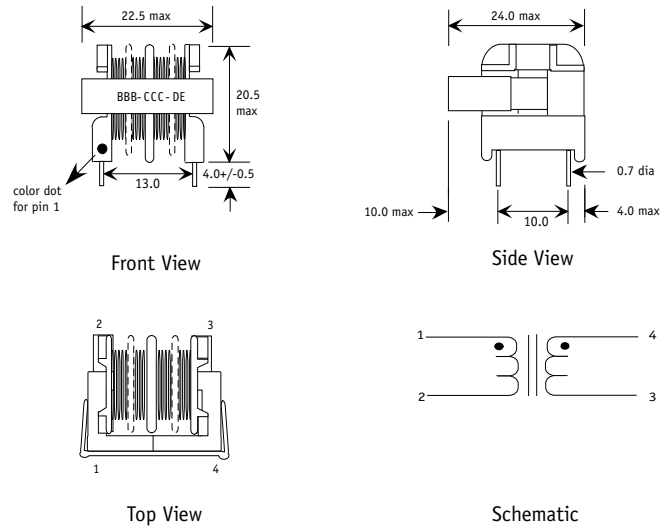
Packaging

Horizontal: Tray=48 pieces, Box=12 trays, Box=576 pieces
Vertical: Tray=100 pieces, Box=12 trays, Box=1200 pieces

LFU16 Vertical



LFU16 Horizontal



units: mm

Electrical Specifications

Part Number	Inductance ¹ (mH nom.)	Inductance ¹ (mH min.)	DCR (Ω max.)	Rated ⁵ Current (A)	SRF (kHz, typ.)
LFU16-060-313-2_	44.22	30.95	0.73	0.6	177
LFU16-080-193-2_	27.19	19.03	0.42	0.8	184
LFU16-130-103-2_	14.86	10.4	0.25	1.3	284
LFU16-170-772-2_	11.06	7.74	0.17	1.7	353
LFU16-200-492-2_	7	4.9	0.12	2	404
LFU16-250-412-2_	5.84	4.09	0.085	2.5	476
LFU16-080-213-4_	29.6	20.72	0.6	0.8	379
LFU16-100-123-4_	16.66	11.66	0.35	1	537
LFU16-150-522-4_	7.4	5.18	0.18	1.5	901
LFU16-180-272-4_	3.86	2.7	0.11	1.8	1420
LFU16-230-232-4_	3.29	2.3	0.08	2.3	1475
LFU16-280-192-4_	2.76	1.93	0.065	2.8	1486

1. Tested at 1 kHz, 0.1 Vrms, series.
2. Electrical specs at 25° C.
3. Operating range: -40° C to +130° C.
4. Meets UL 94V-0.
5. Rated current produces a temperature rise of 40° C.
6. Specify H or V at end of part number for horizontal or vertical core arrangement.



IMPEDANCE VS. FREQUENCY

